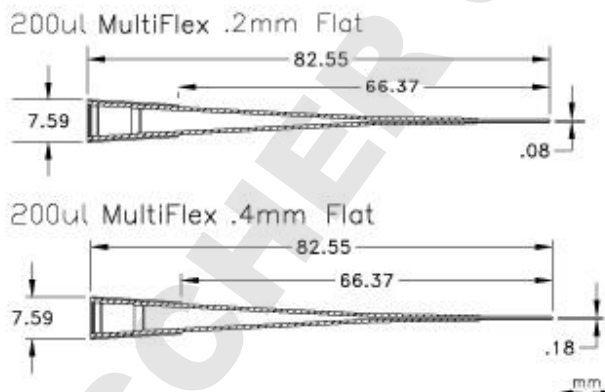




200 µl (1 - 200 µl) MultiFlex Flat - Catalog #17310



Catalog #

17310

Description

Natural, Polypropylene

Packaging Type

Gel Loading Tips

Packaging Details

Non-Sterile, Racked, 200 Tips/Pack, 4 Packs/Case, Flex Rack

Attributes



Certified RNase/DNase Free
 Certified Human DNA Free
 Certified PCR Inhibitor Free
 Certified Pyrogen Free

Material: Polypropylene

Volume Range: 1-200 µl

Grad Lines: 5 µl

Orifice Outside Diameter: 0.17 mm