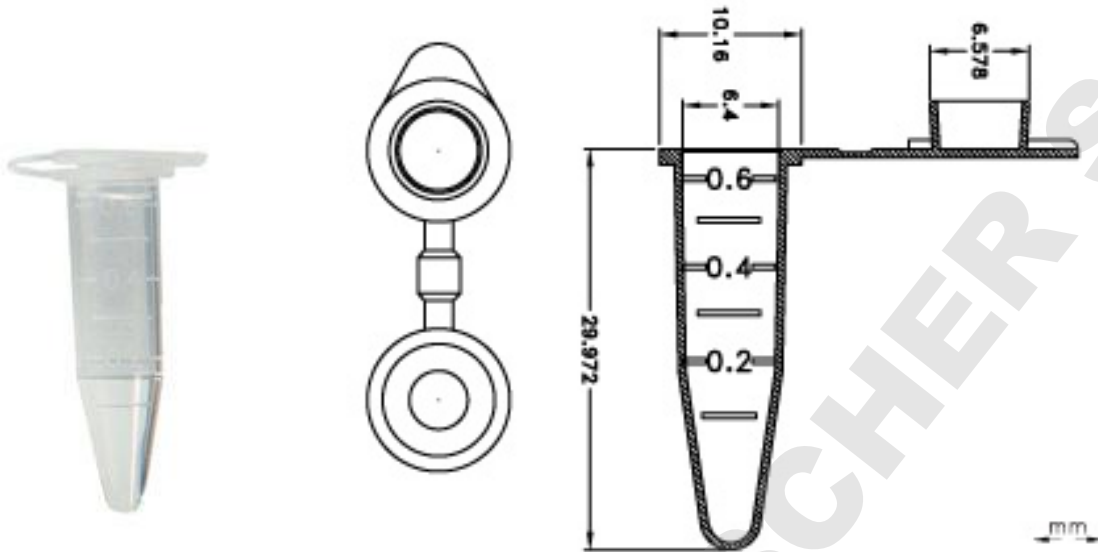


0.65 ml Safeseal MCT - Catalog #17030



Catalog

17030

Description

Natural, Polypropylene

Packaging Details

Non-Sterile, 1,000 Tubes/Bag, 20 Bags/Case

Attributes



Grad Lines: Yes

Certified RNase/DNase Free
Certified Human DNA Free
Certified PCR Inhibitor Free
Certified Pyrogen Free