

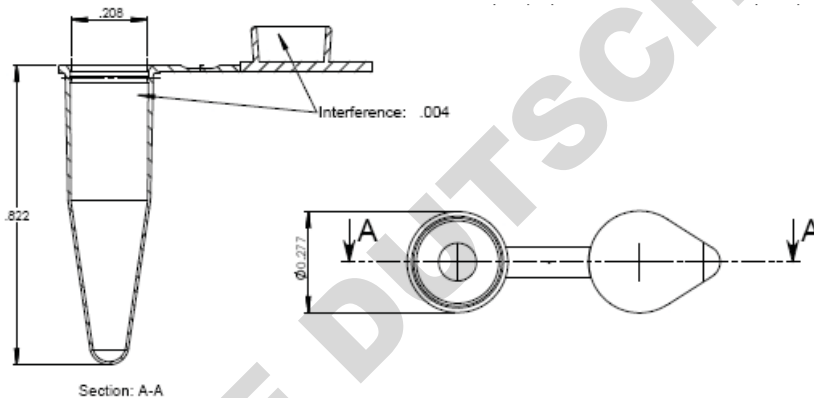
Sorenson BioScience Product Specification Sheet

ultraAmp™ 0.2ml PCR Tubes



Attributes-

Material: Polypropylene
Certified RNase/DNase Free
Certified PCR Inhibitor Free
Certified Human DNA Free
Certified Pyrogen Free



Features & Function-

- Attached cap minimizes the risk of carry-over contamination.
- Thin wall design provides maximum PCR efficiency.
- Fits most popular thermal cyclers
- Domed cap available (picture not shown)

Cat #	Description	Packaging
16950	Flat Cap, 0.2ml PCR Tube, Natural	1,000 tubes/bag; 10 bags/cs
16960	Flat Cap, 0.2ml PCR Tube, Red	1,000 tubes/bag; 10 bags/cs
16970	Flat Cap, 0.2ml PCR Tube, Blue	1,000 tubes/bag; 10 bags/cs
16980	Flat Cap, 0.2ml PCR Tube, Green	1,000 tubes/bag; 10 bags/cs
16990	Flat Cap, 0.2ml PCR Tube, Yellow	1,000 tubes/bag; 10 bags/cs
23190	Domed Cap, 0.2ml PCR Tube, Natural	500 tubes/bag; 10 bags/cs

