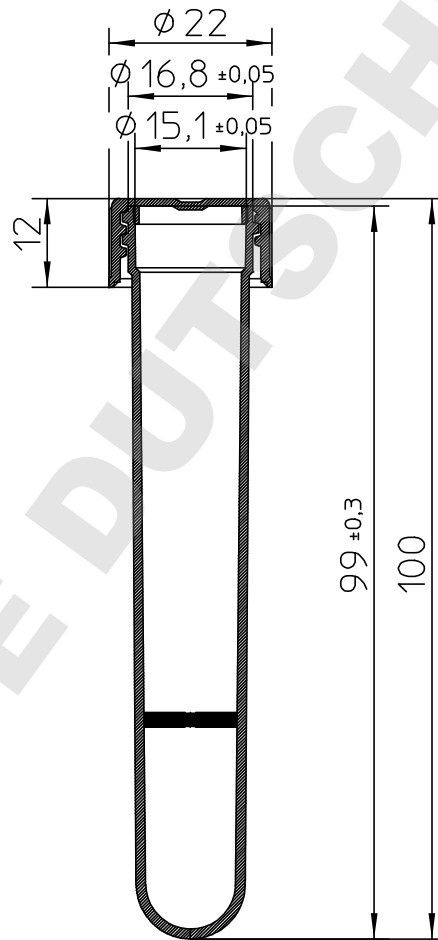


Valid for Item-No.: 163288, 163289, 163290



Only layout change, no design change of the product.  
Prior drawing No. AC-16328x/ 163290/ Rev 02/ August 21, 2009

"All dimensions in mm"

Customer drawing subject to change without notice!

Uncontrolled Copy

| Prior Issue | Drawn              | Approved           | Released           | CONFIDENTIAL: Information contained in this document or drawing is confidential and proprietary to Greiner Bio-One GmbH. This document may not be reproduced for any reason without written permission from Greiner Bio-One GmbH. All rights of design, invention, and copyright are reserved. |
|-------------|--------------------|--------------------|--------------------|--|
| Revision    | Date<br>2011/06/06 | Date<br>2011/06/06 | Date<br>2011/06/06 |  |
| Date        | Name<br>falter     | Name<br>falter     | Name<br>sonntag    |  |