

NOT TO SCALE

127.76 ±0.25

12.13 ±0.25

4.50 ±0.025

9.50 ±0.25

8.99 ±0.25

4.50 ±0.025

85.48 ±0.25

2.00 ±0.25

25.00

25.00

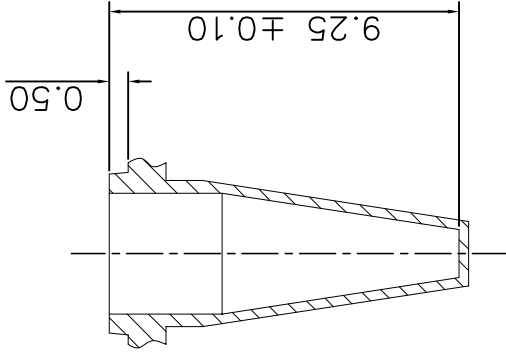
17.50

4.00 (x8)

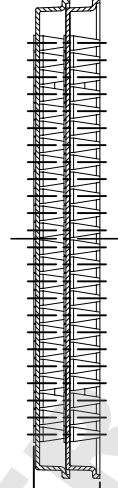
25.00

25.00

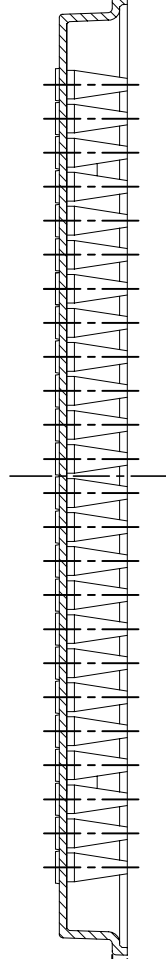
Copyright ABgene®
This drawing and/or any technical information relating to it is issued in strict confidence and may not be reproduced or used for manufacture without written permission. Upon receipt of which it is the users responsibility to seek confirmation of any dimensions and production tolerances.



VIAL FORM 384pos



PLATES STACKED



SECTION ON CENTRE LINE

TITLE

Thermo-Fast® 384 PCR Plate

DRG. NO.

AB-1384

ISSUE

A

DATE

9/7/04

Pub No. MAN0014446

All dimensions in mm