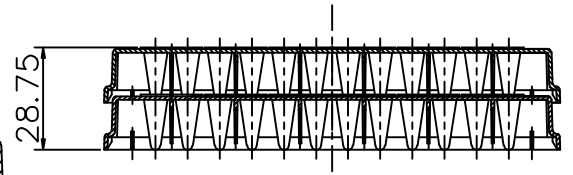
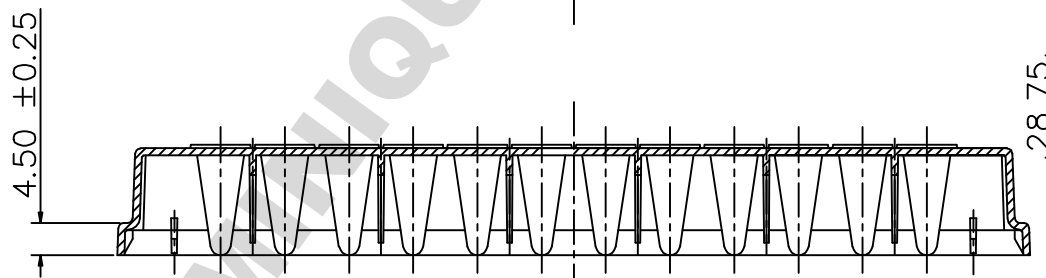
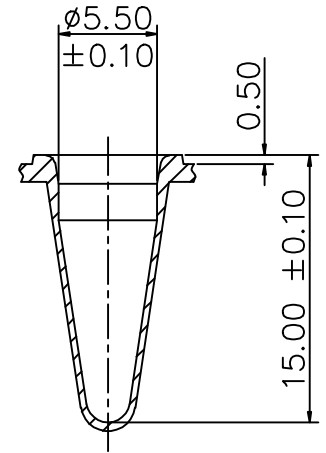
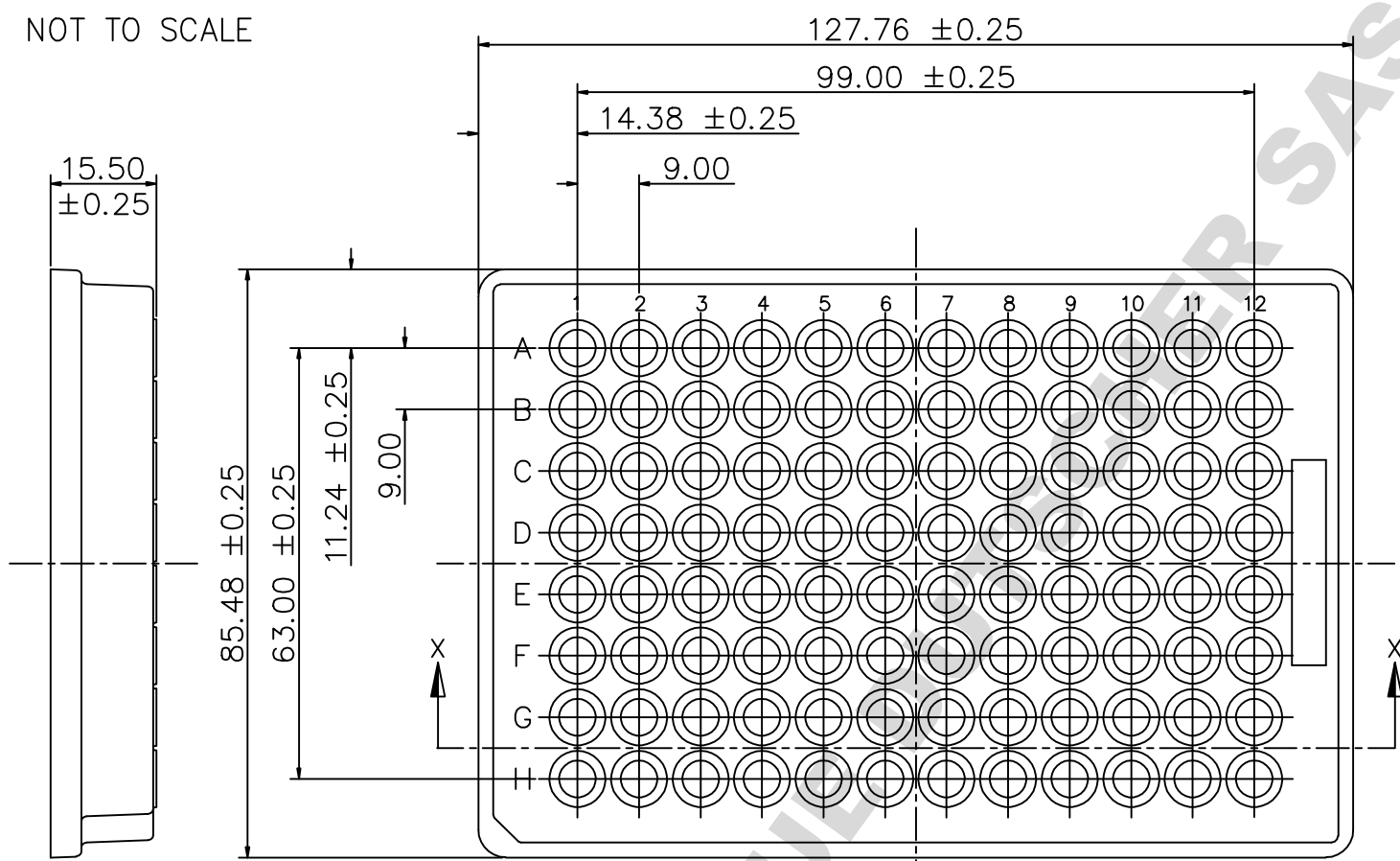


NOT TO SCALE

Copyright Thermo Fisher Scientific
This drawing and/or any technical information relating to it is issued in strict confidence and may not be reproduced or used for manufacture without written permission. Upon receipt of which it is the users responsibility to seek confirmation of any dimensions and production tolerances.



SECTION X-X

PLATES STACKED

TITLE
V-Bottomed 96-Well
Storage Plate

Pub No. MAN0014414
All dimensions in mm

DRG. NO.	AB-1058	ISSUE	D	DATE	20/05/14
----------	---------	-------	---	------	----------