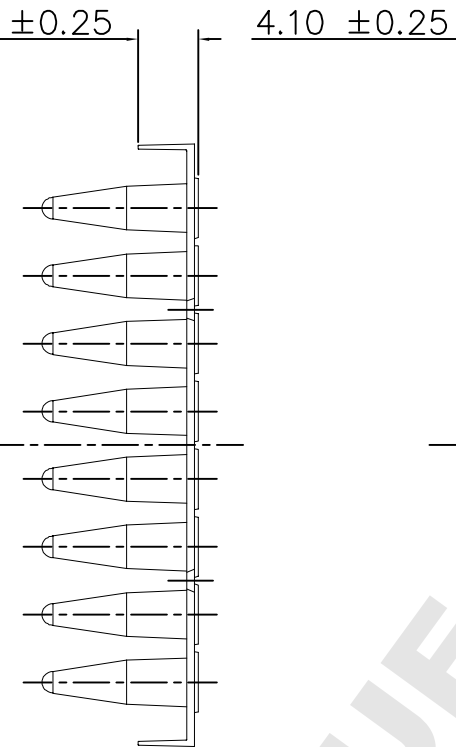
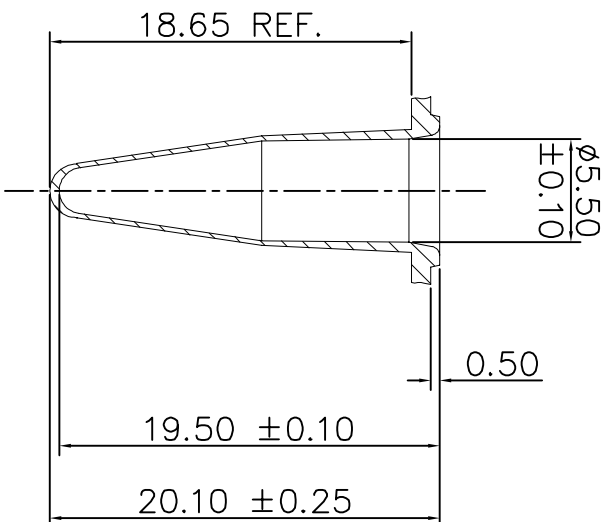
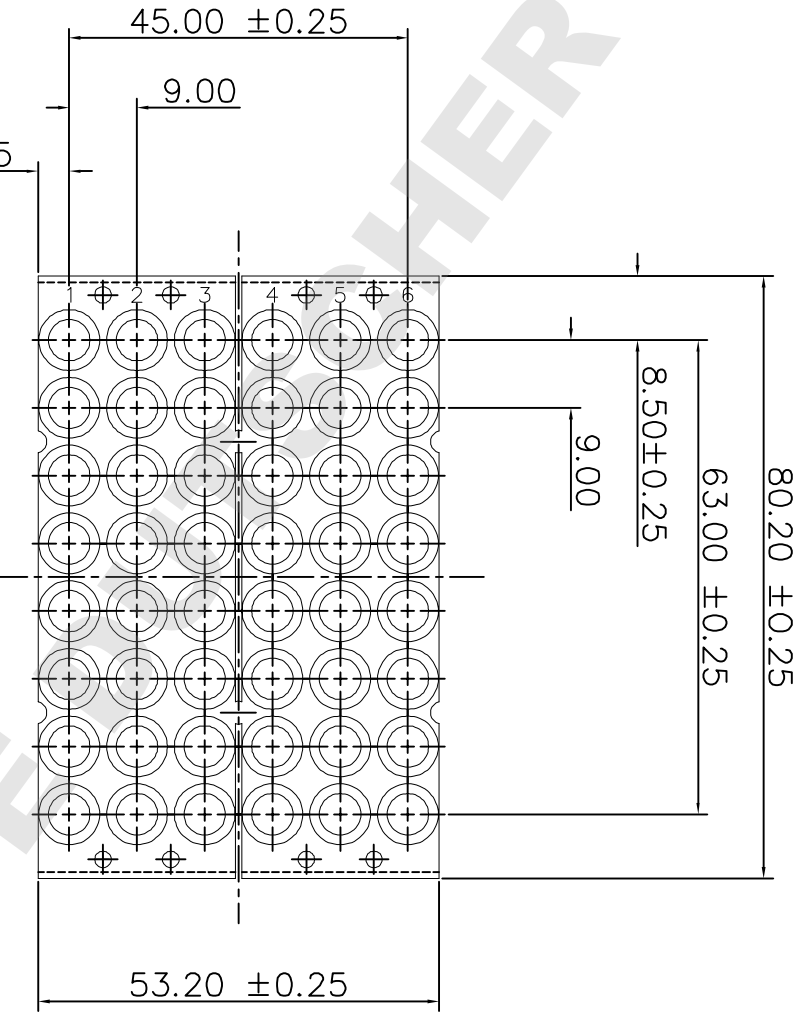
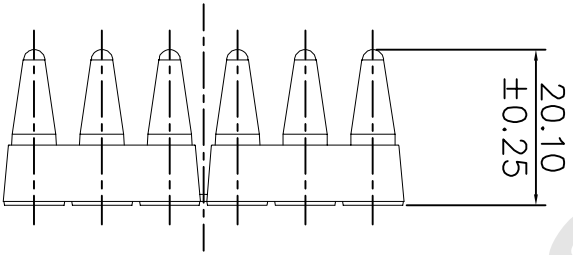


NOT TO SCALE

Copyright Thermo Fisher Scientific  
This drawing and/or any technical information relating to it is issued in strict confidence and may not be reproduced or used for manufacture without written permission. Upon receipt of which it is the users responsibility to seek confirmation of any dimensions and production tolerances.



VIAL FORM 24pos

TITLE  
Thermo-Fast® 48 PCR Plate

DRG. NO. AB-0648  
ISSUE C  
DATE 8/2/13

All dimensions in mm