

NOT TO SCALE

120.00 ±0.25

99.00 ±0.25

10.50 ±0.25

9.00

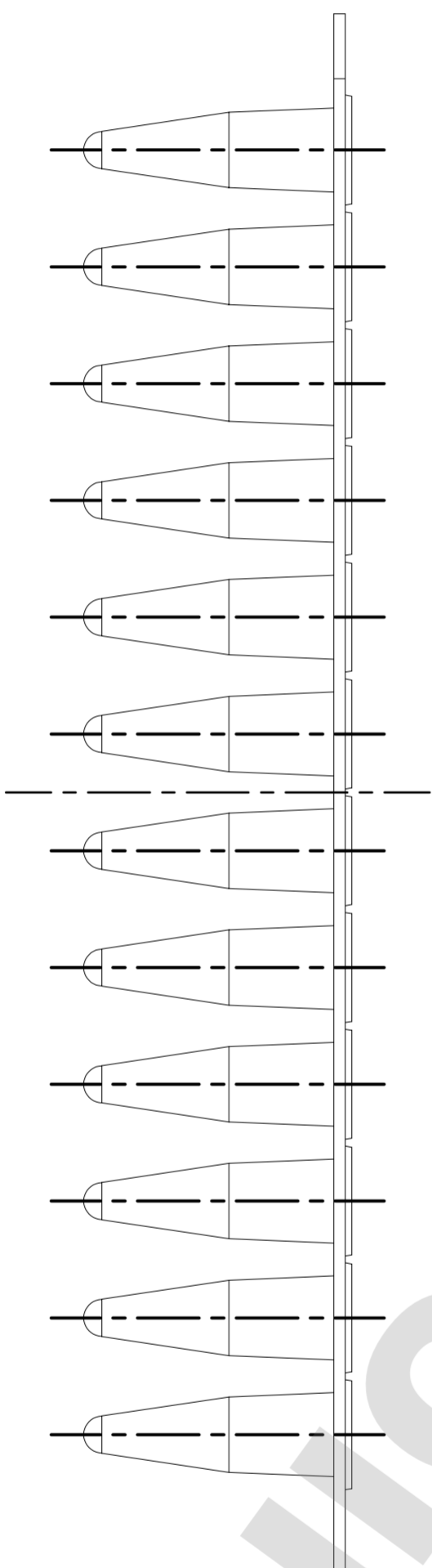
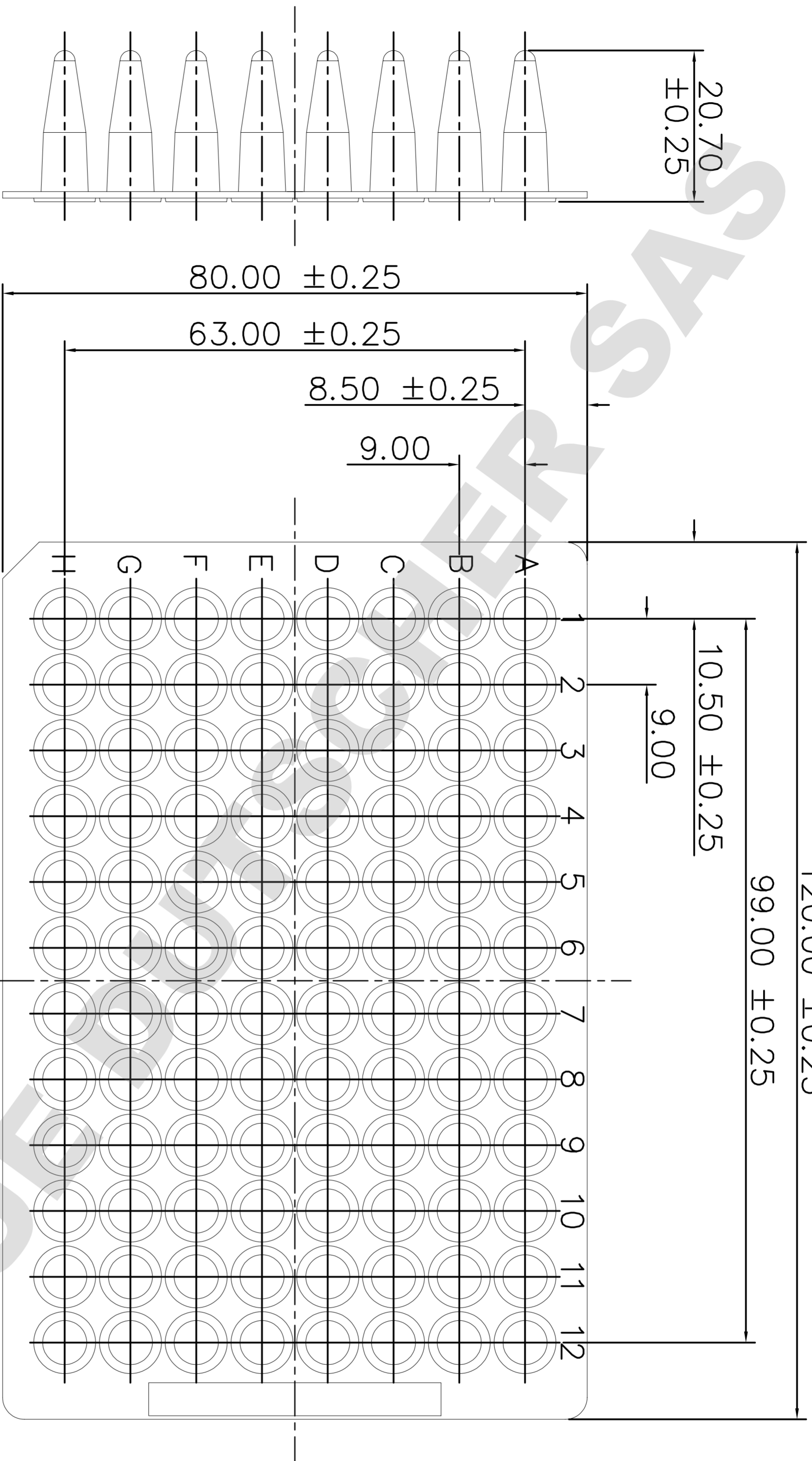
20.70
±0.25

80.00 ±0.25

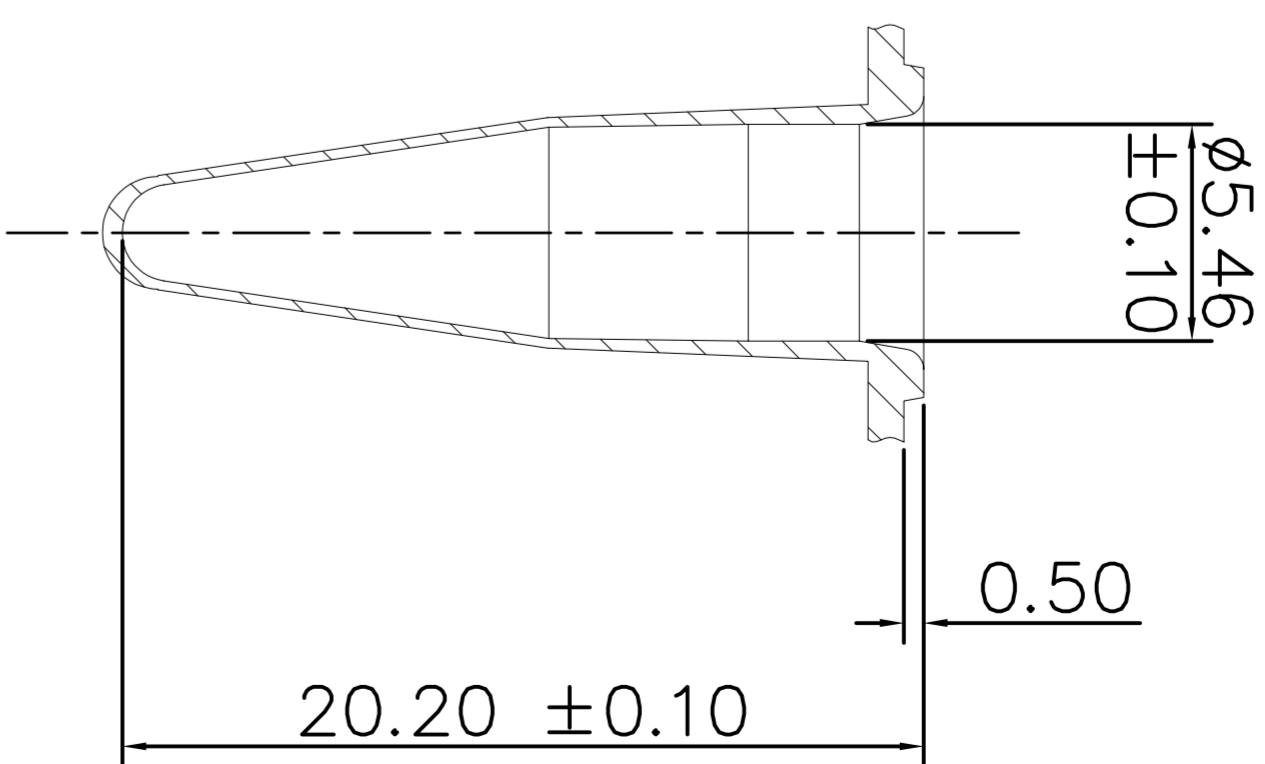
63.00 ±0.25

8.50 ±0.25

9.00



Copyright ABgene®
This drawing and/or any technical information relating to it is issued in strict confidence and may not be reproduced or used for manufacture without written permission. Upon receipt of which it is the users responsibility to seek confirmation of any dimensions and production tolerances.



VIAL FORM 96pos

TITLE
Thermo-Fast® 96 PCR Plate
Non-Skirted

All dimensions in mm

DRG. NO.	ISSUE	DATE
AB-0600	B	9/4/00