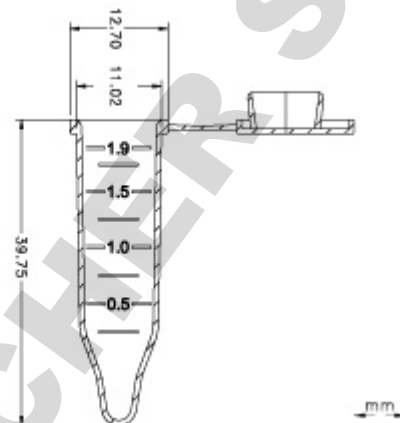


2.0 ml Dolphin MCT - Catalog #16140



Catalog #	Description
16140	Natural, Polypropylene

**Packaging Details**

Non-Sterile, Bulk Bag, 1,000 Tubes/Bag, 5 Bags/Case

**Attributes**

**Grad Lines:** Yes



Certified RNase/DNase Free  
 Certified Human DNA Free  
 Certified PCR Inhibitor Free  
 Certified Pyrogen Free

DOMINIQUE DUTSCHER SAS