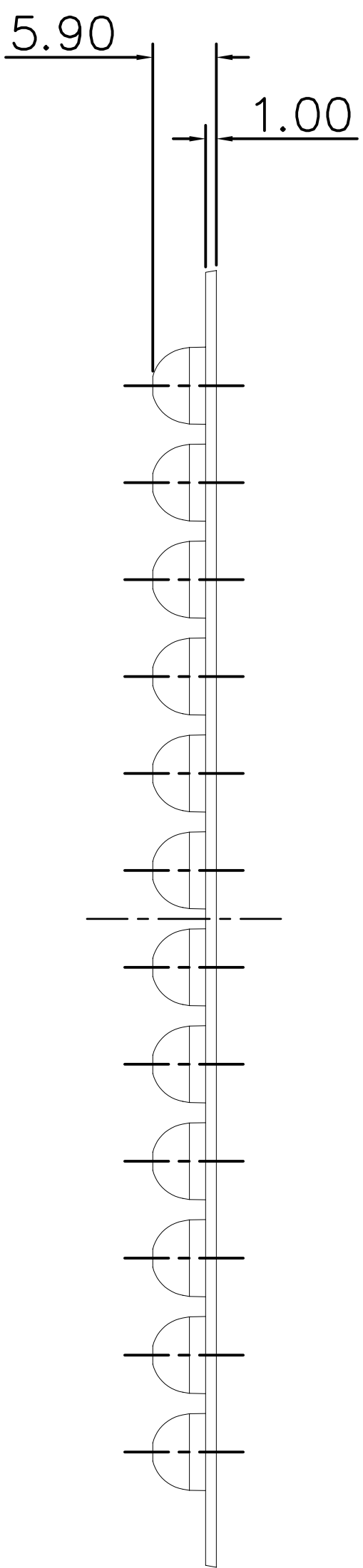
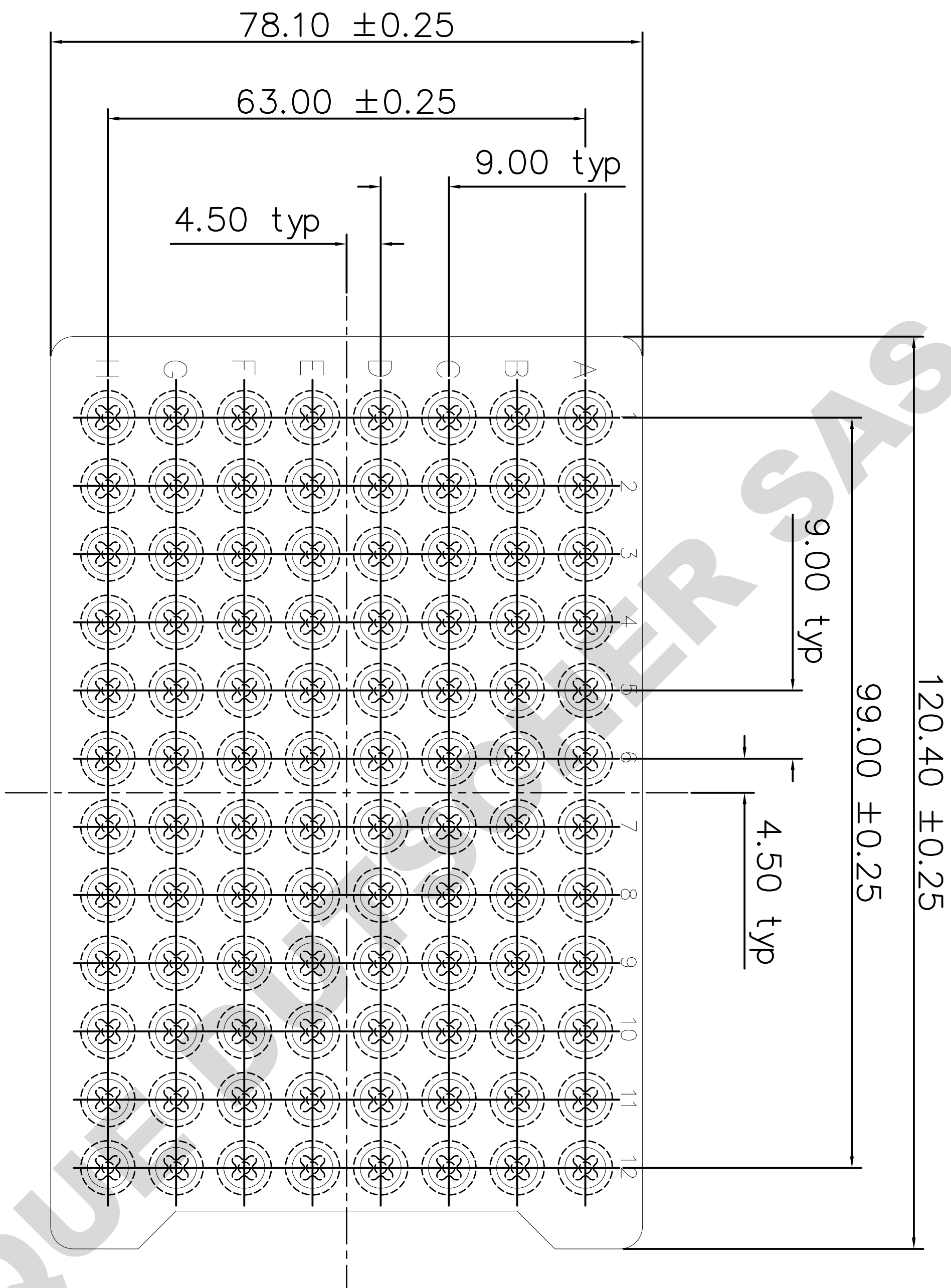
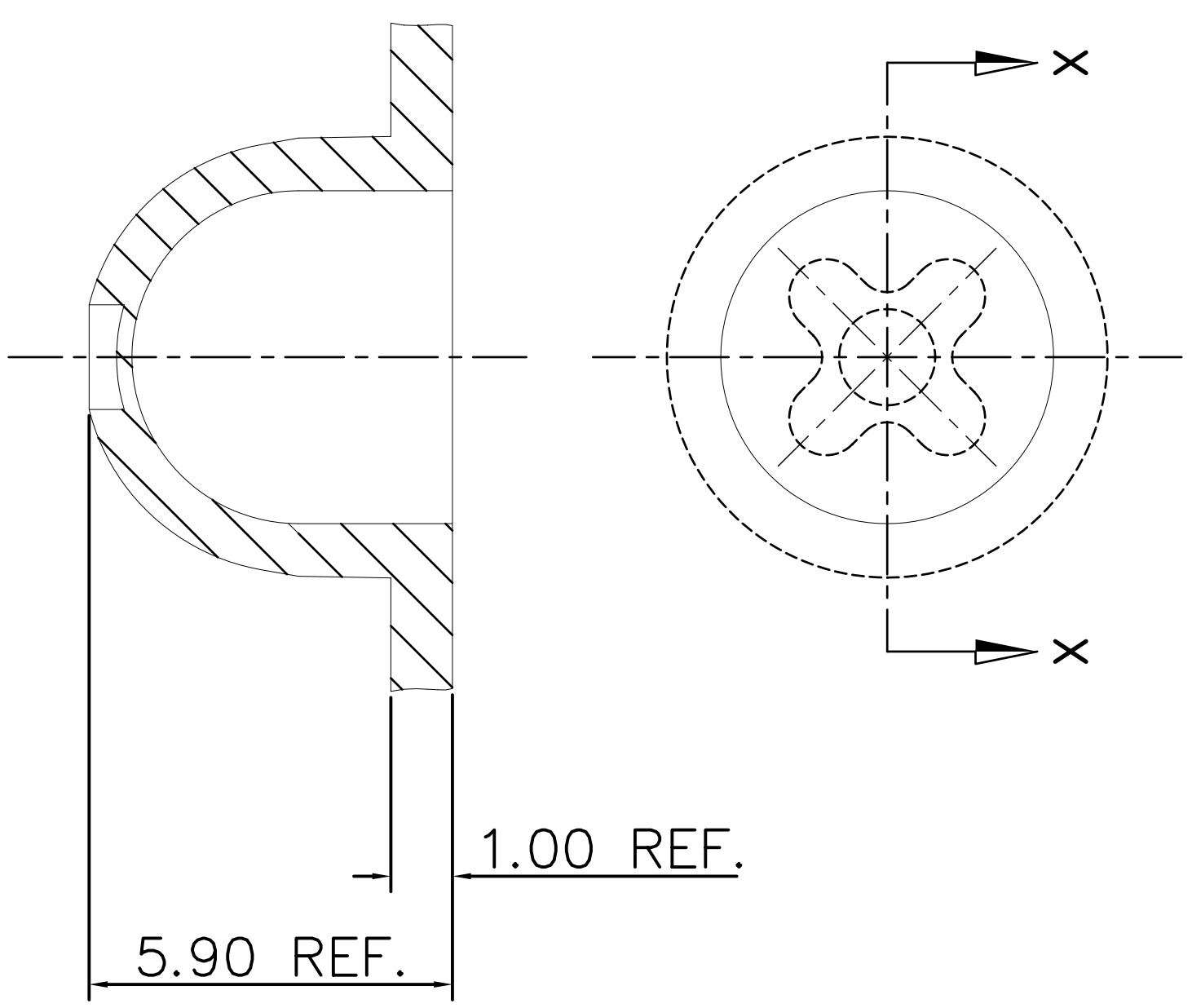


Copyright ThermoFisher Scientific
 This drawing and/or any technical information relating to it is issued in strict confidence and may not be reproduced or used for manufacture without written permission. Upon receipt of which it is the users responsibility to seek confirmation of any dimensions and production tolerances.



FORM DETAIL 96pos



SECTION X-X

| | | |
|---------------------------------|----------|--------|
| TITLE | | |
| 1.2ml Deep Well Plate Mat Mk. 1 | | |
| DRG. NO. | ISSUE | DATE |
| AB-0566 | ORIGINAL | 5/5/11 |

All dimensions in mm