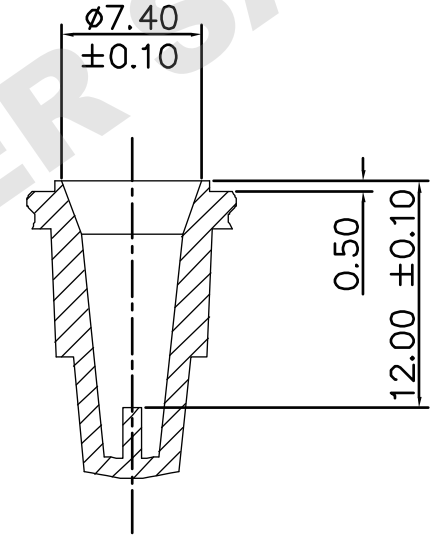
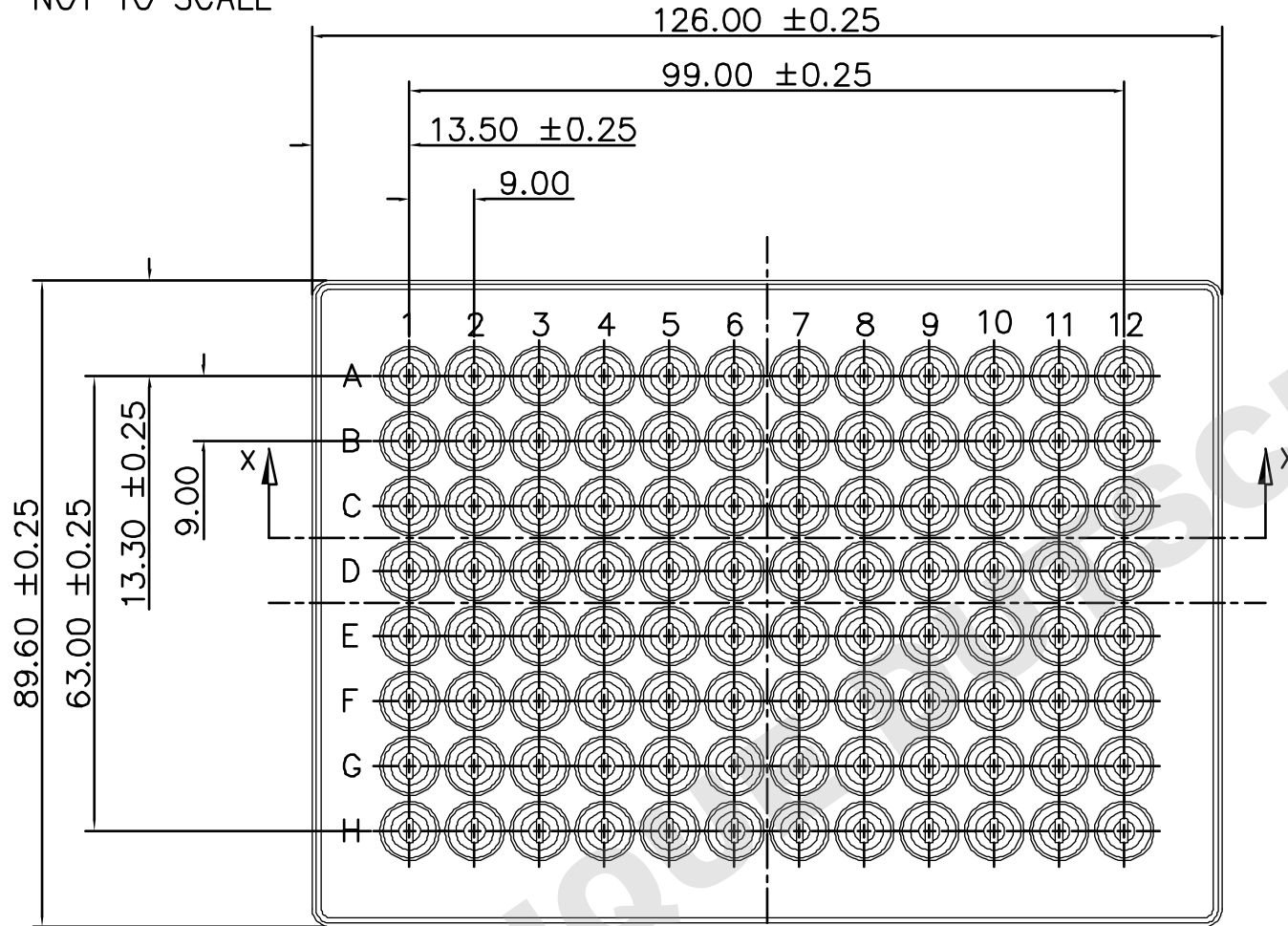
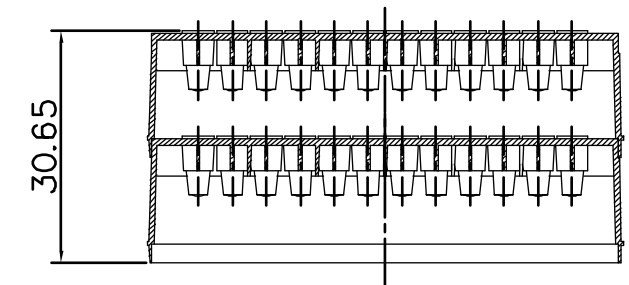


NOT TO SCALE

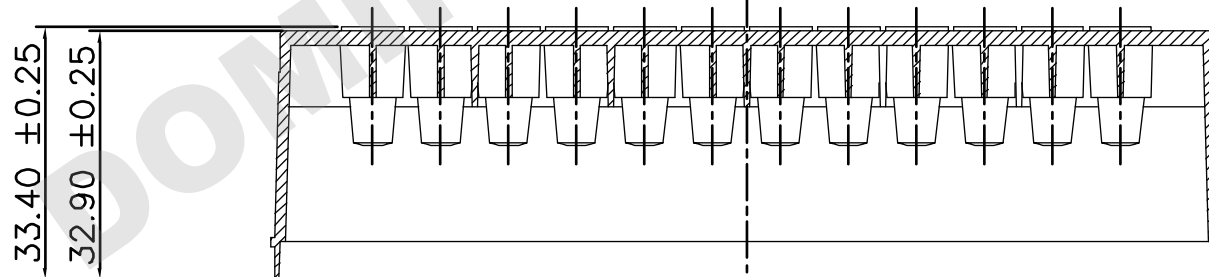
Copyright Thermo Fisher Scientific  
This drawing and/or any technical information relating to it is issued in strict confidence and may not be reproduced or used for manufacture without written permission. Upon receipt of which it is the users responsibility to seek confirmation of any dimensions and production tolerances.



WELL FORM 96pos



PLATES STACKED



SECTION X-X

All dimensions in mm

TITLE		
Work Station/Stacking System		
DRG. NO.	ISSUE	DATE
AB-0538	ORIGINAL	18/8/05