

NOT TO SCALE

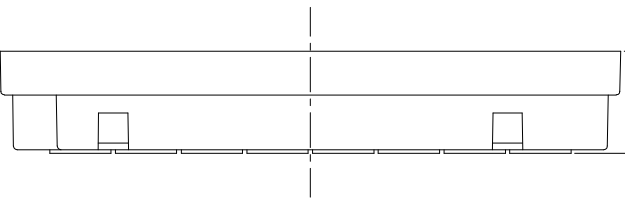
127.76 ±0.25

99.00 ±0.25

14.38 ±0.25

9.00

14.00 ±0.25

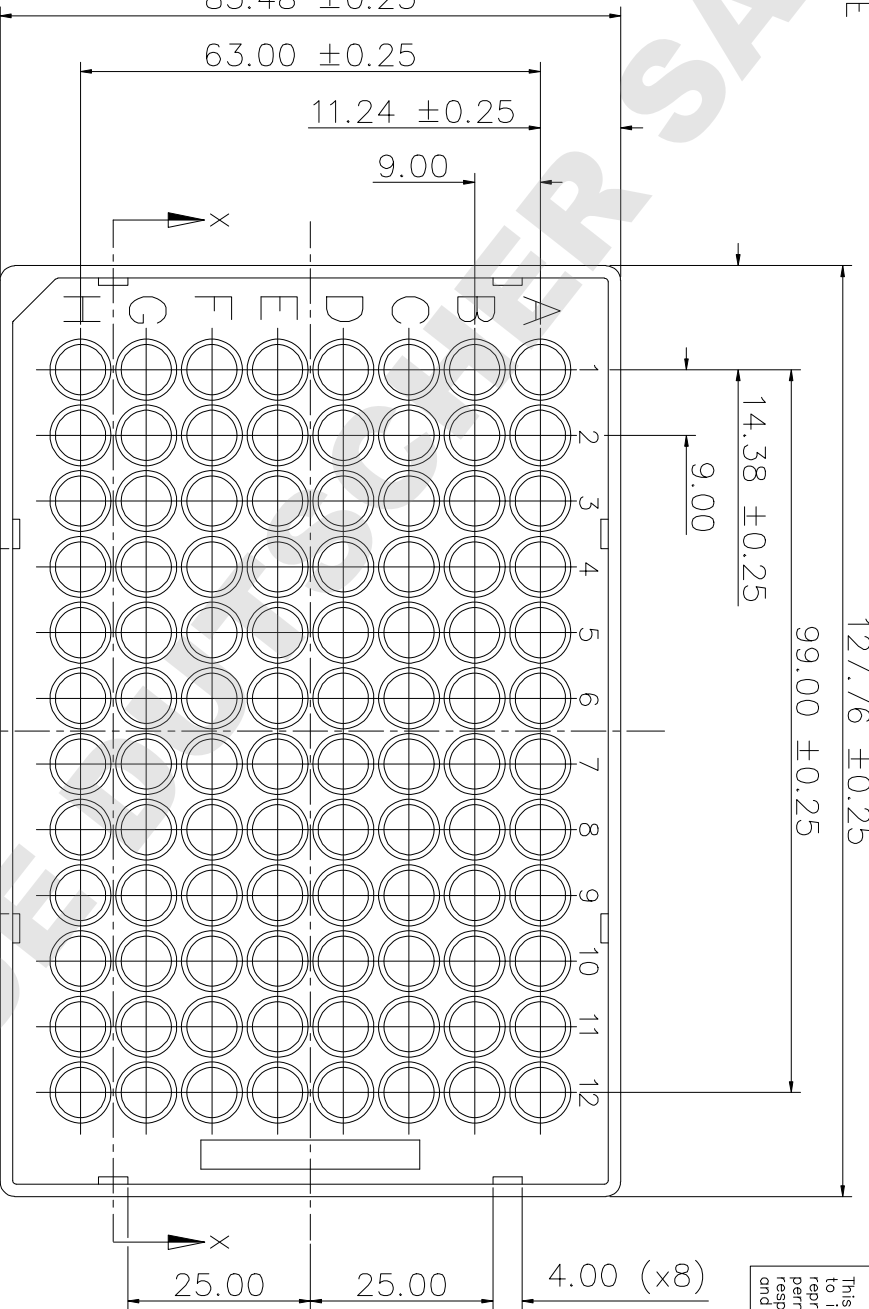


85.48 ±0.25

63.00 ±0.25

11.24 ±0.25

9.00

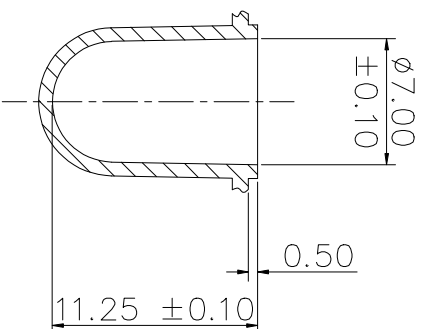


4.00 (x8)

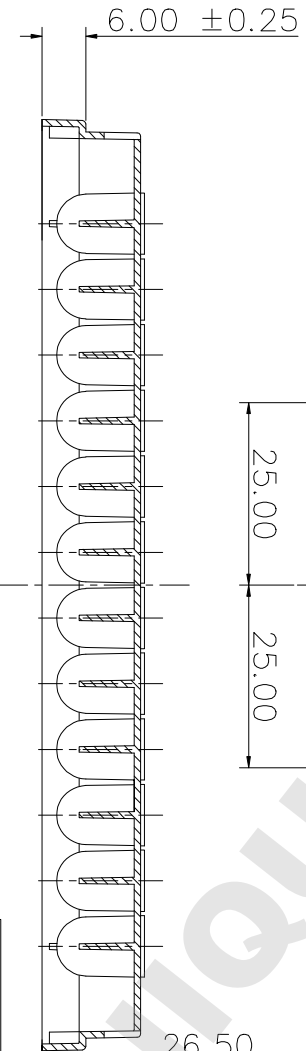
25.00

25.00

VIAL FORM 96pos



6.00 ±0.25

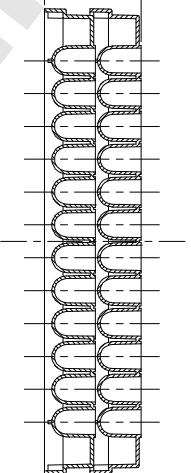


25.00

25.00

26.50

PLATES STACKED



SECTION X-X

TITLE

96 - Well Microwell Plate

DRG. NO.

AB-0796

ISSUE

F

DATE

7/5/02

All dimensions in mm

Copyright Thermo Fisher Scientific  
 This drawing and/or any technical information relating to it is issued in strict confidence and may not be reproduced or used for manufacture without written permission. Upon receipt of which it is the users responsibility to seek confirmation of any dimensions and production tolerances.