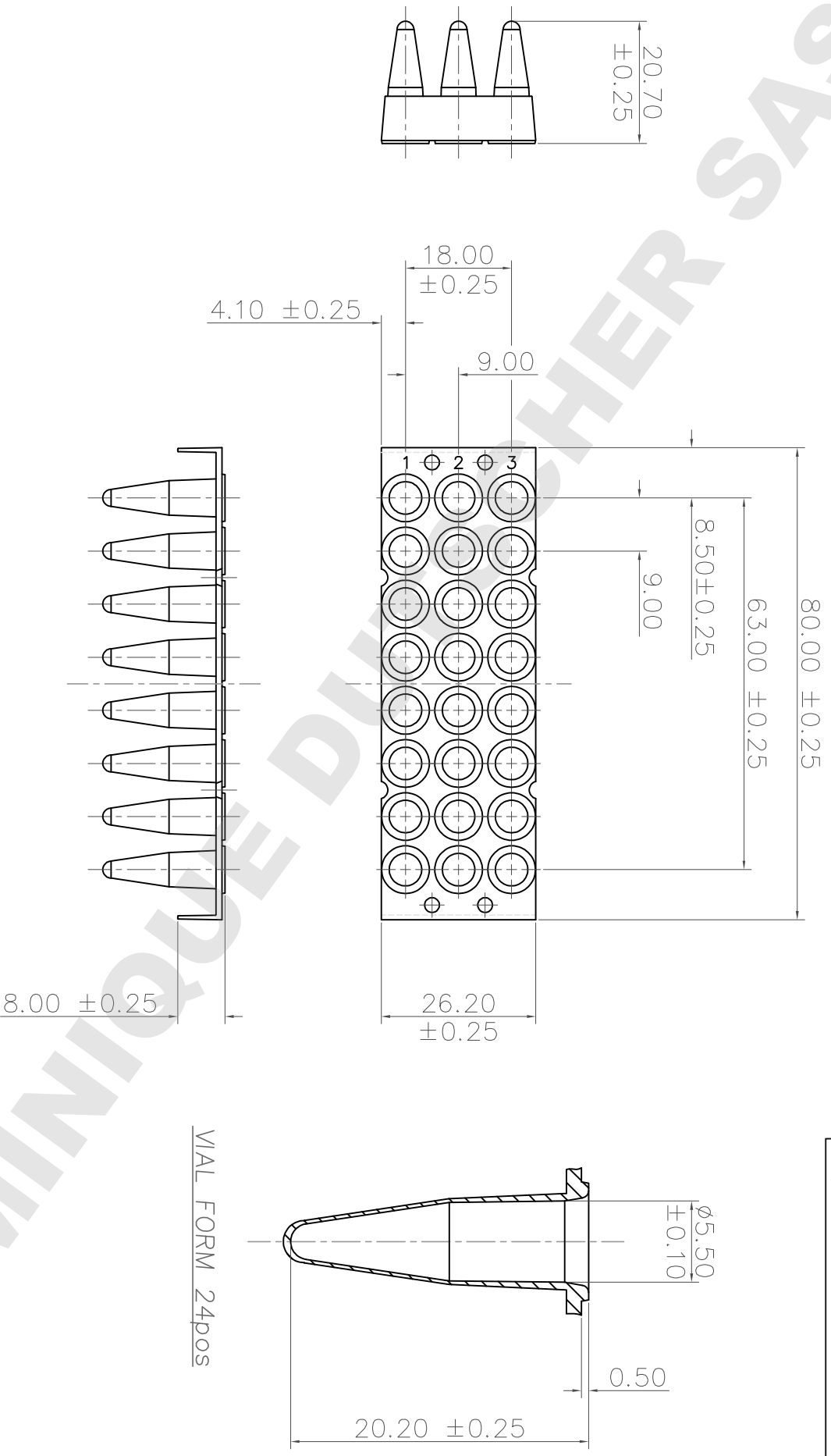


NOT TO SCALE

Copyright ABgene®

This drawing and/or any technical information relating to it is issued in strict confidence and may not be reproduced or used for manufacture without written permission. Upon receipt of which it is the users responsibility to seek confirmation of any dimensions and production tolerances.



VIAL FORM 24pos

TITLE		
Thermo-Fast® 24 PCR Plate		
DRG. NO.	ISSUE	DATE
AB-0624	B	27/2/06

All dimensions in mm