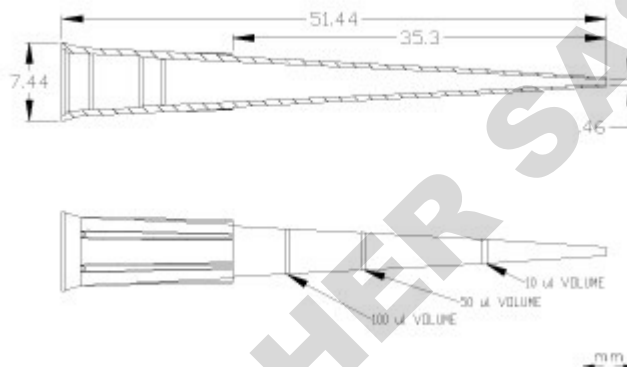


200 µl (1-200 µl) Standardization - Catalog #015720



Catalog #

Description

15720

Natural, Polypropylene

Packaging Type

Packaging Details

Bulk Tips

Non-Sterile, Bulk, 1,000 Tips/Bag, 10 Bags/Case , Bulk Pack

Attributes



Volume Range: 1-200 µl

Grad Lines: 10, 50, 100 µl

Certified Human DNA Free
 Certified PCR Inhibitor Free
 Certified Pyrogen Free