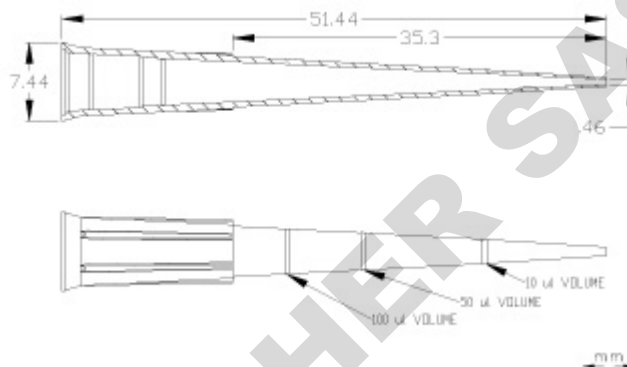


200 µl (1-200 µl) Standardization - Catalog #15370



Catalog #

Description

15370

Yellow, Polypropylene, Sterile

Packaging Type

Packaging Details

Racked Tips

Sterile, 96 Tips/Rack, 10 Racks/Pack, 5 Packs/Case, Cell Rack

Attributes



Certified Human DNA Free
 Certified PCR Inhibitor Free
 Certified Pyrogen Free

Volume Range: 1-200 µl

Grad Lines: 10, 50, 100 µl