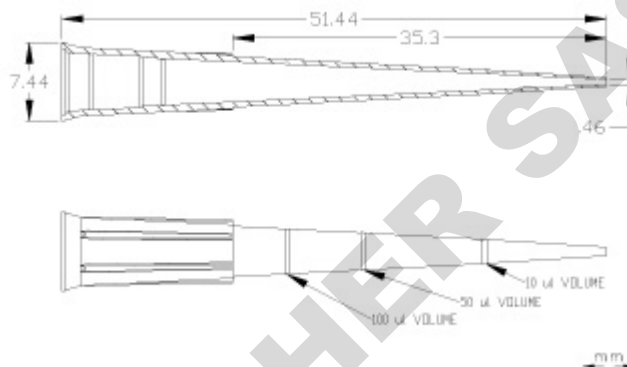


200 µl (1-200 µl) Standardization - Catalog #15360



Catalog # **Description**

15360 Yellow, Polypropylene

Packaging Type

Packaging Details

Racked Tips

Non-Sterile, 96 Tips/Rack, 10 Racks/Pack, 5 Packs/Case, Cell Rack

Attributes



Certified Human DNA Free
Certified PCR Inhibitor Free
Certified Pyrogen Free

Volume Range: 1-200 µl

Grad Lines: 10, 50, 100 µl