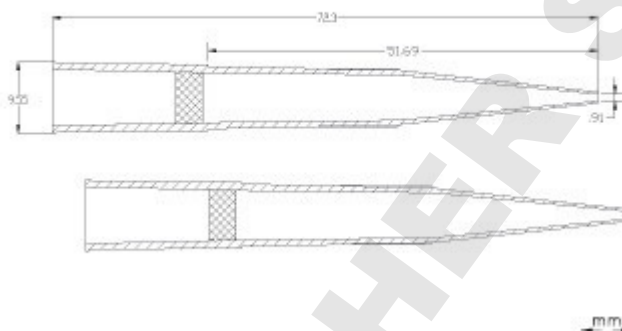


1000 µl (100-1000 µl) Barrier - Catalog #14200



Catalog #	Description
14200	Natural, Polypropylene, Sterile

Packaging Type	Packaging Details
Racked Tips	Sterile, 100 Tips/Rack, 10 Racks/Pack, 5 Packs/Case, Standard Rack

Attributes



Material: Polypropylene
Volume Range: 100-1000 µl
Grad Lines: No Graduations

Certified RNase/DNase Free
 Certified Human DNA Free
 Certified PCR Inhibitor Free
 Certified Pyrogen Free

DOMINIQUE DUTSCHER SAS