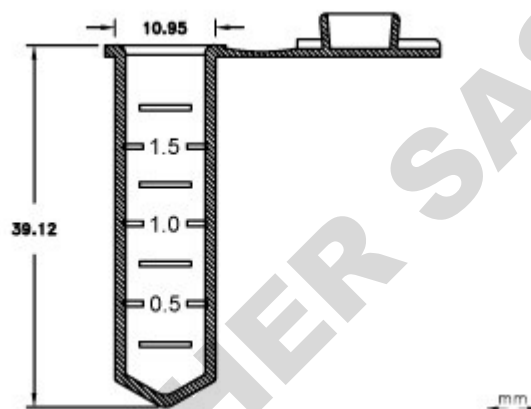




2.0 ml Safeseal MCT - Catalog #12040



| Catalog # | Description |
|-----------|-----------------------|
| 12040 | Yellow, Polypropylene |

Packaging Details

Non-Sterile, Bulk Bag, 400 Tubes/Bag, 10 Bags/Case

Attributes

Grad Lines: Yes



Certified RNase/DNase Free
 Certified Human DNA Free
 Certified PCR Inhibitor Free
 Certified Pyrogen Free