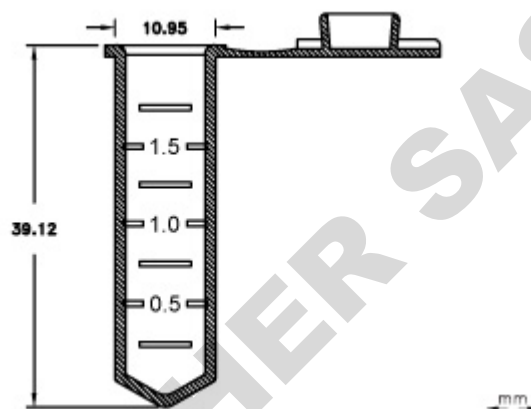


2.0 ml Safeseal MCT - Catalog #12000



Catalog #	Description
12000	Natural, Polypropylene

Packaging Details

Non-Sterile, Bulk Bag, 400 Tubes/Bag, 10 Bags/Case

Attributes

Grad Lines: Yes



Certified RNase/DNase Free
 Certified Human DNA Free
 Certified PCR Inhibitor Free
 Certified Pyrogen Free