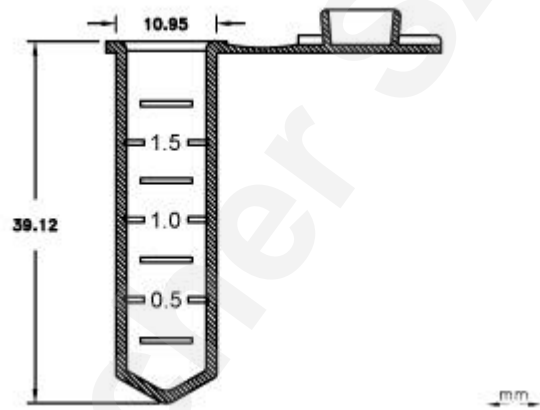




## 2.0 ml Safeseal MCT - Catalog #12000



Catalog #	Description
12000	Natural, Polypropylene

### Packaging Details

Non-Sterile, Bulk Bag, 400 Tubes/Bag, 10 Bags/Case

### Attributes



Grad Lines: Yes

Certified RNase/DNase Free  
 Certified Human DNA Free  
 Certified PCR Inhibitor Free  
 Certified Pyrogen Free