

## TECHNICAL DATA SHEET

<b>Part number</b>	011720
<b>Description</b>	Tubes



### Description :

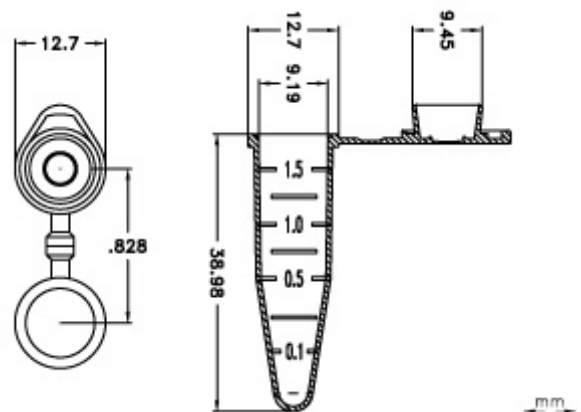
- ✓ Material : polypropylene
- ✓ Low binding
- ✓ Natural

### Certificates :

- ✓ Certified RNase/DNase Free
- ✓ Certified Human DNA Free
- ✓ Certified PCR Inhibitor Free
- ✓ Certified Pyrogen Free

### Technical characteristics :

- ✓ Volume : 1,7 ml
- ✓ Grad Lines : yes



### Piece by sales :

1000 Tubes