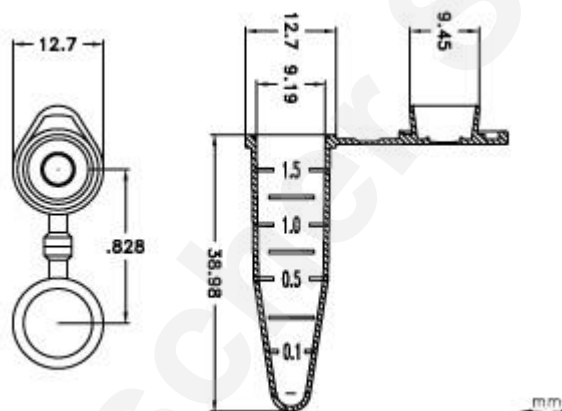




1.7 ml Safeseal MCT - Catalog #11590



Catalog #	Description
11590	Rainbow Pack, Polypropylene
Packaging Details	
Non-Sterile, Bulk, 500 Tubes/Bag, 10 Bags/Case	
Attributes	



Grad Lines: Yes

Certified RNase/DNase Free
 Certified Human DNA Free
 Certified PCR Inhibitor Free
 Certified Pyrogen Free