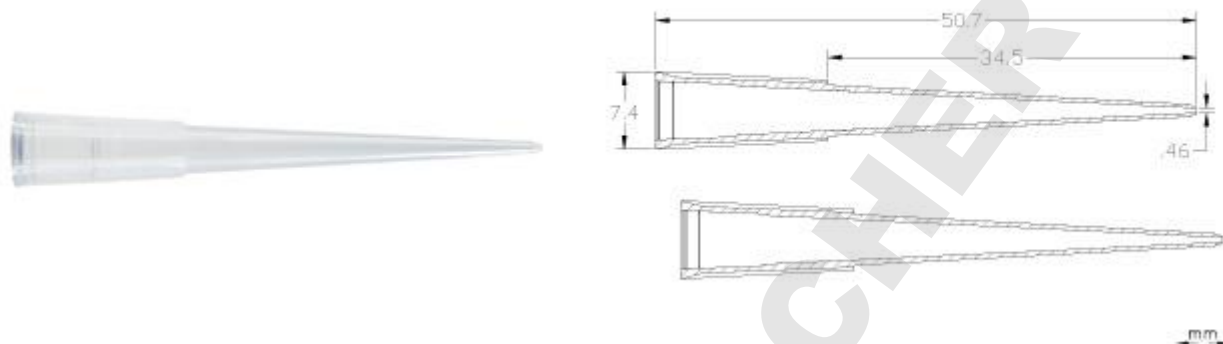


200 µl (1-200 µl) - Catalog #10470



Catalog #	Description
10470	Natural, Polypropylene
Packaging Type	Packaging Details
Bulk Tips	Non-Sterile, Bulk, 1,000 Tips/Bag, 10 Bags/Case , Bulk Pack
Attributes	



Certified Human DNA Free  
 Certified PCR Inhibitor Free  
 Certified Pyrogen Free

**Volume Range:** 1-200 µl  
**Grad Lines:** No Graduations

DOMINIQUE DUTSCHER SAS