

CryoKING® Cryogenic Vials

I. APPLICATIONS

1. Cell centrifugation
2. Reaction Tube
3. Cryogenic storage
4. Centrifugation of precipitates

II. TUBE FEATURES

1. Materials: Strong, medical-grade polypropylene
2. Strong mechanical and chemical resistance
3. Transparent wall permits easy viewing of tube contents
4. Working temperature: stable from -196°C to 121°C (Autoclavable, freeze proof and boil proof)
5. Designed & tested for long-term liquid nitrogen storage
6. Sterile, RNase & DNase Free, Endotoxin Free, Foreign DNA Free

III. TUBE DESIGN

1. Hexagon self-standing bottom design
2. Available in 0.5ml, 1ml, 1.5ml, 2.0ml and 5.0ml volumes
3. Clearly visible with either clear or turbid samples
4. With black graduations and white writing area.

IV. CAP DESIGN

1. Both External and Internal thread are available
2. X--Cap Color : 0-White, 1-Red, 2-Green, 3-Blue, 4-Yellow*(Call for information), 5-Purple, 7-Clear

V. PACKAGING

1. Tubes screwed with Caps: 25 Sets/Bag, 40 Bags/Case

VI. DESCRIPTION

Cat#	Volume	Thread Type	Bottom Barcode	Side Barcode	Writing Area	Sterile
88-005X	0.5ml	External	No	No	Yes	Yes
88-010X	1.0ml	External	No	No	Yes	Yes
88-015X	1.5ml	External	No	No	Yes	Yes
88-020X	2.0ml	External	No	No	Yes	Yes
88-021X	2.0ml	Internal	No	No	Yes	Yes
88-050X	5.0ml	External	No	No	Yes	Yes
88-605X	0.5ml	External	No	Yes	Yes	Yes

Cat#	Volume	Thread Type	Bottom Barcode	Side Barcode	Writing Area	Sterile
88-610X	1.0ml	Exteranl	No	Yes	Yes	Yes
88-615X	1.5ml	Exteranl	No	Yes	Yes	Yes
88-720X	2.0ml	External	No	Yes	Yes	Yes
88-721X	2.0ml	Internal	No	Yes	Yes	Yes
88-750X	5.0ml	External	No	Yes	Yes	Yes

VII. STERILITY

1. Yes

VIII. CERTIFICATION

Biologix products are manufactured completely according to the TUV ISO 9001:2008 standard.

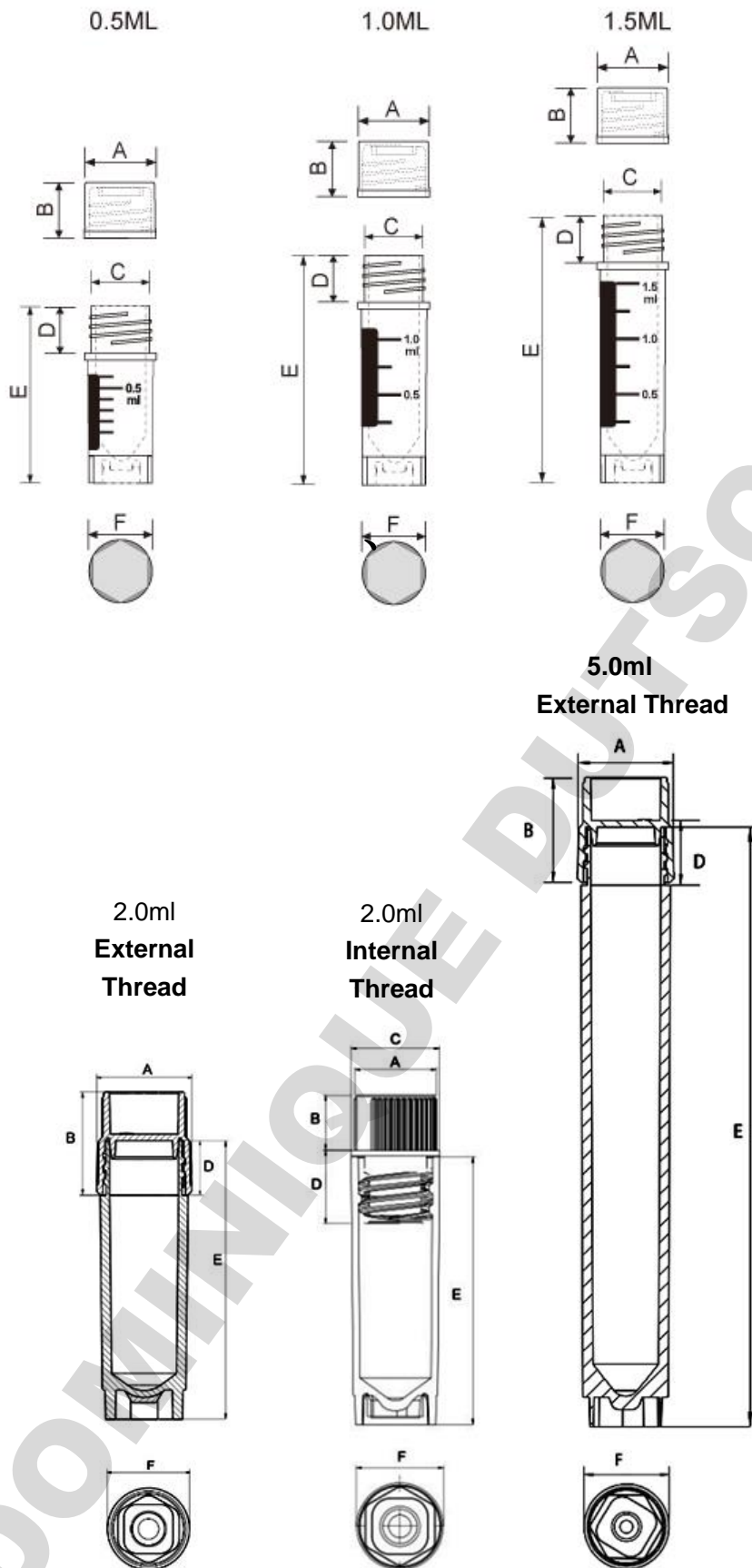
IX. RESTRICTIONS

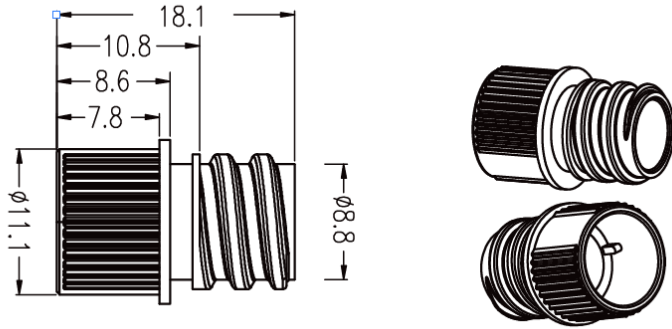
Refer to the Chemical Resistance Chart in our catalog, and available within our online catalog.

X. PRODUCT PARAMETER

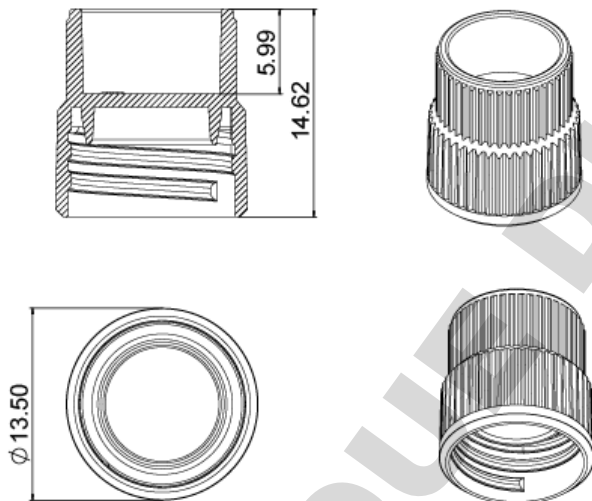
Dimensions=mm

Cat #	Description	A	B	C	D	E	F
88-005X	0.5ml vials with caps	O.D.11.8	8.82	O.D. 10	7.9	45.7	10.8
88-010X	1.0ml vials with caps	O.D.11.8	8.82	O.D. 10	7.9	39.3	10.8
88-015X	1.5ml vials with caps	O.D.11.8	8.82	O.D. 10	7.9	30.2	10.8
88-020X	2.0ml vials with caps	O.D.13.5	14.62		8.63	39.44	13.5
88-021X	2.0ml vials with caps	O.D.11.1	7.8	O.D.12.5	9.5	37.75	12.5
88-050X	5.0ml vials with caps	O.D.13.5	14.62		8.63	83.52	13.5
88-605X	0.5ml vials with caps	O.D.11.8	8.82	O.D. 10	7.9	45.7	10.8
88-610X	1.0ml vials with caps	O.D.11.8	8.82	O.D. 10	7.9	39.3	10.8
88-615X	1.5ml vials with caps	O.D.11.8	8.82	O.D. 10	7.9	30.2	10.8
88-720X	2.0ml vials with caps	O.D.13.5	14.62		8.63	39.44	13.5
88-721X	2.0ml vials with caps	O.D.11.1	7.8	O.D.12.5	9.5	37.75	12.5
88-750X	5.0ml vials with caps	O.D.13.5	14.62		8.63	83.52	13.5





Caps for 2.0ml External Thread Vials



Caps for 2.0ml&5.0ml Internal Thread Vials