

ID-Color™ Cardboard Freezer Boxes

I. APPLICATIONS

1. Storage and organization of any range of 0.5ml to 5ml tubes
2. Great for upright or chest freezers

II. FEATURES

1. Made from durable cardboard
2. Chemically resistant to alcohols and mild organic solvents
3. Temperature range: stable from -196°C to 121°C
4. Suitable for liquid nitrogen storage

III. BOX DESIGN

1. Available in 1inch, 2 inch and 3 inch sizes with either 81-well, 100-well dividers
2. Assorted colored boxes. (White, Orange, blue, yellow and green)
3. Holds 0.5ml, 1.5ml or 2.0ml microtubes and 5ml large volume tubes
4. Attached lid includes Alphanumeric printing
5. Cardboard dividers and plastic dividers

IV. PACKAGING

1. Bulk, 20 boxes/case

V. DESCRIPTION

Item	Description	Packaging	Sterile
90-6281	2in, 81-well, ID-color, assorted	20 pieces/case	No
90-6200	2in, 100-well, ID-color, assorted	20 pieces/case	No
90-6100	1in, 100-well, ID-color, assorted	20 pieces/case	No
90-8281	2in, 81-well, ID-color, assorted	20 pieces/case	No
90-8200	2in, 100-well, ID-color, assorted	20 pieces/case	No
90-8100	1in, 100-well, ID-color, assorted	20 pieces/case	No
90-8381	3.75in, 81-well, ID-color, assorted	20 pieces/case	No

VI. STERILITY

1. N/A

VII. CERTIFICATION

Biologix products are manufactured completely according to the TUV ISO 9001:2008 standard.

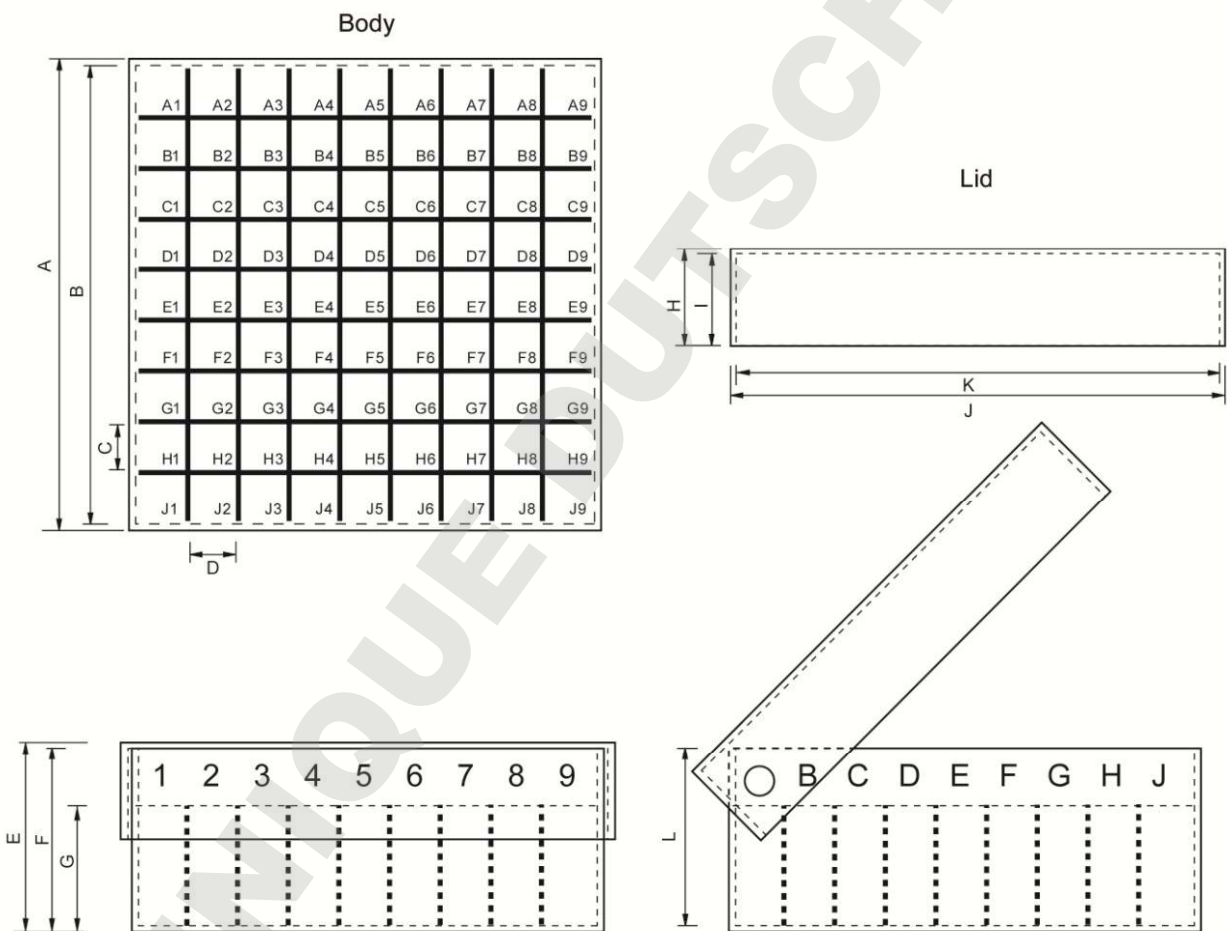
VIII. RESTRICTIONS

Refer to the Chemical Resistance Chart in our catalog, and available within our online catalog.

IX. PRODUCT PARAMETER

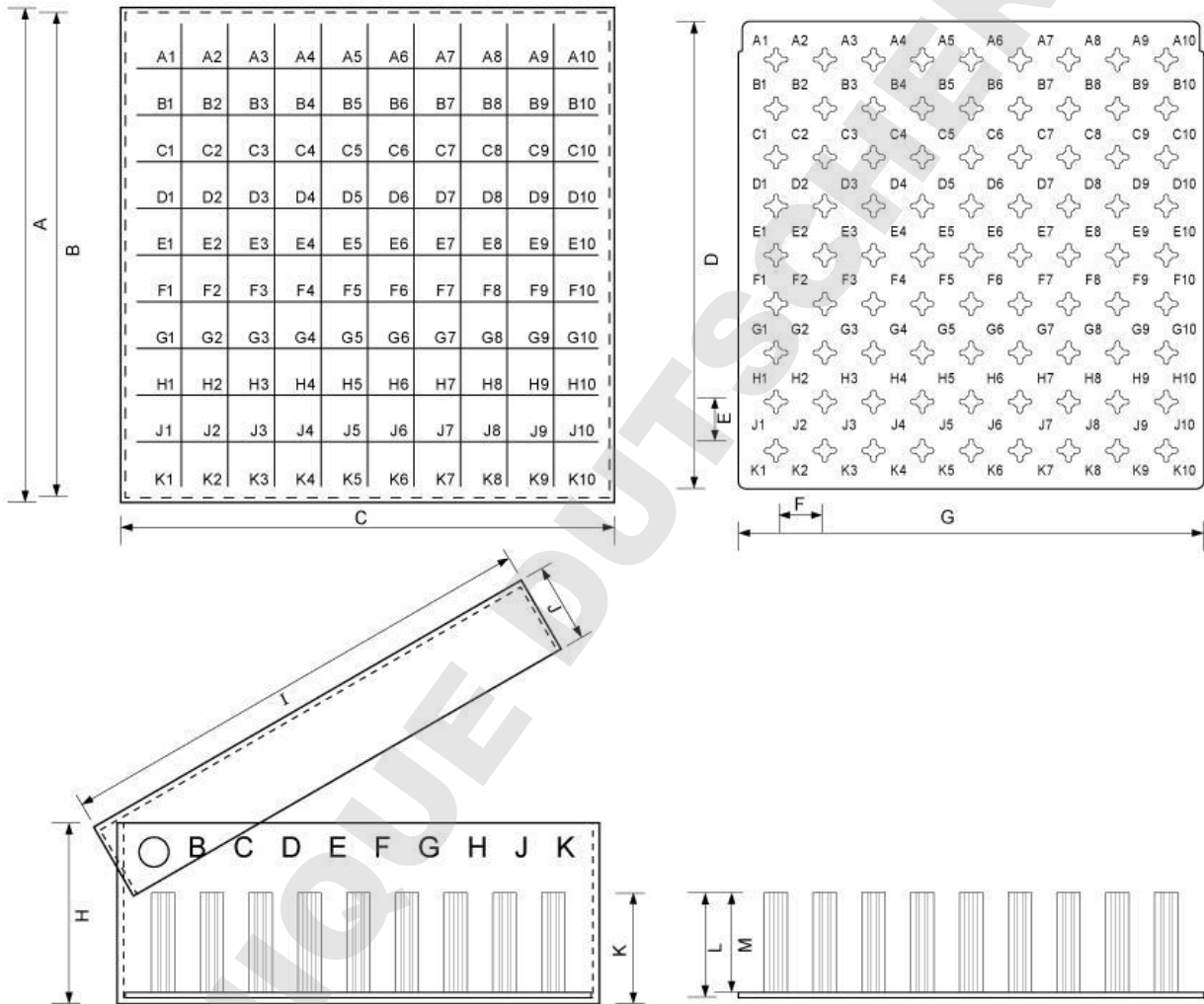
Dimensions=mm

Cat #	Description	A	B	C	D	E	F	G
90-6281	Box	128.6	125	12.5	12.5	51.8	50.0	34.2
		H	I	J	K	L	-	-
		26.4	24.6	134.8	131.2	48.2	-	-



Dimensions=mm

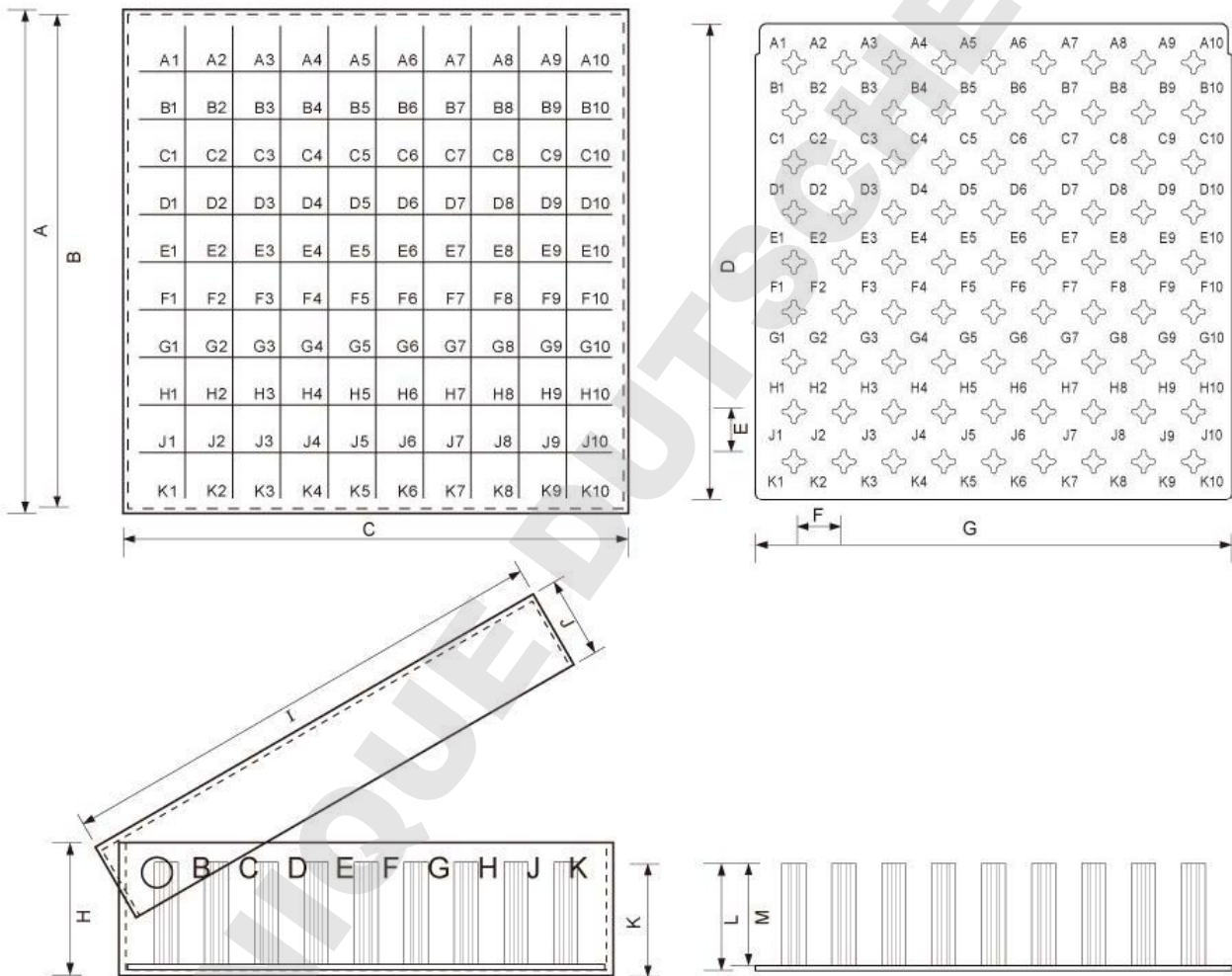
Cat #	Description	A	B	C	D	E	F	G
90-6200	Box	133.6	130	133.6	126	11.6	11.6	126
		H	I	J	K	L	M	-
		49	133.6	22	30.2	28.4	27	-



90-6200

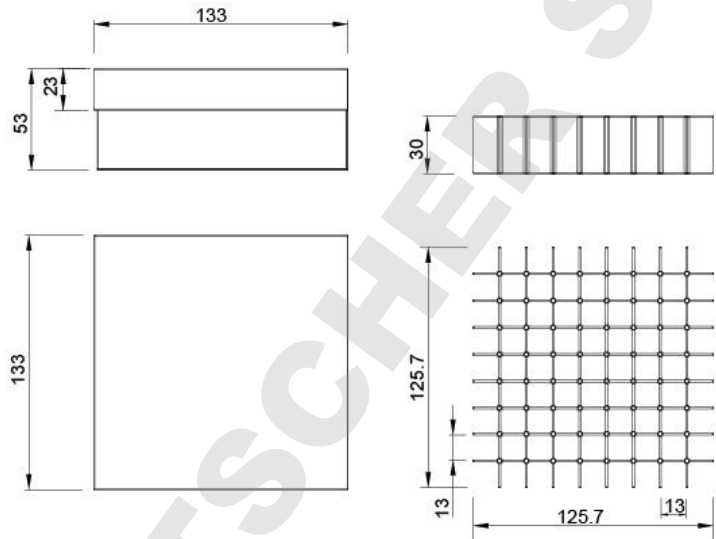
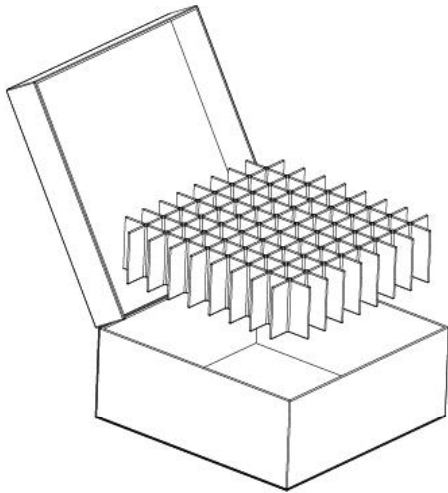
Dimensions=mm

Cat #	Description	A	B	C	D	E	F	G
90-6100	Box	133.6	130	133.6	126	11.6	11.6	126
		H	I	J	K	L	M	-
		35	133.6	22	30.2	28.4	27	-

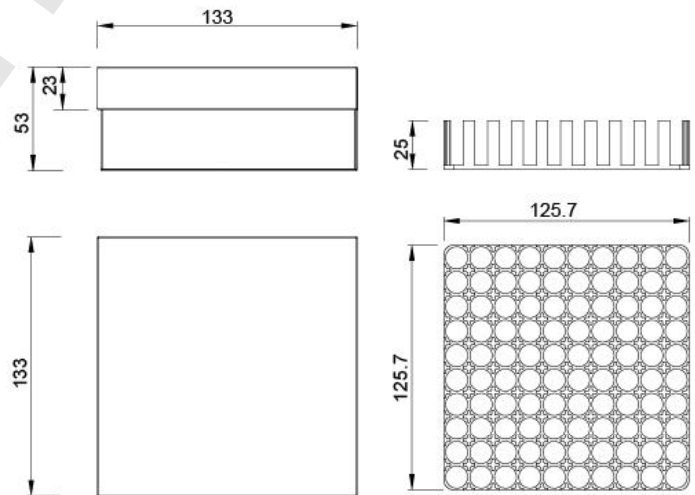
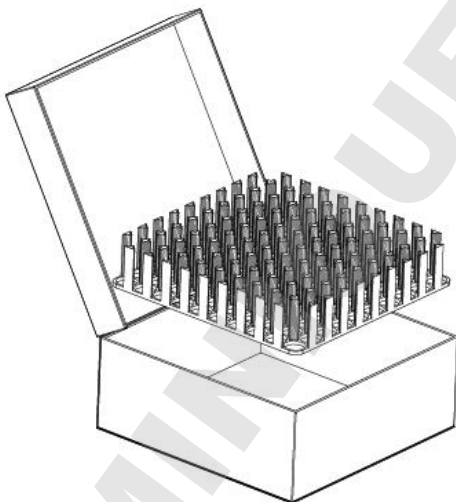


90-6100

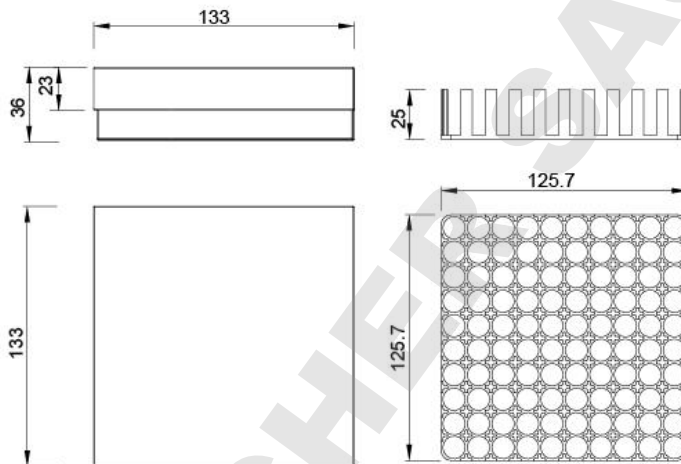
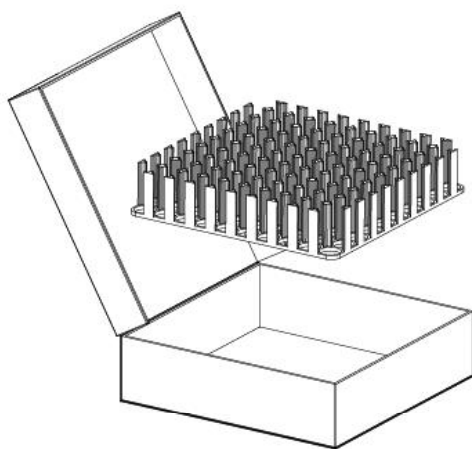
Dimensions=mm



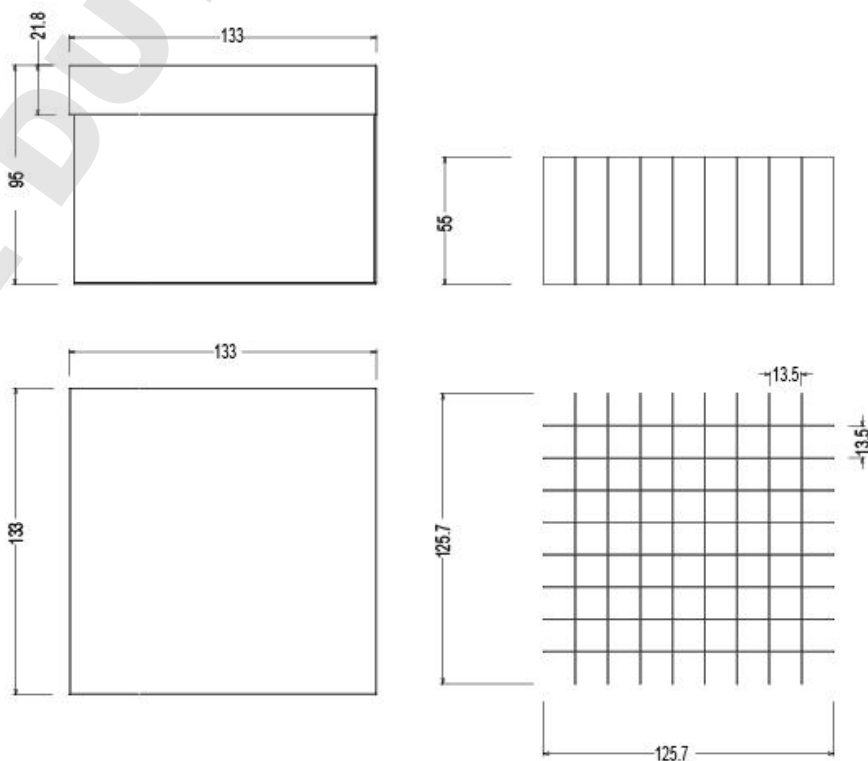
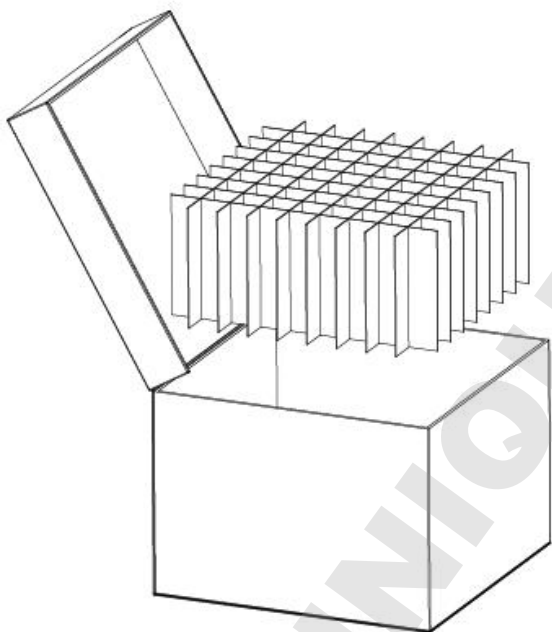
90-8281



90-8200



90-8100



90-8381