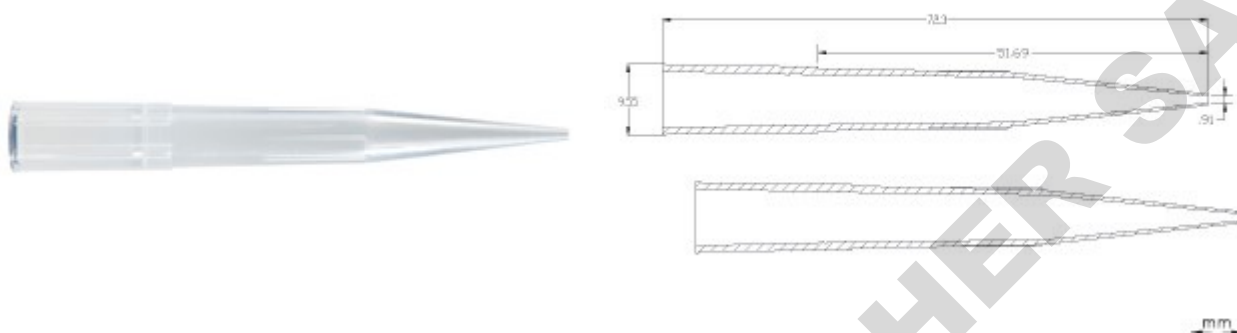


1000 µl (100-1000 µl) - Catalog #10190



Catalog #	Description
10190	Natural, Polypropylene
Packaging Type	Packaging Details
Bulk Tips	Non-Sterile, Bulk, 1,000 Tips/Bag, 10 Bags/Case , Bulk Pack
Attributes	



Certified Human DNA Free
 Certified PCR Inhibitor Free
 Certified Pyrogen Free

Volume Range: 100-1000 µl

Grad Lines: No Graduations

DOMINIQUE DUTSCHER SAS