

Solution Basins

I. APPLICATIONS

1. Transfer of chemicals and other liquids

II. FEATURES

1. Materials: PVC, polystyrene, or polypropylene
2. Polypropylene basin is chemically resistant to alcohols and mild organic solvents
3. PVC basin has transparent walls to permit easy viewing of contents
4. Polypropylene basin is autoclavable

III. BASIN DESIGN

1. Available in PVC super clear, polystyrene white, and polypropylene 12-channel
2. PVC basins have a volume of 55ml; polystyrene basins have volumes of 55ml or 100ml.
3. Polypropylene 12-channel basin: individual channels hold 5ml, flip-side is 50ml volume
4. All basins can be used with single or multi-channel pipettors
5. Polypropylene basins come in assorted colors: clear, blue, green, red, and yellow

IV. PACKAGING

1. PVC: Bulk, 100 basins/pack and 8 packs/case
2. Polystyrene: Individually wrapped, 100 basins/case or 50 basins/case
3. Polypropylene: Bulk, 25 basins/bag, 4 bags/case (assorted colors)

V. DESCRIPTION

| Item | Material/Color | Packaging | Sterile |
|---------|------------------------|---------------------------------------|---------|
| 25-0052 | PVC/Super clear | Bulk, 100 basins/pack, 8 packs/case | No |
| 25-0051 | Polystyrene/white | Individually wrapped, 100 basins/case | Yes |
| 25-1202 | Polypropylene/Assorted | Bulk, 25 basins/pack, 4 packs/case | No |
| 25-1025 | Polystyrene/white | Individually wrapped, 100 basins/case | Yes |
| 25-1100 | Polystyrene/white | Individually wrapped, 50 basins/case | Yes |

VI. STERILITY

1. Products are Gamma Radiation Sterilized according to ISO13485 standard.
2. For each lot, sterilization records are recorded and signed off by qualified personnel for product release.

VII. CERTIFICATION

Biologix products are manufactured completely according to the TUV ISO 9001:2008 standard.

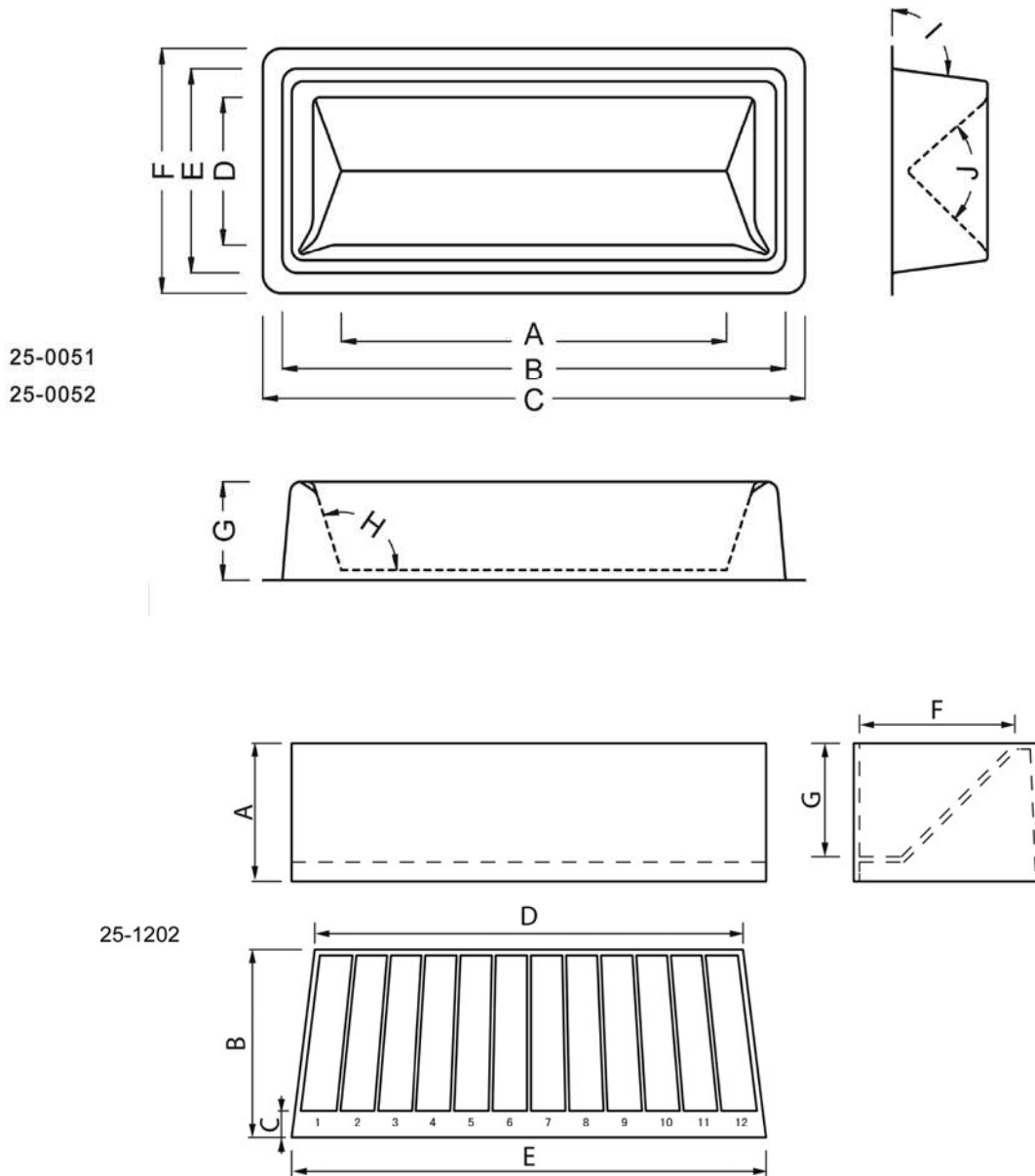
VIII. RESTRICTIONS

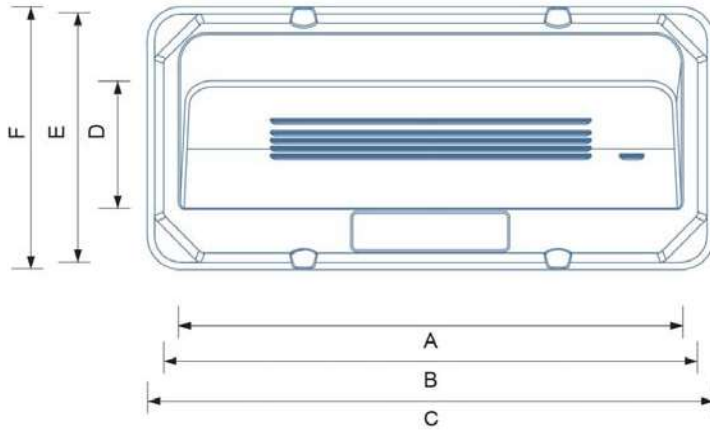
Refer to the Chemical Resistance Chart in our catalog, and available within our online catalog.

IX. PRODUCT PARAMETER

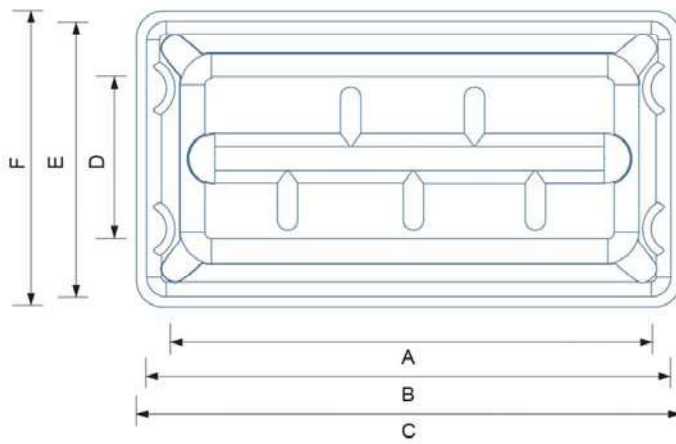
Dimensions = mm

| Cat # | Description | A | B | C | D | E | F | G | H | I | J |
|---------|----------------|-------|-------|-----|-------|------|------|------|------|-----|-----|
| 25-0051 | Solution Basin | 105.9 | 138.3 | 149 | 39.4 | 54.5 | 65.2 | 26.2 | 108° | 97° | 84° |
| 25-0052 | Solution Basin | 105.9 | 138.3 | 149 | 39.4 | 54.5 | 65.2 | 26.2 | 108° | 97° | 84° |
| 25-1202 | Solution Basin | 36 | 49 | 7 | 111.7 | 124 | 40.5 | 29.5 | - | - | - |
| 25-1025 | Solution Basin | 123 | 130 | 138 | 31.2 | 61 | 64 | 26 | - | - | - |
| 25-1100 | Solution Basin | 123 | 133 | 138 | 41.2 | 70 | 75 | 34 | - | - | - |





25-1025



25-1100