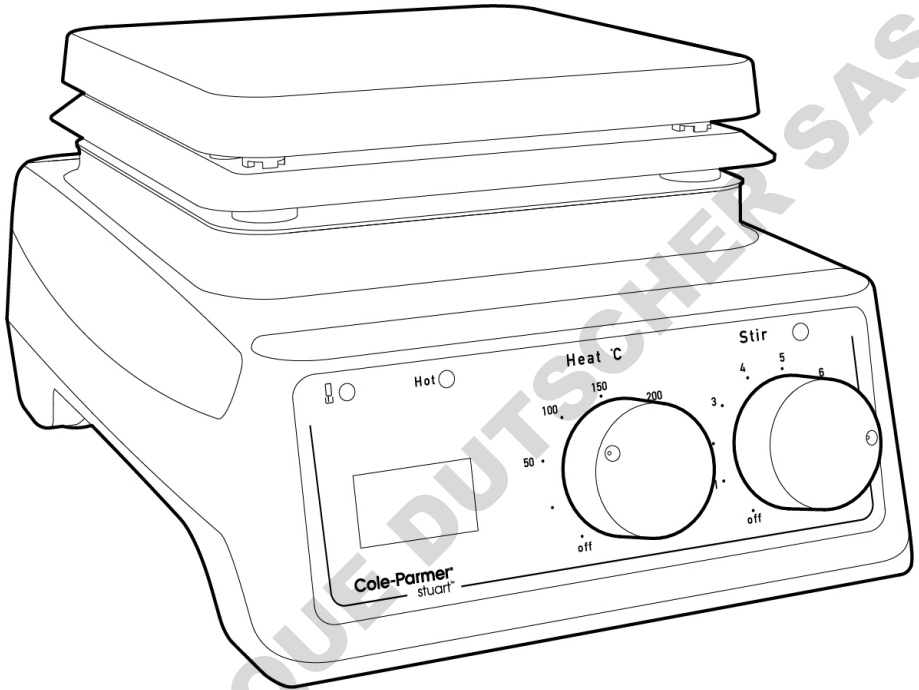


Hotplates & Stirrers

UC150, UC151, UC152, UC152D,
US150, US151, US152, US152D



Instruction Manual

Version 1.1

UG100-004

Cole-Parmer®

English

Figure 1 - Front view

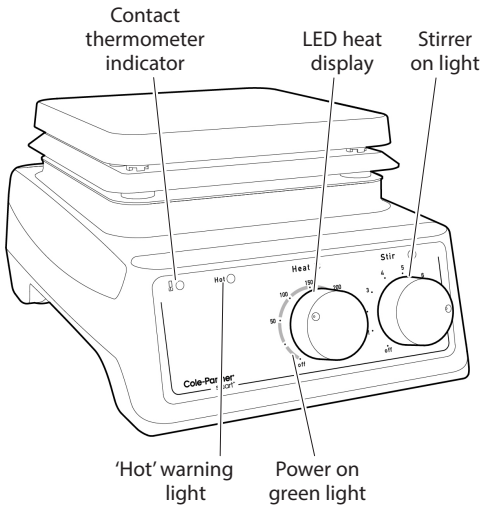


Figure 2 - Rear view

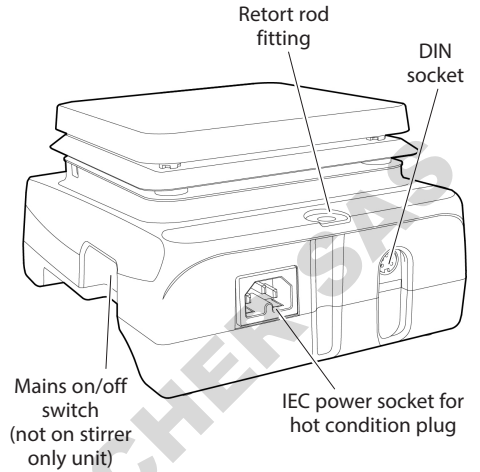


Figure 3 - Front panel (analogue versions)

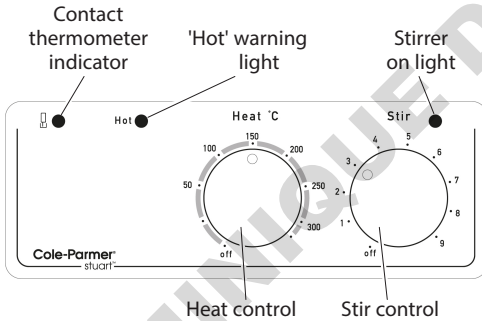
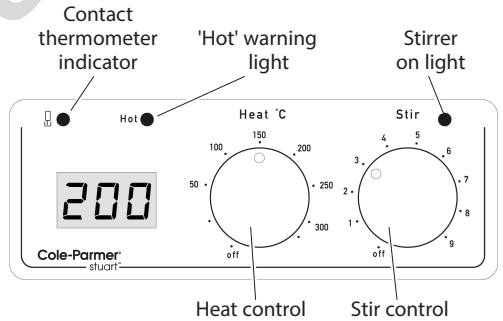


Figure 4 - Front panel (digital versions)



Hotplates & Stirrers

UC150, UC151, UC152, UC152D
US150, US151, US152, US152D

Introduction

Thank you for purchasing this Cole-Parmer product. To get the best performance from the equipment, and for your own safety, please read these instructions carefully before use. Before discarding the packaging check that all parts are present and correct.

This equipment is designed to operate under the following conditions:

- For indoor use only
- Use in a well ventilated area
- Ambient temperature range +5°C to +40°C
- Altitude to 2000m
- Relative humidity not exceeding 80%
- Mains supply fluctuations not exceeding 10% of nominal
- Overvoltage category II IEC60364-4-443
- Pollution degree 2 IEC664
- Use with a minimum distance all round of 200mm from walls or other items

If the equipment is not used in the manner described in this manual and with accessories other than those recommended by Cole-Parmer, the protection provided may be impaired.

Electrical Installation



THIS EQUIPMENT MUST BE EARTHED

Before connection please ensure that the line supply corresponds to that shown on the rating plate located on the base of the unit.

Power requirements:

Model	Wattage	Model	Wattage
UC150	530W	US150	750W
UC151	60W	US151	60W
UC152	600W	US152	800W
UC152D	600W	US152D	800W

There is a hot condition IEC socket at the rear of the instrument for connection to the mains supply (see figure 2). The unit is supplied with a mains lead fitted with either a UK 3-pin or "Schuko" 2-pin hot condition IEC plug for connection to the instrument.

Should the lead not be suitable for connecting to the mains power supply, replace the plug with a suitable alternative.

THIS OPERATION SHOULD ONLY BE UNDERTAKEN BY A QUALIFIED ELECTRICIAN.

NOTE: Refer to the equipment rating plate to ensure that the plug and fusing are suitable for the voltage and wattage stated.

UK mains cable wiring is coloured as follows:

BROWN - LIVE
BLUE - NEUTRAL
GREEN/YELLOW - EARTH

US mains cable wiring is coloured as follows:

- BLACK - LIVE
- WHITE - NEUTRAL
- GREEN/YELLOW - EARTH

Should the mains lead need replacement, a cable of 1 mm² of harmonised code H05RR-F or H05RN-F connected to an IEC hot condition plug should be used.

IF IN DOUBT CONSULT A QUALIFIED ELECTRICIAN

Safety Advice

- Do not use the instrument to heat inflammable liquids.
- Never lift or carry the instrument until it has been switched off and allowed to cool for at least 30 minutes. The hot warning light will give guidance.
- The unit should be carried using both hands with the fingers under the side edges.
- Never move or carry the unit with containers on the top plate or while still connected to the mains supply.
- There is a danger of liquid spillage if containers are over-filled and stirred at high speed. Always build stirrer speed slowly and never stir more rapidly than necessary.
- NEVER place a cold glass vessel onto a hotplate which is already hot.
- NEVER use a retort rod longer than 600mm.
- When a retort rod is installed with apparatus attached, or when swivelling support rods, take care that there is sufficient weight on the plate to prevent the whole unit tipping over.
- When using a retort stand, in order to provide the unit with adequate ventilation the base of the retort stand must NOT exceed 19.5 mm in height and 125 mm in width.
- Ensure equipment is used on a clean, dry, non-combustible, solid work surface with at least 300mm suitable clearance all around from other equipment.
- Do not position the product so that it is difficult to disconnect from the mains supply.
- Do not touch the heating element or any glass vessel whilst in use.
- Do not lean or stretch over equipment, glassware and fixings when in use.
- Do not immerse unit in water or fluids.
- Do not spill substances onto the equipment. If spillage does occur, disconnect unit from mains supply and follow instructions as detailed in Cleaning and Care (page 6).
- Do not use in hazardous atmospheres or with hazardous materials for which the equipment is not designed.
- In the event there is an interruption in the mains supply, the equipment will resume operation once power is restored.
- Always follow good laboratory practice when using this equipment. Give due recognition to your company's safety and legislative health & safety procedures and all associated legislation applicable to your areas of operation. Check laboratory procedures for substances being heated and ensure all hazards (e.g. explosion, implosion or the release of toxic or flammable gases) that might arise have been suitably addressed before proceeding. When heating certain substances the liberation of hazardous gases may require the use of a fume cupboard or other means of extraction

Operation

Note: When using any of the ceramic hotplates (UC150, UC151, UC152 and UC152D) at temperatures over 180°C, the base of any equipment used must not make contact with the ceramic plate outside the Hot Zone, see figure 6. This is to avoid damage to the hotplate.

Note: Modular heating blocks are not suitable for use with ceramic top hotplates.

Heating

UC150, UC152, US150, US152

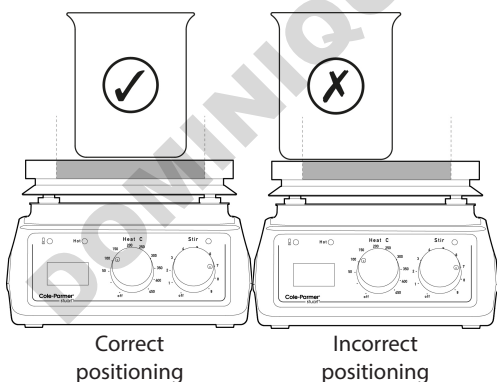
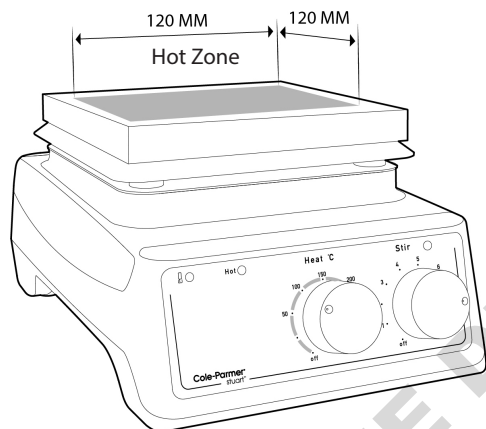
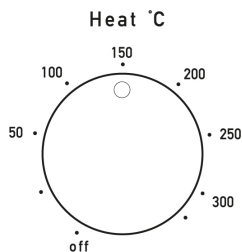


Figure 6

Switch the unit on using the mains on/off switch (see figure 2).




The control knob labelled "HEAT" on the front panel controls the heat output and hence the plate temperature. It is graduated with an approximate temperature scale. This scale refers to the temperature of the top plate and not to the temperature of the contents of the vessel being heated.

Turn the control knob clockwise to the required plate temperature. As the plate heats up the LED temperature segments around the dial will light up in turn and their light intensity increase until the set surface temperature is reached. Conversely if the unit is cooling, the LED temperature segments will go out as the plate approaches the set temperature.

UC152D, US152D

Switch the unit on using the mains on/off switch (see Figure 2). When the control knob labelled "HEAT" is pointing to the Power on/off position, the LED display will show the word "OFF". Turn the control knob to the required temperature which will be shown on the LED display. The temperature will increment in 5°C steps. A few seconds after setting the temperature, the display will revert to showing the actual temperature of the hotplate.

If the unit is switched off using the mains on/off switch while the control is in a set position, the next time the unit is switched on the LED display will show the word "On" followed briefly by the previously set temperature. The display will then revert to the actual top plate temperature and the unit will then begin to heat to the set temperature.

 **WARNING:** When the surface becomes too hot to touch the red "HOT" warning

light on the front panel will begin to flash (see figure 1). This will continue to flash while the plate temperature is above 50°C for a maximum of 30 minutes, even if the unit is disconnected from the electricity supply.



WARNING: The plate may still be hot beyond 30 minutes when large masses are left on the plate, even though the "HOT" warning light has gone out.



WARNING: The top surface of the instrument may be HOT, especially in free air when a surface temperature of 450°C can be achieved on the ceramic top models and 325°C on the metal top models. Do not leave heaters switched on when not in use.

Stirring

UC151, UC152, UC152D, US151, US152, US152D

Your unit is provided with a two 25mm PTFE stirrer bars. These should be placed in the liquid to be stirred. They are suitable for liquid volumes up to 500ml.

Switch the unit on using the mains on/off switch (see figure 2). The control knob labelled "STIR" on the front panel controls the stirrer speed. When switched on a green stir-on light illuminates, (see figure 1). The knob is graduated with an arbitrary 1-9 scale. Turning the knob to a higher number increases the stirrer speed.

Using the Optional Accessory SCT2 Temperature Controller

UC151, UC152, UC152D, US151, US152, US152D
The SCT2 temperature controller allows accurate temperature control of aqueous and oil based samples in the laboratory and can be used in two different modes, as a precise temperature controller from 20 to 200°C or as a digital thermometer from -4 to 325°C.

Connection of the SCT2 temperature controller probe is via the DIN probe socket located at the rear of the hotplate (figure 2).

In control mode, the heat control of the hotplate is disabled, allowing precise control of sample temperature via the SCT2 temperature controller. The illuminated contact thermometer indicator LED indicates communication between the SCT2 temperature controller and hotplate (Figure 3).

When used in monitor mode, the SCT2 operates as a digital thermometer and the hotplate temperature is controlled by the "HEAT" control

knob as described above. In this mode the LED temperature segments adjacent to the "HEAT" control knob (analogue models) or the LED temperature display (digital models) refer to the surface temperature of the hotplate not the sample.

For full instructions on use please refer to the SCT2 temperature controller manual.

Cleaning and Care

Before attempting cleaning:

Ensure that the top is cool, disconnect from the mains electricity supply.

The metal casing should be cleaned using a damp cloth and a mild detergent solution.

Ceramic top units:

A damp cloth will normally remove most types of contamination. For more difficult stains a domestic cream cleanser is recommended.

Cleaning is made easier if spillages are attended to promptly. In any case, spillages of alkali, phosphoric acid and hydrofluoric acid **MUST** be removed immediately as these chemicals can attack and damage the glass ceramic. Ensure that the appropriate safety precautions are observed.

During cleaning and general operation take care not to scratch the surface of the top plate as this could result in subsequent thermal breakage.



WARNING: A ceramic top which is scratched, chipped, chemically etched or damaged must not be used.

Metal top units:

The metal top plate should be cleaned using a damp cloth and a mild detergent solution.

Cleaning is made easier if spillages are attended to promptly. In any case, spillages of acids and alkalis **MUST** be removed immediately as these chemicals can attack and damage the surface of the coated aluminium alloy. Ensure that the appropriate safety precautions are observed.

Preparation of media

Take particular care when heating liquids having a high viscosity. Viscous liquids can act as thermal insulators and can cause thermal breakage of the glassware. This is very important with media solutions as the viscosity will usually increase as

the temperature rises.

- Check that the stirring action is sufficient to agitate the whole of the liquid. Unstirred areas in the liquid can result in uneven heat transfer and "hot spots" in the glassware. This can induce thermal stress and so cause failure.
- Check the stirring action regularly to ensure that it remains adequate as the viscosity of the solution increases.
- Always use the largest magnetic follower possible and if necessary, use a mechanical overhead stirrer.
- Do not use glass vessels with thick walls, e.g. Pyrex Heavy Duty Ware or standard beakers and flasks having capacities of 5 litres or greater.
- NEVER heat glass bottles on a hotplate.
- Ensure that the heat is built up slowly to avoid localised overheating.
- Ensure the glassware is completely free from scratches or other defects.
- Place the hotplate in a tray large enough to contain the liquid in the event of glassware failure.
- Wear the appropriate safety clothing e.g. gloves, goggles, protective apron etc.

Storage

The unit is designed so that the top plate fits into the base plate of the next unit for easy and compact storage when placed on their side

Accessories

SR1

The SR1 rod is available to support apparatus used with the instrument. The instrument is equipped with a fitting on the rear to accept the support rod catalogue number SR1 (see figure 2). To fit the rod to your instrument, first isolate from the mains supply and allow to cool. Screw the threaded end of the support rod into the fitting on the rear of the instrument. The shape of the base also allows a rectangular shaped retort rod stand, whose dimensions must not exceed 19.5mm high and 125mm wide, to be placed directly underneath the unit. SR1 is 12 x 600mm (W x H).

SCT2

For more information on the SCT2 temperature controller see page 6.

Heating blocks

A complete range of modular heating blocks for heating round bottom flasks is available for use with the metal top hotplates. Please visit the Stuart website www.stuart-equipment.com for further information.

Note: Modular heating blocks are not suitable for use with ceramic top hotplates.

Troubleshooting

UC150, UC152, UC152D, US150, US152, US152D

The following error codes are displayed if the instrument detects an error condition. On the digital models the errors are shown as Er1, Er2 etc. on the LED display. On the analogue models the Er1 condition is shown by flashing the first LED on the temperature scale, Er2 would be shown by flashing the second LED and so on.

- Er1 – Probe Range Error – If SCT2 reports probe temperature of $>325^{\circ}\text{C}$ or $< -99^{\circ}\text{C}$.
- Er2 – SCT2 Box Lost Error – Communications with the SCT2 have been lost.
- Er3 – Hotplate Temperature Error – If the hotplate measures its temperature $> 585^{\circ}\text{C}$ or $< -9.9^{\circ}\text{C}$.
- Er4 – Hotplate Ambient Error – If the temperature sensed inside the hotplate (not the plate temperature) is 85°C .
- Er5 – SCT2 Character Error – An unknown character was received from the SCT2.
- Er6 – Probe Out Error – The instrument detects that the SCT2 probe has been removed from the solution being heated.
- Er7 – SCT2 Timeout Error – The SCT2 did not respond to a request in the required time.

Servicing and Repair

This product range does not require any routine servicing.

Note: There are no internal user replaceable parts.

In the event of product failure it is recommended that any repair is only undertaken by suitably qualified personnel. For advice or to receive a service manual please contact the Service Department of Cole-Parmer.

Only spare parts supplied by Cole-Parmer or its agent should be used. Fitting of non-approved parts may affect the performance of the safety features of the instrument.

Note: The magnetic stirrer drive utilises strong magnets.

If in doubt, please contact the Service Department:

Cole-Parmer Ltd.
Beacon Road,
Stone, Staffordshire,
ST15 0SA, United Kingdom
Tel: +44 (0)1480 272279
Email: uk.sales@antylia.com
Web: www.coleparmer.com

Spares

For a comprehensive parts list please contact the Service Department of Cole-Parmer quoting model and serial number.

For any other technical enquiries, please contact the Technical Support Department.

Warranty

Cole-Parmer Ltd. warrants this equipment to be free from defects in material and workmanship, when used under normal laboratory conditions, for a period of three (3) years. In the event of a justified claim, Cole-Parmer will replace any defective component or replace the unit free of charge.

This warranty does NOT apply if:

- A ceramic top has broken due to mechanical impact, scratching, chipping or chemical etching.

- Any repair has been made or attempted other than by Cole-Parmer or its agent.
- Minor coating chips and scratches appear from what is deemed normal use.
- Damage is caused by fire, accident, misuse, neglect, incorrect adjustment or repair, damage caused by installation, adaptation, modification or fitting of non-approved parts.

MINI-ME DUTSCHER SAS

Technical Specification

Hotplate Stirrers	US152	UC152	US152D	UC152D
Plate material	Coated aluminium/silicon	Glass ceramic	Coated aluminium/silicon	Glass ceramic
Plate dimensions, mm	150 x 150	150 x 150	150 x 150	150 x 150
Heated area, mm	150 x 150	120 x 120	150 x 150	120 x 120
Heater control	Analogue	Analogue	Digital	Digital
Heater power, W	800	600	800	600
Max. plate temp, °C	325	450	325	450
Min. set temp, °C	-	-	25	25
Stirrer speed, rpm	100-2000	100-2000	100-2000	100-2000
Max. stirring capacity, L*	15	15	15	15
Compatible with SCT2	Yes	Yes	Yes	Yes
Control accuracy with SCT2	±1°C	±1°C	±1°C	±1°C
Dimensions (w x d x h), mm	180 x 255 x 122	180 x 255 x 122	180 x 255 x 122	180 x 255 x 122
Net weight, kg	3.1	3.1	3.1	3.1
Power, W	800	600	800	600
Electrical supply	120V, 60Hz or 230V, 50Hz	120V, 60Hz or 230V, 50Hz	120V, 60Hz or 230V, 50Hz	120V, 60Hz or 230V, 50Hz

Hotplates	US150	UC150
Plate material	Coated aluminium/silicon	Glass ceramic
Plate dimensions, mm	150 x 150	150 x 150
Heated area, mm	150 x 150	120 x 120
Heater control	Analogue	Analogue
Heater power, W	750	530
Max. plate temp, °C	325	450
Compatible with SCT2	Yes	Yes
Control accuracy with SCT2	±1°C	±1°C
Dimensions (w x d x h), mm	180 x 255 x 122	180 x 255 x 122
Net weight, kg	2.5	2.5
Power, W	750	530
Electrical supply	120V, 60Hz or 230V, 50Hz	120V, 60Hz or 230V, 50Hz

Stirrers	US151	UC151
Plate material	Stainless steel	Glass ceramic
Plate dimensions, mm	150 x 150	150 x 150
Stirrer speed, rpm	100-2000	100-2000
Max. stirring capacity, L*	15	15
Compatible with SCT2	No	No
Dimensions (w x d x h), mm	180 x 255 x 109	180 x 255 x 107
Net weight, kg	2.4	2.4
Power, W	60	60
Electrical supply	120V, 60Hz or 230V, 50Hz	120V, 60Hz or 230V, 50Hz

*Based on water contained in a 20 litre glass bottom flask.

Français

Figure 1 - Vue de face

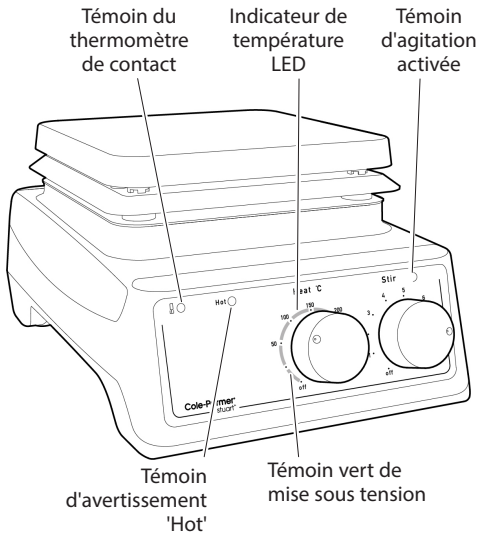


Figure 2 - Vue arrière

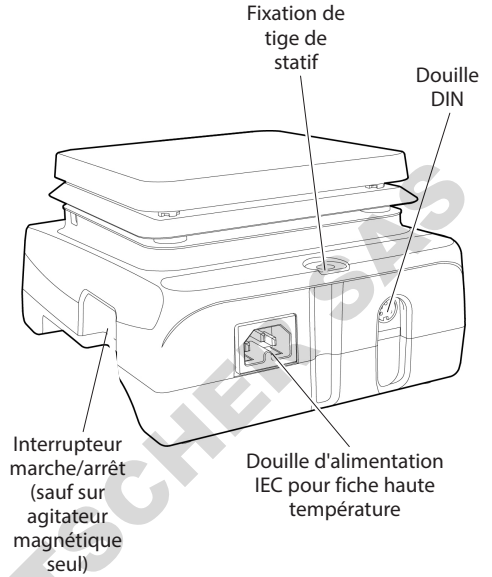


Figure 3 - Façade (versions analogiques)

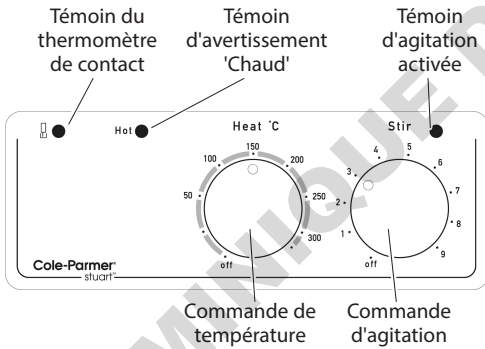
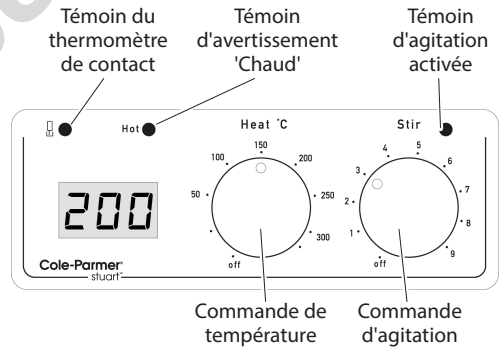


Figure 4 - Façade (versions numériques)



Plaques chauffantes, agitateurs magnétiques et agitateurs magnétiques chauffants

UC150, UC151, UC152, UC152D,
US150, US151, US152, US152D

Introduction

Merci d'avoir fait l'acquisition de cet appareil Cole-Parmer. Pour profiter au mieux des performances de cet équipement, et pour votre sécurité, lisez attentivement ces instructions avant toute utilisation. Avant de jeter l'emballage, vérifiez que tous les éléments sont présents et en bon état.

Cet appareil est conçu pour fonctionner dans les conditions suivantes :

- Utilisation en intérieur uniquement
- Utilisation dans un lieu correctement ventilé
- Température ambiante de +5 °C à +40 °C
- Altitude maximale de 2000 m
- Taux d'humidité relative de 80 % maximum
- Fluctuations de l'alimentation secteur ne dépassant pas 10 % de la valeur nominale
- Surtension de catégorie II CEI60364-4-443
- Degré de pollution 2 selon la norme CEI664
- Aménager un espace libre de minimum 200 mm autour de l'appareil vis-à-vis des murs et des autres équipements.

En cas de non respect des consignes détaillées dans ce manuel ou en cas d'utilisation avec des accessoires différents de ceux recommandés par Cole-Parmer, la garantie incluse est susceptible de se révéler inopérante.

Installation électrique



CET APPAREIL DOIT ÊTRE RELIÉ À LA TERRE.

Avant toute connexion, veuillez-vous assurer que l'alimentation secteur correspond à celle indiquée sur la plaque signalétique située sur la base de l'appareil.

Alimentation requise :

Modèle	Puissance	Modèle	Puissance
UC150	530 W	US150	750 W
UC151	60 W	US151	60 W
UC152	600 W	US152	800 W
UC152D	6000 W	US152D	800 W

Un connecteur IEC haute température est fourni à l'arrière de l'appareil pour le raccordement à l'alimentation secteur (voir figure 2). L'appareil est fourni avec un cordon d'alimentation muni d'une fiche britannique à 3 broches ou d'une fiche IEC haute température « Schuko » à 2 broches pour le raccordement.

Si le cordon n'est pas adapté aux conditions particulières de votre pays, remplacez la fiche par un modèle approprié.

CETTE INTERVENTION DOIT UNIQUEMENT ÊTRE EFFECTUÉE PAR UN ÉLECTRICIEN QUALIFIÉ.

REMARQUE : reportez-vous à la plaque signalétique de l'appareil afin de vous assurer que la fiche et les fusibles sont adaptés à la tension et à la puissance mentionnées.

Le câble d'alimentation britannique est composé des fils électriques de couleurs suivantes :

MARRON - PHASE

BLANC - NEUTRE

VERT / JAUNE - TERRE

Le câble d'alimentation américain est composé des fils électriques de couleurs suivantes :

MARRON - PHASE

BLEU - NEUTRE

VERT / JAUNE - TERRE

Dans le cas où le cordon d'alimentation doit être remplacé, utilisez un câble d'1 mm² de type H05RR-F ou H05RN-F harmonisé, raccordé à une fiche IEC haute température.

EN CAS DE DOUTE, CONSULTEZ UN ÉLECTRICIEN QUALIFIÉ.

Consignes de sécurité avant utilisation

- N'utilisez pas l'appareil pour chauffer des liquides inflammables.
- Ne soulevez et ne transportez jamais l'appareil avant de l'avoir mis hors tension et de l'avoir laissé refroidir pendant au moins 30 minutes. Pour cela, vérifiez que le voyant de température "HOT" soit éteint.
- L'appareil doit être transporté à l'aide des deux mains, en plaçant les doigts sous les bords latéraux.
- Ne déplacez et ne transportez jamais l'appareil avec des récipients présents sur la plaque supérieure ou lorsqu'il est connecté à l'alimentation secteur.
- En cas de remplissage excessif et d'agitation à haute vitesse, il y a risque de débordement et de projection de liquide. Augmentez toujours progressivement la vitesse de l'agitateur et n'agitez jamais de liquide à une vitesse supérieure à ce qui est nécessaire.
- Ne placez JAMAIS un récipient en verre froid sur une plaque chauffante déjà chaude.
- N'utilisez JAMAIS de tige de statif de plus de 600 mm de long.
- Lorsqu'une tige de statif comportant un accessoire est installée ou en cas de rotation de la tige de support, assurez-vous que le poids présent sur la plaque est suffisant pour empêcher le basculement de l'ensemble de l'unité.
- Pour garantir la ventilation adéquate de l'unité lorsque vous utilisez un statif, la base de celui-ci ne doit PAS dépasser une hauteur de 19,5 mm et une largeur de 125 mm.
- Suivez toujours les bonnes pratiques de laboratoire lors de l'utilisation de cet équipement. Accordez l'importance nécessaire aux procédures de santé et sécurité de votre entreprise et à toutes les législations en vigueur applicables à votre domaine d'activité. Vérifiez les procédures de laboratoire pour les substances devant être chauffées et assurez-vous que tous les dangers (par exemple explosion, implosion ou dégagement de gaz toxiques ou inflammables) qui pourraient survenir aient été convenablement traités avant de procéder. Lors du chauffage de certaines substances, la libération de gaz dangereux peut nécessiter l'utilisation d'une hotte ou d'autres moyens d'extraction.
- Assurez-vous que l'équipement soit utilisé sur une surface de travail propre, sèche, ininflammable et solide avec au moins 300 mm de dégagement nécessaire autour de tout autre équipement.
- Ne placez pas le produit de manière à le rendre difficile à déconnecter de l'alimentation secteur.
- Ne touchez pas l'élément chauffant ou tout récipient en verre durant l'utilisation.
- Ne vous penchez pas et ne vous allongez pas sur l'équipement, la verrerie et les fixations lors de l'utilisation.
- N'immergez pas l'appareil dans de l'eau ou d'autres liquides.
- Ne renversez pas de substances sur l'équipement. En cas de débordement, débranchez l'unité de l'alimentation secteur et suivez les instructions détaillées dans . Nettoyage et Entretien (Page 4).
- Ne pas utiliser dans des atmosphères dangereuses ou avec des matières dangereuses pour lesquelles l'équipement n'est pas conçu.
- En cas de coupure de l'alimentation secteur, l'équipement reprendra son fonctionnement normal une fois l'alimentation rétablie.

Utilisation

Remarque : Lors de l'utilisation de l'une des plaques en céramique (UC150, UC151, UC152 et UC152D) des températures supérieures à 180 °C, la base de tout équipement utilisé ne doit pas entrer en contact avec la plaque en céramique à l'extérieur de la Zone Chaude voir la figure 6.

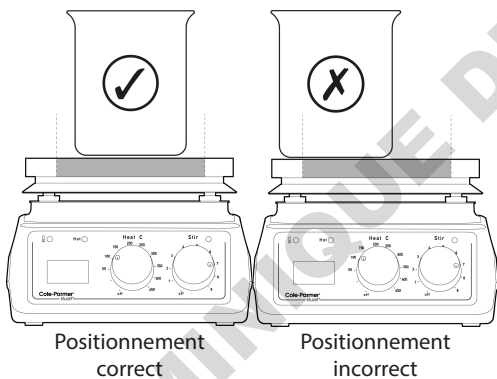
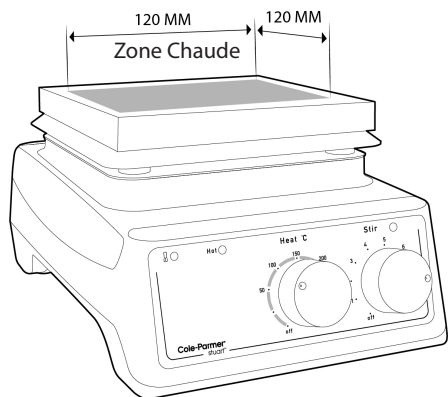


Figure 6

Ceci dans le but d'éviter tout dommage du plateau en céramique.

Remarque : Les blocs réactionnels ne conviennent pas aux plaques dont le plateau est en céramique.

Mettez l'appareil sous tension à l'aide de l'interrupteur marche/arrêt (voir figure 2). Le bouton de réglage de température (« HEAT ») présent en façade permet de contrôler la chaleur produite et donc la température de la plaque. Il est gradué selon une échelle de température approximative. Cette échelle fait référence à la température de la plaque supérieure et non à celle du contenu du réci

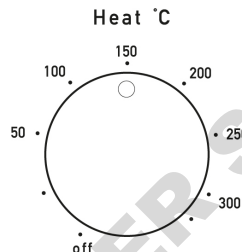


Figure 2

Lorsque le bouton réglage « HEAT » est placé sur la position marche/arrêt, l'écran LED affiche le mot « ON ». Faites tourner le bouton de réglage jusqu'à la température requise (celle-ci s'affiche sur l'écran LED). La température augmente par incréments de 5 °C. Quelques secondes après le réglage de la température, l'écran affiche à nouveau la température réelle de la plaque chauffante.

Lorsque l'appareil est mis hors tension à l'aide de l'interrupteur marche/arrêt alors que le bouton se trouve placé sur une température définie, lors de la mise sous tension suivante de l'appareil, l'écran LED affiche « ON », suivi brièvement de la dernière valeur de température définie. L'écran retourne ensuite à la température réelle de la plaque et l'appareil commence à chauffer jusqu'à atteindre la température définie.



AVERTISSEMENT : lorsque la surface devient trop chaude au toucher, le voyant « HOT » de la façade commence à clignoter (figure 1). Il continue à clignoter tant que la température de la plaque est supérieure à 50 °C, pendant une durée maximale de 30 minutes, et ce même si l'appareil est débranché de l'alimentation électrique.



AVERTISSEMENT : la plaque peut rester chaude au-delà des 30 minutes dès lors que des masses importantes sont présentes, et ce même si le voyant « HOT » s'est éteint.



AVERTISSEMENT : les parties supérieures de l'appareil peuvent être CHAUDES, en particulier à l'air libre du fait que la température de surface peut atteindre 450 °C avec les modèles à plaque en céramique et 325 °C sur les modèles à plaque métallique. Ne laissez pas l'appareil allumé lorsqu'il n'est pas utilisé.

Agitation

UC151, UC152, UC152D, US151, US152, US152D

Mettez l'unité sous tension à l'aide de l'interrupteur marche/arrêt (voir la figure 2). Le bouton de contrôle « STIR » en façade règle la vitesse de l'agitateur. Sous tension, un voyant vert d'agitation « Stir-on » s'allume (figure 1). Le bouton est gradué selon une échelle arbitraire de 1 à 9. La rotation du bouton vers un nombre plus élevé augmente la vitesse d'agitation.

Utilisation du contrôleur de température SCT2 optionnel

UC150, UC152, UC152D, US150, US152, US152D

Le contrôleur de température SCT2 est l'équipement idéal pour contrôler de manière précise la température des liquides aqueux et à base d'huile, en laboratoire. Il peut être utilisé de deux manières différentes : en tant que contrôleur de température de précision entre 20 et 200 °C ou en tant que thermomètre numérique entre -4 et 325 °C.

La sonde du contrôleur de température SCT2 se branche sur le connecteur DIN situé à l'arrière de la plaque chauffante (figure 2).

En mode contrôle, le contrôle de la température de la plaque chauffante est désactivé, ce qui permet une mesure précise de la température du liquide à l'aide du contrôleur SCT2. Lorsqu'il est allumé, le voyant du thermomètre à contact indique la bonne liaison entre le contrôleur de température SCT2 et la plaque chauffante (figure 3).

Lorsqu'il est utilisé en mode affichage, le SCT2 fonctionne en tant que thermomètre numérique et la température de la plaque chauffante est contrôlée par le biais du bouton de réglage « HEAT », comme décrit ci-dessus. Dans ce mode, les segments entourant le bouton de réglage « HEAT » (modèles analogiques) ou l'affichage LED des températures (modèles numériques) font référence à la température de surface de la plaque chauffante, et non à celle du liquide contenu dans le récipient.

Pour des instructions d'utilisation complètes, veuillez-vous reporter au manuel du contrôleur de température SCT2.

Nettoyage et entretien

Avant toute intervention de nettoyage :

Assurez-vous que la surface est froide et déconnectez l'appareil de l'alimentation secteur.

Le boîtier en métal doit être nettoyé à l'aide d'un chiffon humide et d'un détergent doux.

Modèles avec plaque en céramique :

Un chiffon humide suffit normalement à supprimer la plupart des types de contaminant. Pour les tâches plus difficiles, un nettoyant crème domestique est recommandé.

Le nettoyage des débordements est plus facile lorsqu'il est effectué dans les plus brefs délais. Dans tous les cas, les déversements de liquides alcalins, d'acide phosphorique ou d'acide fluorhydrique DOIVENT être nettoyés immédiatement car ces produits chimiques peuvent attaquer et endommager les surfaces en vitrocéramique.

Assurez-vous de respecter les précautions de sécurité appropriées.

Pendant les interventions de nettoyage et lors de l'utilisation en général, assurez-vous de ne pas rayer la surface de la plaque, car les rayures sont susceptibles d'entraîner une rupture thermique lors de l'utilisation suivante.



AVERTISSEMENT : pour les modèles céramiques, en cas de rayures, d'écaillage ou de dommages dus à des produits chimiques, l'appareil ne doit pas être utilisé.

Appareil avec plaque en métal :

La plaque supérieure en métal doit être nettoyée à l'aide d'un chiffon humide et d'un détergent doux.

Le nettoyage des déversements est plus facile lorsqu'il est effectué dans les plus brefs délais. Dans tous les cas, les déversements de liquides alcalins et d'acides DOIVENT être nettoyés immédiatement car ces produits chimiques peuvent attaquer et endommager la surface à revêtement en alliage d'aluminium. Assurez-vous de respecter les précautions de sécurité appropriées.

Préparation des liquides

Une attention particulière doit être portée lors du chauffage de liquides à viscosité élevée. Ces liquides peuvent agir comme des isolants

thermiques et occasionner une rupture de la verrerie sous l'effet de la chaleur. Ceci est très important pour les solutions, car la viscosité augmente généralement au fur et à mesure que la température s'élève.

- Assurez-vous que l'agitation est suffisante pour agiter la totalité du liquide. Les parties non agitées du liquide peuvent entraîner un transfert thermique hétérogène et des « points chauds » dans la verrerie. Ce phénomène peut entraîner une contrainte thermique, cause de rupture.
- Vérifiez régulièrement l'agitation afin de vous assurer qu'elle reste adaptée à l'augmentation de la viscosité de la solution.
- Utilisez toujours le plus grand barreau magnétique possible et, si nécessaire, un agitateur mécanique suspendu.
- N'utilisez pas de verrerie à parois épaisses, (verres en Pyrex haute résistance, etc.) ni de béciers ou de fioles standard d'une capacité de 5 litres ou plus.
- Ne chauffez JAMAIS de bouteilles en verre sur une plaque chauffante.
- Assurez-vous que le chauffage est progressif afin d'éviter toute surchauffe localisée.
- Assurez-vous que la verrerie est totalement exempte de rayures ou autres défauts.
- Placez la plaque chauffante dans un plateau suffisamment grand pour contenir le liquide en cas de casse de la verrerie.
- Portez des vêtements de sécurité appropriés, tels que des gants, des lunettes, un tablier protecteur, etc.

Rangement

L'appareil est conçu de manière à ce que la plaque supérieure tienne dans la plaque de base de l'appareil suivant, pour un rangement compact et pratique de plusieurs appareils placés sur le côté (figure 5).

Accessoires

SR1

La tige SR1 est disponible pour soutenir les instruments utilisés avec l'appareil. L'appareil comporte un logement en partie arrière destinée à recevoir la tige de support correspondant au code de catalogue SR1 (figure 2). Pour installer la tige sur votre appareil, commencez par couper l'alimentation secteur puis laissez-le refroidir. Vissez ensuite simplement l'extrémité filetée de la tige dans le logement situé en partie arrière. La forme de la base lui permet d'accueillir également

un statif de forme rectangulaire, sous réserve que ses dimensions ne dépassent pas 19,5 mm de haut et 125 mm de large, à positionner directement sous l'appareil. Les dimensions de la tige SR1 sont 12 x 600 mm (l x H).

SCT2

Pour plus d'informations sur le contrôleur de température SCT2, voir page 14.

Blocs chauffants

Une gamme complète de blocs chauffants modulaires adaptés au chauffage des fioles à base arrondie est disponible pour une utilisation avec les plaques chauffantes métalliques. Pour plus d'informations, veuillez visiter le site Web de Stuart : www.stuart-equipment.fr

Remarque : Les blocs de chauffage modulaires ne conviennent pas aux plaques chauffantes en céramique.

Dépannage

UC150, UC152, UC152D, US150, US152, US152D

Les codes d'erreur suivants s'affichent lorsque l'instrument détecte une condition d'erreur. Sur les modèles numériques, les erreurs s'affichent sur l'écran LED au format Er1, Er2, etc. Sur les modèles analogiques, l'erreur Er1 est indiquée par le clignotement du premier voyant LED de l'échelle de température, l'erreur Er2 est indiquée par le clignotement du deuxième voyant, et ainsi de suite.

- Er1 – erreur de plage de sonde – lorsque le SCT2 indique une température de sonde > 325 °C ou < -99 °C.
- Er2 – erreur de perte de sonde SCT2 – perte de communication avec le SCT2.
- Er3 – erreur de température de plaque chauffante – lorsque la température mesurée de la plaque chauffante est > 585 °C ou < -9,9 °C.
- Er4 – erreur de température ambiante de plaque chauffante – lorsque la température mesurée à l'intérieur de la plaque chauffante (et non la température de la plaque) est de 85 °C.
- Er5 – erreur de caractère SCT2 – lorsqu'un caractère inconnu est reçu du SCT2.
- Er6 – erreur de retrait de sonde – lorsque l'instrument détecte que la sonde du SCT2 a été retirée de la solution chauffée.

- Er7 – expiration du délai d'attente – lorsque le SCT2 ne répond pas dans les temps.

Entretien et réparation

Cette gamme d'appareils ne nécessite aucun entretien de routine.

Remarque : cet appareil ne renferme aucune pièce remplaçable par l'utilisateur.

En cas de panne de l'appareil, il est recommandé de confier toute réparation à un personnel qualifié uniquement. Pour des conseils ou pour recevoir un manuel d'entretien, contactez le service d'assistance de Cole-Parmer.

Seules des pièces détachées fournies par Cole-Parmer ou l'un de ses représentants doivent être utilisées. L'installation de pièces non approuvées est susceptible d'affecter l'efficacité des dispositifs de sécurité de l'appareil.

Remarque : l'entraînement de l'agitateur magnétique utilise des aimants puissants.

En cas de doute, veuillez contacter le service d'assistance :

Cole-Parmer Ltd.

Bâtiment le Deltaparc Silic pars Nord 2

7 rue du Canal

BP 55437 Villepinte

95944 ROISSY Charles de Gaulle

France

Tél : +33 (0) 1486 37800

Fax : +33 1 48 63 78 01

Email : fr.sales@antylia.com

Web : www.coleparmer.fr

Pièces de rechange

Pour obtenir la liste complète des pièces, veuillez contacter le service d'assistance de Cole-Parmer, en indiquant le modèle et le numéro de série.

Pour toute autre question technique, contactez le service d'assistance technique.

Garantie

Cole-Parmer Ltd. garantit cet équipement contre tout défaut de pièces ou de main-d'œuvre, dans des conditions d'utilisation normale en laboratoire, pour une période de trois (3) ans. En cas de réclamation justifiée, Cole-Parmer remplacera gratuitement l'appareil ou tout composant défectueux.

Cette garantie ne s'applique PAS en cas de :

plaque supérieure en céramique cassée suite à un impact mécanique, une éraflure, un ébrèchement ou une attaque chimique ;

réparation effectuée ou tentée par une personne n'appartenant pas au personnel de Cole-Parmer ou de l'un de ses représentants,

revêtement légèrement ébréché ou éraflé du fait d'une usure jugée normale,

dommages provoqués par un incendie, un accident, une utilisation inappropriée, une négligence, un réglage incorrect, une réparation inadéquate, une installation, une adaptation ou une modification inappropriée ou l'installation de pièces non approuvées.

Caractéristiques techniques

Agitateurs de plaques chauffantes	US152	UC152	US152D	UC152D
Matériau de la plaque	Aluminium/silicium revêtu	Vitrocéramique	Aluminium/silicium revêtu	Vitrocéramique
Dimensions de la plaque, mm	150 x 150	150 x 150	150 x 150	150 x 150
Surface chauffée, mm	150 x 150	120 x 120	150 x 150	120 x 120
Contrôle de l'élément chauffant	Analogique	Analogique	Numérique	Numérique
Puissance de chauffage, W	800	600	800	600
Temp. max. de la plaque, °C	325	450	325	450
Temp. min. de la plaque, °C	-	-	25	25
Vitesse de l'agitateur, tr/min	100-2000	100-2000	100-2000	100-2000
Capacité d'agitation max., L*	15	15	15	15
Compatible avec le SCT2	Oui	Oui	Oui	Oui
Précision de contrôle avec le SCT2	±1°C	±1°C	±1°C	±1°C
Dimensions (l x p x h), mm	180 x 255 x 122	180 x 255 x 122	180 x 255 x 122	172 x 255 x 122
Poids net, kg	3.1	3.1	3.1	3.1
Puissance, W	800	600	800	600
Alimentation	120 V, 60 Hz	120 V, 60 Hz	120 V, 60 Hz	120 V, 60 Hz

Plaques chauffantes	US150	UC150
Matériau de la plaque	Aluminium/silicium revêtu	Vitrocéramique
Dimensions de la plaque, mm	150 x 150	150 x 150
Surface chauffée, mm	150 x 150	120 x 120
Contrôle de l'élément chauffant	Analogique	Analogique
Puissance de chauffage, W	750	530
Temp. max. de la plaque, °C	325	450
Compatible avec le SCT2	Oui	Oui
Précision de contrôle avec le SCT2	±1°C	±1°C
Dimensions (l x p x h), mm	180 x 255 x 122	180 x 255 x 122
Poids net, kg	2.5	2.5
Puissance, W	750	530
Alimentation	120 V, 60 Hz ou 230 V, 50 Hz	120 V, 60 Hz ou 230 V, 50 Hz

Agitateurs	US151	UC151
Matériau de la plaque	Acier inoxydable	Vitrocéramique
Dimensions de la plaque, mm	150 x 150	150 x 150
Vitesse de l'agitateur, tr/min	100-2 000	100-2 000
Capacité d'agitation max., L*	15	15
Compatible avec le SCT2	Non	Non
Dimensions (l x p x h), mm	180 x 255 x 109	180 x 255 x 107
Poids net, kg	2.4	2.4
Puissance, W	60	60
Alimentation	120 V, 60 Hz ou 230 V, 50 Hz	120 V, 60 Hz ou 230 V, 50 Hz

* Basé sur de l'eau contenue dans une fiole à base en verre de 2 litre. Cet appareil est conforme aux normes

Figura 1 - Vista anteriore

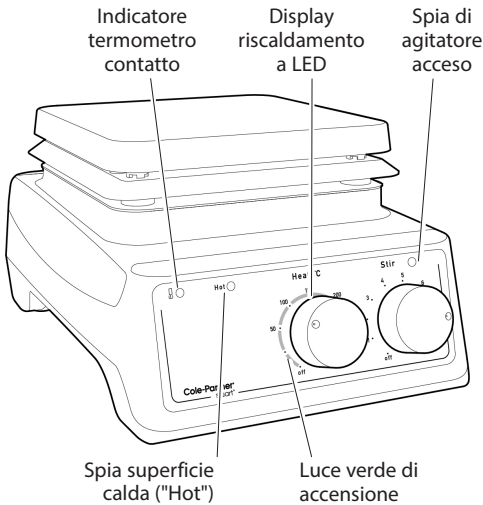


Figura 2 - Vista posteriore

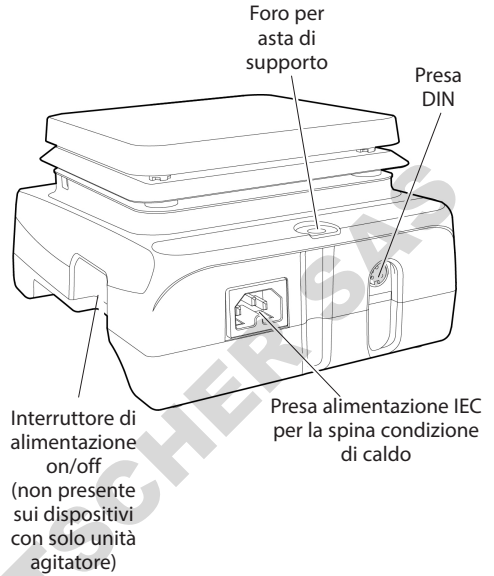


Figure 3 - Pannello frontale (versioni analogiche)

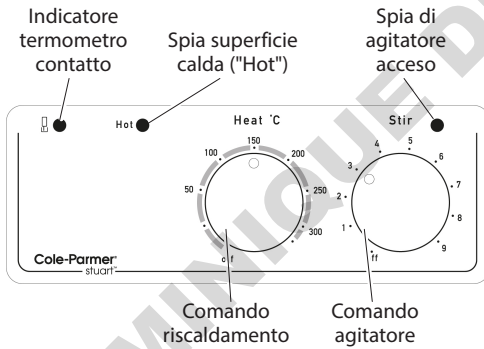
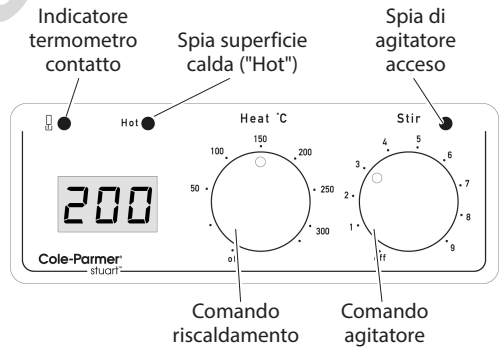


Figure 4 - Pannello frontale (versioni digitali)



Piastre riscaldanti e agitatori

UC150, UC151, UC152, UC152D,
US150, US151, US152, US152D

Introduzione

Grazie per aver acquistato questo prodotto di Cole-Parmer. Per assicurare sempre prestazioni ottimali e per la propria sicurezza, leggere attentamente le istruzioni di questa apparecchiatura prima dell'uso. Prima di eliminare la confezione controllare che tutti i componenti siano presenti e integri.

Condizioni di esercizio previste:

- Solo per uso al chiuso
- Usare in ambienti ben ventilati
- Temperatura ambiente compresa tra +5 °C e +40 °C
- Altitudine fino a 2000 m
- Umidità relativa non superiore all'80%
- Oscillazione dell'alimentazione elettrica non superiore al 10% del valore nominale
- Categoria di sovratensione II IEC60364-4-443
- Grado di inquinamento 2 IEC664
- Utilizzare l'unità a una distanza minima di 200 mm dalle pareti e da altri oggetti.

L'uso per scopi diversi da quelli indicati sul manuale e l'impiego di accessori differenti da quelli raccomandati da Cole-Parmer possono compromettere la protezione fornita dall'apparecchio.

Installazione elettrica



IL DISPOSITIVO DEVE ESSERE COLLEGATO A MASSA

Prima di effettuare il collegamento, assicurarsi che l'alimentazione corrisponda a quella indicata sulla targhetta dei dati nominali situata alla base dell'unità.

Requisiti di alimentazione:

Modello	Potenza	Modello	Potenza
UC150	530W	US150	750W
UC151	60W	US151	60W
UC152	600W	US152	800W
UC152D	600W	US152D	800W

Sul retro dello strumento è presente una presa IEC per applicazioni calde da collegare

all'alimentazione elettrica (vedere la Figura 2). Per collegare lo strumento, l'unità è dotata di un cavo di alimentazione con una spina a 3 pin (Regno Unito) o una spina a 2 pin IEC per applicazioni calde di tipo "Schuko".

Se il cavo non dovesse essere adatto per il collegamento all'alimentazione, sostituire la spina con un modello alternativo.

AFFIDARE QUESTA OPERAZIONE SOLO A UN ELETTRICISTA QUALIFICATO

NOTA: per assicurarsi che la spina e i fusibili siano adatti alla tensione e alla potenza indicate consultare la targhetta dei dati nominali dell'apparecchio.

Colori dei conduttori nel cavo di alimentazione:

MARRONE - FASE
BLU - NEUTRO
VERDE/GIALLO - TERRA

Il cablaggio del cavo di alimentazione USA è colorato come segue:

- NERO - IN DIRETTA
- BIANCA - NEUTRO
- VERDE / GIALLO - TERRA

Se occorre sostituire il cavo di alimentazione, usare un cavo di 1 mm² di codice armonizzato H05RR-F o H05RN-F collegato a una spina IEC per applicazioni calde.

IN CASO DI DUBBI CONTATTARE UN ELETTRICISTA QUALIFICATO

Indicazioni di sicurezza da leggere prima dell'uso

- Non usare lo strumento per riscaldare liquidi infiammabili.
- Non sollevare o trasportare lo strumento quando è acceso, e attendere almeno 30 minuti dopo lo spegnimento affinché si raffreddi. Seguire l'indicazione della spia di avvertenza temperatura elevata.
- L'unità deve essere trasportata usando entrambe le mani con le dita sotto i bordi laterali.
- Non spostare o trasportare l'unità quando sulla piastra superiore ci sono dei contenitori o mentre è collegata all'alimentazione elettrica.
- Vi è il pericolo che il liquido fuoriesca se i contenitori sono troppo pieni e vengono agitati ad alta velocità. Aumentare sempre la velocità dell'agitatore gradualmente e non superare mai quella necessaria.
- Non posizionare MAI un recipiente di vetro freddo su una piastra riscaldante già calda.
- Non usare MAI un'asta di supporto più lunga di 600 mm.
- Quando un'asta di supporto viene installata con l'apparecchio fissato, o quando le aste di supporto girano, assicurarsi che vi sia un peso sufficiente sulla piastra per evitare che l'intera unità si ribalti.
- Quando si usa un supporto di laboratorio, al fine di fornire all'unità una ventilazione adeguata, la base di tale supporto NON deve superare i 19,5 mm di altezza e i 125 mm di larghezza.
- Non posizionare il prodotto in modo che sia difficile scollegarlo dall'alimentazione di rete.
- Non toccare l'elemento riscaldante o qualsiasi recipiente di vetro durante l'uso.
- Non appoggiarsi o allungarsi su apparecchiature, vetreria e dispositivi di fissaggio quando sono in uso.
- Non immergere l'unità in acqua o in liquidi.
- Non versare sostanze sull'attrezzatura. In caso di fuoriuscita, scollegare l'unità dall'alimentazione di rete e seguire le istruzioni dettagliate in Pulizia e cura.
- Seguire sempre le buone pratiche di laboratorio quando si utilizzano queste attrezzature.
- Opera con la dovuta attenzione alla sicurezza della tua azienda e alle procedure legislative in materia di salute e sicurezza, nonché a tutta la legislazione associata applicabile all'interno delle tue aree operative.
- Controlla le procedure di laboratorio per le sostanze che vengono riscaldate e assicurati che tutti i pericoli che potrebbero sorgere (ad es. Esplosione, implosione o rilascio di gas tossici o infiammabili) siano stati adeguatamente affrontati prima di procedere.
- Quando si riscaldano determinate sostanze, lo sviluppo di gas pericolosi può richiedere l'uso di una cappa chimica o altri mezzi di eliminazione.
- Assicurarsi che l'apparecchiatura venga utilizzata su una superficie di lavoro solida, pulita, asciutta, non infiammabile, con una distanza adeguata di almeno 300 mm tutt'intorno dalle altre apparecchiature.
- Non utilizzare in atmosfere pericolose o con materiali pericolosi per i quali l'apparecchiatura non sia progettata.
- In caso di interruzione dell'alimentazione di rete, l'apparecchiatura riprenderà a funzionare una volta ripristinata l'alimentazione.
- Non posizionare il prodotto in modo che sia difficile scollegarlo dall'alimentazione di rete.
- Non toccare l'elemento riscaldante o qualsiasi recipiente di vetro durante l'uso.
- Non appoggiarsi o allungarsi su apparecchiature, vetreria e dispositivi di fissaggio quando sono in uso.
- Non immergere l'unità in acqua o in liquidi.
- Non versare sostanze sull'attrezzatura. In caso di fuoriuscita, scollegare l'unità dall'alimentazione di rete e seguire le istruzioni dettagliate in Pulizia e cura (pagina 22).
- Non utilizzare in atmosfere pericolose o con materiali pericolosi per i quali l'apparecchiatura non sia progettata.
- In caso di interruzione dell'alimentazione di rete, l'apparecchiatura riprenderà a funzionare una volta ripristinata l'alimentazione.

Funzionamento

Nota: durante l'utilizzo di qualsiasi piastra riscaldante in ceramica (UC150, UC151, UC152 e UC152D) a temperature superiori ai 180°C, la base per qualsiasi equipaggiamento utilizzato non deve entrare in contatto con il piano in ceramica al di fuori della Zona Calda, vedi figura 6.

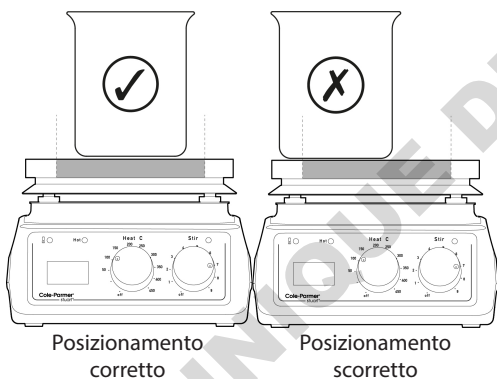
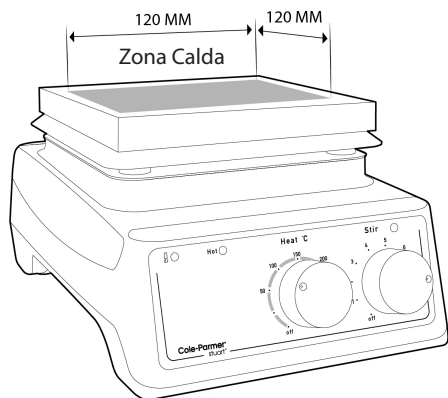


Figura 6

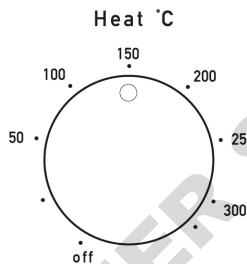
Questo permette di evitare danni alla piastra riscaldante.

Nota: i blocchi di riscaldamento modulari non sono adatti per l'utilizzo con piani di cottura in ceramica.

Riscaldamento

UC150, UC152, US150, US152

Accendere l'unità usando l'interruttore di alimentazione on/off (vedere la Figura 2).



La manopola di controllo "HEAT" (CALORE) sul pannello frontale controlla l'erogazione del calore e quindi la temperatura della piastra. È graduata con una scala approssimativa della temperatura. Tale scala si riferisce alla temperatura della piastra superiore e non alla temperatura del contenuto dei recipienti che vengono riscaldati.

Ruotare la manopola in senso orario fino alla temperatura richiesta della piastra. Mentre la piastra si riscalda, i segmenti LED della temperatura intorno alla manopola si accendono e la loro luminosità aumenta fino a quando la superficie non raggiunge la temperatura impostata. Al contrario, se l'unità si raffredda, i segmenti LED della temperatura si spengono man mano che la piastra si avvicina alla temperatura impostata.

UC152D, US152D

Accendere l'unità usando l'interruttore di alimentazione on/off (vedere la Figura 2). Quando la manopola "HEAT" è rivolta verso la posizione Power on/off (accensione spegnimento), il display LED mostra la parola "OFF". Ruotare la manopola sulla temperatura richiesta che verrà mostrata sul display LED. La temperatura aumenta in step di 5°C. Alcuni secondi dopo aver impostato la temperatura, il display passa a mostrare la temperatura effettiva della piastra riscaldante.

Se l'unità viene spenta usando l'interruttore di alimentazione on/off mentre il comando è in una posizione impostata, all'accensione successiva dell'unità, il display LED mostrerà la parola "On"

seguita a breve dalla temperatura precedentemente impostata. Il display passerà quindi a mostrare la temperatura effettiva della piastra superiore e l'unità inizierà a riscaldarsi fino alla temperatura impostata.



ATTENZIONE: Quando la superficie diventa troppo calda per essere toccata, la spia di avvertenza temperatura elevata "HOT" inizia a lampeggiare sul pannello frontale (vedere la Figura 1). Quando la temperatura della piastra supera i 50 °C, la spia continua a lampeggiare per un massimo di 30 minuti, anche se l'unità viene scollegata dall'alimentazione elettrica.



ATTENZIONE: La piastra potrebbe essere calda per oltre 30 minuti quando vi si lasciano sopra oggetti di grandi dimensioni, anche se la spia "HOT" si è spenta.



ATTENZIONE: La superficie dello strumento stesso potrebbe essere CALDA, in particolare nell'aria ambiente quando la superficie raggiunge una temperatura di 450 °C sui modelli in ceramica, e di 325 °C sui modelli in metallo. Non lasciare le piastre riscaldanti accese quando non vengono utilizzate.

Agitazione

UC151, UC152, UC152D, US151, US152, US152D

Accendere l'unità usando l'interruttore di alimentazione on/off (vedere la Figura 2). La manopola "STIR" (AGITATORE) sul pannello frontale controlla la velocità di agitazione. Quando si accende, si illumina una spia verde (vedere la Figura 1). La manopola è graduata su una scala arbitraria da 1 a 9. Ruotando la manopola verso un numero maggiore, si aumenta la velocità di agitazione.

Uso dell'accessorio opzionale controller della temperatura SCT2

UC150, UC152, UC152D, US150, US152, US152D

Il controller della temperatura SCT2 consente un controllo preciso della temperatura di campioni a base acquosa e oleosa in laboratorio, e può essere utilizzato in due modalità diverse: come controller di precisione della temperatura da 20 a 200 °C o come termometro digitale da -4 a 325 °C.

Il collegamento della sonda del controller della

temperatura SCT2 viene effettuato attraverso la presa della sonda DIN situata sulla parte posteriore della piastra riscaldante (vedere la Figura 2).

In modalità di controllo, il controllo del calore della piastra è disabilitato, consentendo così un controllo preciso della temperatura del campione attraverso il controller della temperatura SCT2. L'indicatore a LED del termometro di contatto illuminato indica la presenza di comunicazione tra il controller della temperatura SCT2 e la piastra (Figura 3).

Quando utilizzato in modalità monitor, l'SCT2 funziona come un termometro digitale e la temperatura della piastra riscaldante viene controllata mediante la manopola "HEAT" come descritto in precedenza. In questa modalità, i segmenti LED della temperatura adiacenti alla manopola "HEAT" (modelli analogici) o il display della temperatura LED (modelli digitali) fanno riferimento alla temperatura della superficie della piastra e non a quella del campione.

Per le istruzioni complete sul suo utilizzo, fare riferimento al manuale del controller della temperatura SCT2.

Pulizia e cura

Prima di iniziare la pulizia:

Assicurarsi che la piastra superiore sia fredda e scollegare l'alimentazione elettrica.

La struttura di metallo deve essere pulita con un panno umido e una soluzione detergente delicata.

Unità con superficie in ceramica:

Normalmente un panno umido è in grado di eliminare la maggior parte dei tipi di contaminanti. Per le macchie più difficili, si consiglia di usare un detergente in crema di uso domestico.

Eliminare immediatamente le fuoriuscite di materiale per facilitare la pulizia. In ogni caso, le fuoriuscite di alcali, acido fluoridrico e fosforico DEVONO essere rimosse immediatamente in quanto queste sostanze chimiche possono attaccare e danneggiare la vetroceramica. Assicurarsi di osservare le precauzioni di sicurezza appropriate.

Durante la pulizia e il normale funzionamento assicurarsi di non graffiare la superficie della piastra superiore per evitare una successiva rottura termica.



ATTENZIONE: Non utilizzare superfici in ceramica che risultino graffiate, scheggiate, corrose o danneggiate.

Unità con superficie in metallo:

La piastra superiore in metallo deve essere pulita con un panno umido e una soluzione detergente delicata.

Eliminare immediatamente le fuoriuscite di materiale per facilitare la pulizia. In ogni caso, le fuoriuscite di acidi e alcali DEVONO essere rimosse immediatamente in quanto queste sostanze chimiche possono attaccare e danneggiare la superficie della lega di alluminio di rivestimento. Assicurarsi di osservare le precauzioni di sicurezza appropriate.

Preparazione dei terreni di coltura

Prestare particolare attenzione quando si scaldano liquidi ad alta viscosità. I liquidi viscosi possono fungere da isolatori termici e causare la rottura termica degli oggetti in vetro. Si tratta di un aspetto molto importante per le soluzioni dei terreni di coltura, in quanto la viscosità solitamente aumenta all'aumentare della temperatura.

- Assicurarsi che l'azione mescolatrice sia sufficiente ad agitare tutto il liquido. Eventuali zone di liquido non agitate possono generare un trasferimento non uniforme del calore e degli "hot spot" negli oggetti di vetro. Questi a loro volta possono provocare shock termico e guasti.
- Controllare regolarmente l'azione mescolatrice per assicurarsi che sia adeguata all'aumento di viscosità della soluzione.
- Usare sempre la barretta di agitazione magnetica più grande possibile e se necessario usare un agitatore meccanico ad asta.
- Non usare recipienti di vetro con pareti spesse, ad es., articoli Pyrex ad alta resistenza o becher e palloni standard aventi una capacità di 5 litri o superiore.
- Non scaldare MAI bottiglie di vetro su una piastra riscaldante.
- Assicurarsi che il calore aumenti in modo graduale per evitare un eventuale

surriscaldamento localizzato.

- Assicurarsi che gli oggetti di vetro siano completamente privi di graffi o altri difetti.
- Posizionare la piastra riscaldante su un vassoio abbastanza grande da contenere il liquido qualora gli strumenti di vetro si rompano.
- Utilizzare abbigliamento e strumenti di protezione adeguati, quali guanti, occhiali, camice protettivo e così via.

Conservazione

L'unità è stata progettata in modo tale che la piastra superiore alloggi perfettamente nella piastra base dell'unità successiva per una conservazione semplice e compatta di più unità quando vengono disposte su un lato (vedere la Figura 5).

Accessori

SR1

L'asta SR1 è disponibile come apparecchio di supporto utilizzabile con il dispositivo. Lo strumento è dotato di un raccordo sulla parte posteriore per installare l'asta di supporto SR1 (vedere la Figura 2). Per inserire l'asta nello strumento, scollegare innanzitutto l'alimentazione elettrica e lasciare che si raffreddi. Quindi avvitare l'estremità filettata dell'asta di supporto nel raccordo presente sulla parte posteriore del dispositivo. La forma della base consente inoltre l'utilizzo di un sostegno per l'asta di supporto di forma rettangolare, le cui dimensioni non devono superare i 19,5 mm di altezza e i 125 mm di larghezza, da posizionare direttamente sotto l'unità. L'accessorio SR1 è 12 x 600 mm (L x A).

SCT2

Per maggiori informazioni sul controller della temperatura SCT2 fare riferimento a pagina 22.

Blocchi riscaldanti

Le piastre riscaldanti in metallo possono essere utilizzate con una serie completa di blocchi riscaldanti modulari per scaldare i palloni a fondo tondo. Per maggiori informazioni visitare il sito

web di Stuart, www.stuart-equipment.com.

Nota: i blocchi di riscaldamento modulari non sono adatti per l'utilizzo con piastre riscaldanti in ceramica.

Risoluzione dei problemi

UC150, UC152, UC152D, US150, US152, US152D

Se lo strumento rileva un errore, vengono visualizzati i seguenti codici di errore. Nei modelli digitali, gli errori sono mostrati come Er1, Er2 ecc. sul display LED. Nei modelli analogici, la condizione Er1 viene indicata attraverso il lampeggiamento del primo LED nella scala della temperatura, Er2 invece attraverso il lampeggiamento del secondo LED e così via.

- Er1 – Errore range della sonda – Se SCT2 riporta che la temperatura della sonda è > 325 °C o < -99 °C.
- Er2 – Errore perdita box SCT2 – Perdita della comunicazione con l'SCT2.
- Er3 – Errore temperatura piastra – Se la piastra riscaldante misura una temperatura > 585 °C o < -9,9°C.
- Er4 – Errore ambiente piastra – Se la temperatura rilevata all'interno della piastra (non la temperatura della piastra) è di 85 °C.
- Er5 – Errore carattere SCT2 – L'SCT2 ha ricevuto un carattere sconosciuto.
- Er6 – Errore sonda fuori – Lo strumento rileva che la sonda dell'SCT2 è stata rimossa dalla soluzione che viene riscaldata.
- Er7 – Errore timeout SCT2 – L'SCT2 non ha risposto a una richiesta entro il tempo richiesto.

Manutenzione e riparazione

Questa gamma di prodotti non necessita di manutenzione periodica.

Nota: Non sono presenti componenti interni sostituibili dall'utente.

In caso di guasto, qualsiasi riparazione deve essere effettuata solo da personale qualificato. Per ricevere indicazioni o per ottenere il manuale di assistenza, contattare il reparto di assistenza di Cole-Parmer.

Utilizzare solo ricambi forniti direttamente da Cole-Parmer o dai suoi rappresentanti. L'impiego di componenti non autorizzati può compromettere le prestazioni delle caratteristiche di sicurezza dello strumento.

Nota: La guida dell'agitatore magnetico utilizza delle calamite molto potenti.

In caso di dubbio, consultare il servizio di assistenza di Cole-Parmer.

Cole-Parmer Ltd.
Beacon Road,
Stone, Staffordshire,
ST15 0SA, United Kingdom
Tel: +44 (0)1480 272279
Email: uk.sales@antylia.com
Web: www.coleparmer.com

Ricambi

Per un elenco completo dei ricambi disponibili, contattare il servizio di assistenza di Cole-Parmer indicando il modello e il numero di serie.

Per altre richieste di carattere tecnico contattare il Servizio di assistenza tecnica.

Garanzia

Cole-Parmer Ltd. garantisce questo strumento da difetti di materiale e fabbricazione per un periodo di tre (3) anni, se utilizzato in normali condizioni di laboratorio. In caso di reclamo giustificato Cole-Parmer sostituirà gratuitamente qualsiasi componente difettoso o l'intera unità.

La garanzia sul prodotto NON è valida se:

- La superficie di ceramica si è rotta a causa di urti, graffi, scheggiature o corrosioni chimiche.
- È stata effettuata o tentata una riparazione da un soggetto diverso da Cole-Parmer o dal suo rappresentante.
- Compaiono lievi scheggiature e graffi del rivestimento durante il normale utilizzo.
- In presenza di danni dovuti a: incendi, incidenti, uso non conforme, negligenza, errori di regolazione o di riparazione, danni dovuti a

Specifiche tecniche

Piastreriscaldanti e agitatori

	US152	UC152	US152D	UC152D
Materiale della piastra	Rivestimento di alluminio/silicio	Vetroceramica	Rivestimento di alluminio/silicio	Vetroceramica
Dimensione piastra, mm	150 x 150	150 x 150	150 x 150	150 x 150
Area riscaldata, mm	150 x 150	120 x 120	150 x 150	120 x 120
Comando riscaldamento	Analogico	Analogico	Digitale	Digitale
Potenza riscaldamento, W	800	600	800	600
Temp. max piastra °C	325	450	325	450
Temp. min impostazione, °C	-	-	25	25
Velocità agitatore, rpm	100-2000	100-2000	100-2000	100-2000
Capacità max agitatore, L*	15	15	15	15
Compatibile con SCT2	Sì	Sì	Sì	Sì
Precisione controllo con SCT2	±1 °C	±1 °C	±1 °C	±1 °C
Dimensioni (L x P x A), mm	180 x 255 x 122	180 x 255 x 122	180 x 255 x 122	180 x 255 x 122
Peso netto, kg	3.1	3.1	3.1	3.1
Potenza, W	800	600	800	600
Alimentazione elettrica	120 V, 60 Hz o 230 V, 50 Hz	120 V, 60 Hz o 230 V, 50 Hz	120 V, 60 Hz o 230 V, 50 Hz	120 V, 60 Hz o 230 V, 50 Hz

	US150	UC150
Materiale della piastra	Rivestimento di alluminio/silicio	Vetroceramica
Dimensione piastra, mm	150 x 150	150 x 150
Area riscaldata, mm	150 x 150	120 x 120
Comando riscaldamento	Analogico	Analogico
Potenza riscaldamento, W	750	530
Temp. max piastra °C	325	450
Compatibile con SCT2	Sì	Sì
Precisione controllo con SCT2	±1 °C	±1 °C
Dimensioni (L x P x A), mm	180 x 255 x 122	180 x 255 x 122
Peso netto, kg	2.5	2.5
Potenza, W	750	530
Alimentazione elettrica	120 V, 60 Hz o 230 V, 50 Hz	120 V, 60 Hz o 230 V, 50 Hz

	US151	UC151
Materiale della piastra	Acciaio inox	Vetroceramica
Dimensione piastra, mm	150 x 150	150 x 150
Velocità agitatore, rpm	100-2000	100-2000
Capacità max agitatore, L*	15	15
Compatibile con SCT2	No	No
Dimensioni (L x P x A), mm	180 x 255 x 109	180 x 255 x 107
Peso netto, kg	2.4	2.4
Potenza, W	60	60
Alimentazione elettrica	120 V, 60 Hz o 230 V, 50 Hz	120 V, 60 Hz o 230 V, 50 Hz

*In base all'acqua contenuta in un pallone a fondo tondo di vetro da 20 litri.

Figura 1: Vista frontal

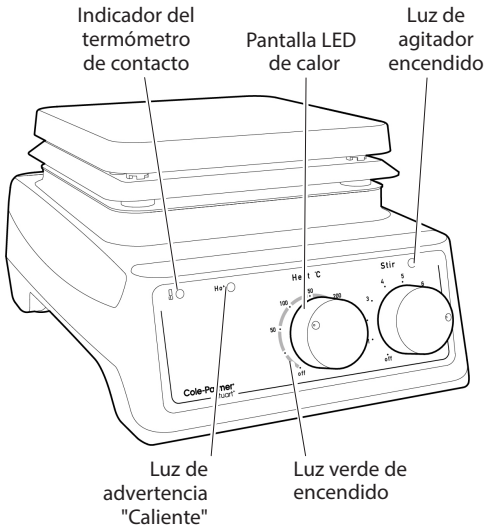


Figura 2: Vista posterior

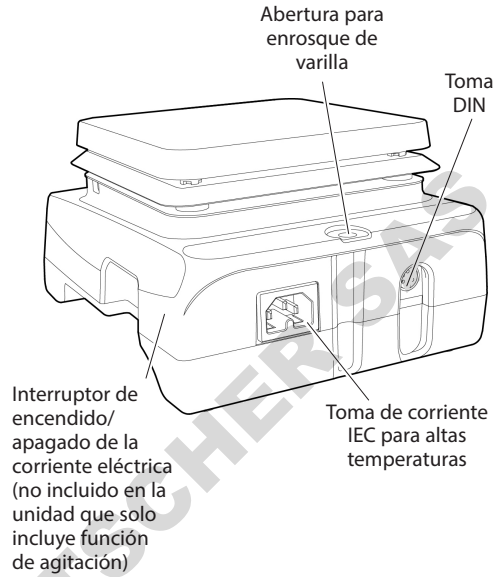


Figura 3 - Panel frontal (versiones analógicas)

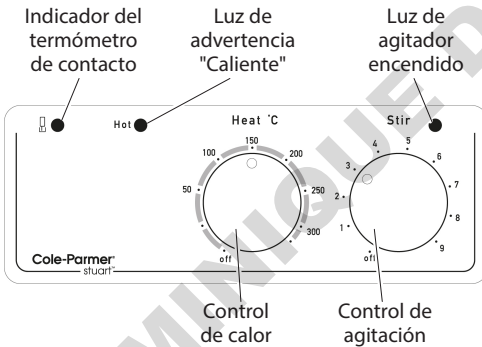
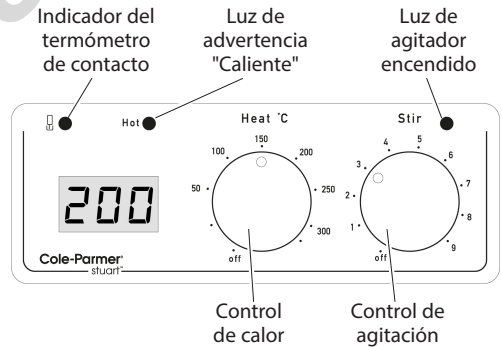


Figura 4 - Panel frontal (versiones digitales)



Placas calefactoras y agitadores

UC150, UC151, UC152, UC152D,
US150, US151, US152, US152D

Introducción

Gracias por adquirir este producto de Cole-Parmer. Para conseguir el mejor rendimiento del equipo y por su propia seguridad, lea atentamente estas instrucciones antes de ponerlo en marcha. Compruebe que no falta ninguna pieza y que todas están en buen estado antes de desechar el embalaje.

Este equipo está diseñado para funcionar en las siguientes condiciones:

- Sólo para uso en interiores
- Debe utilizarse en un área bien ventilada
- Rango de temperatura ambiente de +5 °C a +40 °C
- Altitud hasta 2.000 m
- Humedad relativa no superior al 80 %
- Fluctuaciones del suministro eléctrico no superiores al 10 % del valor nominal
- Categoría de sobretensión II según la norma IEC60364-4-443
- Grado de contaminación 2 IEC664
- Usar a una distancia mínima de 200 mm de paredes u otros elementos

Si el equipo no se utiliza de la forma descrita en este manual y se emplean accesorios diferentes a los recomendados por Cole-Parmer, la protección ofrecida puede verse afectada.

Instalación eléctrica



ESTE EQUIPO DEBE CONECTARSE A TIERRA

Antes de conectarlo, asegúrese de que la alimentación de red corresponde a la indicada en la placa de especificaciones técnicas situada en la base de la unidad.

Potencia requerida:

Modelo	Potencia	Modelo	Potencia
UC150	530 W	US150	750 W
UC151	60 W	US151	60 W
UC152	600 W	US152	800 W
UC152D	600 W	US152D	800 W

En la parte posterior del aparato hay una toma de corriente IEC para altas temperaturas diseñada para conectar el equipo a la corriente eléctrica (ver figura 2). La unidad se suministra con un cable de alimentación equipado con un enchufe IEC para altas temperaturas de 3 clavijas para el Reino Unido o tipo "Schuko" de 2 clavijas para conectar el aparato.

Si el cable no es adecuado para su conexión a la red eléctrica, sustitúyalo por el enchufe correspondiente.

ESTA OPERACIÓN DEBE REALIZARLA UN ELECTRICISTA DEBIDAMENTE CAPACITADO

NOTA: Consulte la placa de características técnicas del equipo para asegurarse de que el enchufe y el fusible son adecuados para la tensión y potencia indicadas.

Los hilos del cable de alimentación tienen los colores siguientes:

MARRÓN - ACTIVO
AZUL - NEUTRO
VERDE/AMARILLO - TIERRA

El cableado del cable de alimentación de EE. UU. Tiene el siguiente color:

- NEGRO - ACTIVO
- BLANCO - NEUTRO
- VERDE / AMARILLO - TIERRA

Si es necesario sustituir el cable de alimentación, deberá utilizarse un cable de 1mm² de código armonizado H05RR-F o H05RN-F conectado a un enchufe IEC para altas temperaturas.

SI TIENE ALGUNA DUDA, CONSULTE A UN ELECTRICISTA ACREDITADO

Aviso de seguridad antes del uso

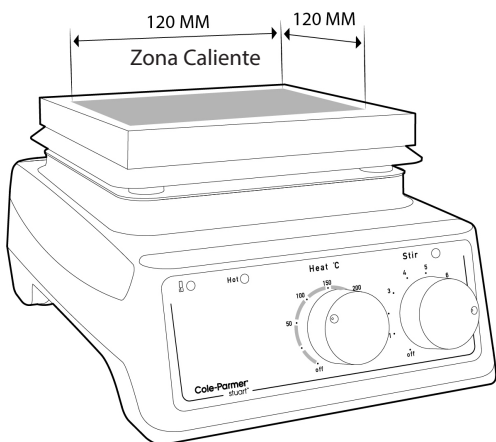
- No usar el aparato para calentar líquidos inflamables.
- No levante ni transporte nunca el aparato sin apagarlo antes y déjelo enfriar al menos durante 30 minutos. La luz de advertencia de alta temperatura le servirá de indicador.
- La unidad debe transportarse con ambas manos, situando los dedos bajo los bordes laterales.
- No desplace ni transporte nunca la unidad si hay algún recipiente en la placa superior o si está conectada a la red eléctrica.
- Existe riesgo de que se viertan líquidos si los recipientes se llenan en exceso y se agitan a alta velocidad. Seleccione siempre una velocidad de agitación lenta, y nunca agite a mayor velocidad de la necesaria.
- No coloque NUNCA recipientes de vidrio fríos sobre una placa calefactora que esté caliente.
- No utilice NUNCA una varilla de enrosque de longitud superior a 600 mm.
- Cuando instale una varilla de enrosque con un aparato fijado a ella, o al girar las varillas de soporte, asegúrese de que haya peso suficiente en la placa para evitar que caiga toda la unidad.
- Cuando use un soporte de enrosque, y para que la unidad disponga de una ventilación adecuada, la base del soporte de enrosque NO debe superar los 19,5 mm de altura ni los 125 mm de anchura.
- Siga siempre las buenas prácticas de laboratorio al utilizar este equipo. Reconozca debidamente los procedimientos de seguridad y salud legislativos de su empresa y toda la legislación asociada aplicable a sus áreas de operación. Verifique los procedimientos de laboratorio para las sustancias que se están calentando y asegúrese de que todos los peligros (por ejemplo, explosión, implosión o liberación de gases tóxicos o inflamables) que puedan surgir se hayan abordado adecuadamente antes de continuar. Al calentar determinadas sustancias, la liberación de gases peligrosos puede requerir el uso de una campana extractora u otros medios de extracción
- Asegúrese de que el equipo se utiliza en una superficie de trabajo sólida, limpia, seca y no combustible, con un espacio libre adecuado con respecto a otros equipos de al menos 300 mm.
- No coloque el producto de manera que sea difícil desconectarlo de la red eléctrica.
- No toque el elemento calefactor ni ningún recipiente de vidrio durante el uso.
- No se incline ni se estire sobre equipos, cristalería y fijaciones cuando estén en uso.
- No sumerja la unidad en agua o líquidos.
- No derrame sustancias sobre el equipo. Si se produce un derrame, desconecte la unidad de la red eléctrica y siga las instrucciones que se detallan en la parte Limpieza y Cuidados (página 30).
- No lo utilice en ambientes peligrosos con materiales peligrosos para los que el equipo no está diseñado.
- En caso de que haya una interrupción en el suministro eléctrico, el equipo volverá a funcionar una vez que se restablezca la electricidad.

Funcionamiento

Nota: Cuando utilice cualquiera de las placas calefactoras de cerámica (UC150, UC151, UC152 y UC152D) a temperaturas superiores a 180 °C, la base de cualquier equipo utilizado no debe entrar en contacto con la placa cerámica fuera de la Zona

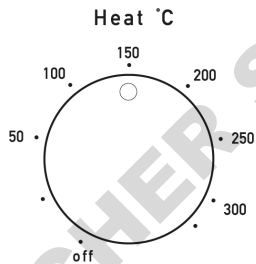
Esto evitará dañar la placa calefactora.

Nota: Los bloques de calefacción modulares no son adecuados para usarse con placas calefactora de cerámica.

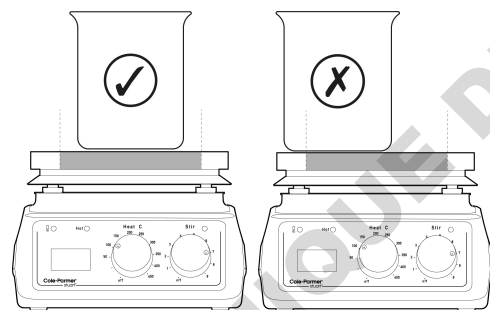


UC150, UC152, US150, US152

Encienda la unidad usando el interruptor de encendido/apagado (ver figura 2).



El mando giratorio de control del "CALOR" presente en el panel frontal controla la emisión de calor y, por tanto, la temperatura de la placa. Está graduado con una escala de temperatura aproximada. Esta escala hace referencia a la temperatura en la superficie de la placa, y no a la temperatura del contenido del recipiente que se está calentando.



Posicionamiento
correcto

Posicionamiento
incorrecto

Figura 6

Gire el mando giratorio de control en sentido horario hasta la temperatura que desea que alcance la placa. A medida que la placa se calienta, los distintos segmentos LED de temperatura se iluminarán sucesivamente aumentando la intensidad de la luz hasta alcanzar la temperatura de superficie establecida. Por el contrario, si la unidad se está enfriando, los segmentos LED de temperatura se irán apagando a medida que la placa alcance la temperatura establecida.

UC152D, US152D

Encienda la unidad usando el interruptor de encendido/apagado (ver figura 2). Cuando el mando giratorio de control del "CALOR" señale la posición de encendido/apagado, la pantalla LED mostrará la palabra "APAGADO". Gire el mando de control giratorio hasta la temperatura deseada, que aparecerá en la pantalla LED. La temperatura se incrementará en pasos de 5 °C. Unos segundos después de ajustar la temperatura, la pantalla volverá a mostrar la temperatura real de la placa calefactora.

Si la unidad se apaga con el interruptor de encendido/apagado mientras que el control está en una posición fija, la próxima vez que la unidad se encienda, la pantalla LED mostrará la palabra "Encendido" seguida de la temperatura ajustada previamente. A continuación, la pantalla volverá a mostrar la temperatura real de la superficie de la placa y la unidad volverá a calentar hasta la temperatura programada.



ADVERTENCIA: Cuando la temperatura de la superficie es demasiado alta como para tocar el aparato, la luz roja de advertencia de "CALIENTE" del panel frontal empezará a parpadear (ver figura 1). Esta luz seguirá parpadeando mientras la temperatura de la placa sea superior a 50 °C durante un máximo de 30 minutos, incluso si la unidad se desconecta de la red de suministro eléctrico.



ADVERTENCIA: La placa puede seguir caliente más de 30 minutos si se dejan en la placa objetos de gran tamaño, incluso si la luz de advertencia "CALIENTE" se ha apagado.



ADVERTENCIA: La superficie superior del aparato puede estar CALIENTE, especialmente al aire libre, cuando pueden alcanzarse temperaturas de superficie de 450 °C en los modelos con superficie cerámica y 325 °C en los modelos con superficie metálica. No deje los calentadores encendidos cuando no se utilicen.

Agitación

UC151, UC152, UC152D, US151, US152, US152D

Encienda la unidad usando el interruptor de encendido/apagado (ver figura 2). El mando de control giratorio "AGITAR" del panel frontal controla la velocidad del agitador. Cuando el agitador está encendido, se ilumina una luz verde indicando que el agitador está activado (ver figura 1). El mando giratorio incluye una escala graduada de forma arbitraria de 1 a 9. Al girar el mando de control giratorio a un valor numérico más alto, aumenta la velocidad del agitador.

Uso del controlador de temperatura SCT2 accesorio opcional

UC150, UC152, UC152D, US150, US152, US152D

El controlador de temperatura SCT2 permite el control preciso de la temperatura de muestras con base acuosa u oleosa en el laboratorio, y puede usarse en dos modos diferentes: como

controlador de precisión de la temperatura, de 20 a 200 °C, o como termómetro digital, de -4 a 325 °C.

La conexión de la sonda del controlador de temperatura SCT2 se realiza a través de la toma DIN para la sonda situada en la parte posterior de la placa calefactora (ver figura 2).

En modo control, el control del calor de la placa calefactora está desactivado, lo que permite un control preciso de la temperatura de la muestra a través del controlador de temperatura SCT2. El LED indicador del termómetro de contacto iluminado indica la comunicación entre el controlador de temperatura SCT2 y la placa calefactora (figura 3).

Cuando se usa en modo monitor, el SCT2 funciona como un termómetro digital y la temperatura de la placa calefactora se controla con el mando de control de "CALOR", como se describió anteriormente. En este modo, los segmentos LED de temperatura que rodean al mando de control de "CALOR" (modelos analógicos) o la pantalla LED de temperatura (modelos digitales) indican la temperatura de la superficie de la placa calefactora y no la de la muestra.

Si desea conocer las instrucciones de uso completas, consulte el manual del controlador de temperatura SCT2.

Limpieza y cuidados

Antes de intentar limpiar el aparato:

Compruebe que la superficie de la placa está fría y desconecte de la corriente eléctrica.

La carcasa metálica debe limpiarse con un paño húmedo y una solución detergente suave.

Unidades con placa superior de cerámica:

Un paño húmedo eliminará normalmente casi cualquier tipo de contaminación. Para quitar manchas más rebeldes se recomienda el uso de una crema limpiadora casera.

La limpieza se facilita si los vertidos se quitan con rapidez. En cualquier caso, los vertidos de bases, ácido fosfórico y ácido fluorhídrico DEBEN limpiarse de inmediato debido a que estos productos químicos pueden atacar y dañar la vitrocerámica.

Asegúrese de que se adoptan las medidas de seguridad adecuadas.

Durante la limpieza y el uso general hay que tener cuidado de no rayar la superficie de la placa ya que esto podría originar un choque térmico posterior.



ADVERTENCIA: Si la placa de cerámica está arañada, desconchada, corroída por productos químicos o ha sufrido algún daño, no deberá usarse.

Unidades con placa superior metálica:

La placa superior metálica debe limpiarse con un paño humedecido y una solución detergente suave.

La limpieza se facilita si los vertidos se quitan con rapidez. En cualquier caso, los vertidos de ácidos y bases DEBEN eliminarse de forma inmediata, ya que estos productos químicos pueden atacar y dañar la superficie de la aleación de aluminio revestido. Asegúrese de que se adoptan las medidas de seguridad adecuadas.

Preparación de los medios

Tenga especial cuidado al calentar líquidos altamente viscosos. Los líquidos viscosos pueden actuar como aislantes térmicos y pueden provocar el choque térmico de materiales de vidrio. Esto es muy importante con los medios de cultivo, ya que normalmente la viscosidad aumentará a medida que aumenta la temperatura.

- Asegúrese de que la agitación sea lo suficientemente potente como para agitar todo el volumen de líquido. Las zonas de líquido que no se agiten pueden provocar transferencias de calor irregulares, produciendo "puntos calientes" en el material de vidrio. Esto podría provocar estrés térmico, provocando en consecuencia fallos.
- Compruebe regularmente la agitación para asegurarse de que es la correcta a medida que aumenta la viscosidad de la solución.
- Utilice siempre el agitador magnético del mayor tamaño posible y, si es necesario, utilice un agitador mecánico vertical.

- No utilice recipientes de vidrio de paredes gruesas, como los recipientes Heavy Duty Ware de Pyrex ni vasos o frascos de 5 litros o mayor capacidad.
- NUNCA caliente botellas de vidrio sobre una placa calefactora.
- Asegúrese de que el calor aumenta lentamente, para evitar un sobrecalentamiento localizado.
- Asegúrese de que el material de vidrio no presenta arañazos ni ningún otro defecto.
- Coloque la placa calefactora en una bandeja lo bastante grande para contener el líquido en caso de fallo del material de vidrio.
- Utilice ropa de seguridad adecuada, p. ej., guantes, gafas de seguridad, delantal protector, etc.

Almacenamiento

La unidad está diseñada para que la parte superior de la placa encaje en la base de la siguiente unidad, con el fin de almacenar de forma fácil y en un espacio reducido múltiples unidades colocadas en posición lateral (ver figura 5).

Accesorios

SR1

La varilla SR1 se encuentra disponible como soporte de los aparatos utilizados con el equipo. El equipo dispone de una conexión en la parte posterior para fijar la varilla de soporte, de referencia SR1 (ver figura 2). Para fijar la varilla al equipo, desconecte en primer lugar la corriente eléctrica y deje que se enfríe. Enrosque el extremo roscado de la varilla de soporte en el orificio situado en la parte posterior del equipo. La forma de la base también permite colocar un soporte de varilla de enrosque rectangular, cuyas dimensiones no sean superiores a 19,5 mm de alto y 125 mm de ancho, para colocarla directamente debajo de la unidad. La dimensiones del modelo SR1 son 12 × 600 mm (ancho × alto).

SCT2

Para obtener más información sobre el controlador de temperatura SCT2, consulte la página 30.

Bloques calefactores

Una gama completa de bloques calefactores modulares para el calentamiento de matraces de fondo redondo se encuentra disponible para ser usados con placas calefactoras de superficie metálica. Para obtener más información, visite el sitio web de Stuart, www.stuart-equipment.com.

Nota: Los bloques de calefacción modulares no son adecuados para uso con placas de cocción de calefacción.

Resolución de problemas

UC150, UC152, UC152D, US150, US152, US152D

Si el instrumento detecta una situación de error, se mostrarán los siguientes códigos de error. En los modelos digitales los errores se muestran en la pantalla LED como Er1, Er2, etc. En los modelos analógicos la situación Er1 se muestra mediante el parpadeo del primer LED de la escala de temperatura, Er2 se muestra mediante el parpadeo del segundo LED, y así sucesivamente.

- Er1 – Error de rango en la sonda – Si SCT2 informa de una temperatura en la sonda $> 325\text{ }^{\circ}\text{C}$ o $< -99\text{ }^{\circ}\text{C}$.
- Er2 – Error pérdida de cuadro SCT2 – Se ha perdido la comunicación con el SCT2.
- Er3 – Error temperatura de placa calefactora – Si la placa calefactora mide una temperatura $> 585\text{ }^{\circ}\text{C}$ o $< -9,9\text{ }^{\circ}\text{C}$.
- Er4 – Error de ambiente en placa calefactora – Si la temperatura medida en el interior de la placa calefactora (no la temperatura en la superficie de la placa) es $85\text{ }^{\circ}\text{C}$.
- Er5 – Error de carácter en SCT2 – Se ha recibido un carácter desconocido desde SCT2.
- Er6 – Error de sonda fuera – El aparato detecta que la sonda del SCT2 ha sido retirada de la solución que se está calentando.
- Er7 – Error de tiempo de espera superado en SCT2 – El SCT2 no respondió a una solicitud en el tiempo requerido.

Mantenimiento y reparación

Los productos de esta gama no requieren revisiones de rutina.

Nota: No hay piezas internas que puedan ser sustituidas por el usuario.

En caso de fallo del producto se recomienda que las reparaciones sean llevadas a cabo exclusivamente por personal debidamente capacitado. Si desea recibir asesoramiento o recibir un manual de servicio, póngase en contacto con el Departamento de Mantenimiento de Cole-Parmer.

Sólo deben utilizarse recambios originales suministrados por Cole-Parmer o sus agentes autorizados. La instalación de piezas no aprobadas puede afectar al rendimiento y a las características de seguridad del equipo.

Nota: El motor del agitador magnético utiliza imanes muy potentes.

Si tiene alguna duda, póngase en contacto con el Departamento de Mantenimiento:

Cole-Parmer Ltd.
Beacon Road,
Stone, Staffordshire,
ST15 0SA, United Kingdom
Tel: +44 (0)1480 272279
Email: uk.sales@antylia.com
Web: www.coleparmer.co.uk

Piezas de repuesto

Si desea obtener una lista completa de las piezas, póngase en contacto con el Departamento de Mantenimiento de Cole-Parmer, mencionando el modelo y el número de serie.

Para cualquier otra consulta técnica, póngase en contacto con el Departamento de Soporte Técnico.

Garantía

Cole-Parmer Ltd. garantiza que este equipo se encuentra libre de defectos de material o fabricación, siempre que se utilice en condiciones normales de laboratorio, durante un período de tres (3) años. En caso de una reclamación justificada, Cole-Parmer sustituirá los componentes defectuosos o toda la unidad sin cargo alguno.

Esta garantía NO será de aplicación en los siguientes casos:

- La superficie cerámica se ha roto debido a un impacto mecánico, rasguño, desgaste o a corrosión por algún producto químico.
- El aparato ha sido reparado o manipulado por personal no aprobado por Cole-Parmer o sus agentes.
- Se observan pequeños desconchones y arañazos en el revestimiento a raíz de lo que se considera un uso normal.
- El daño ha sido causado por incendio, accidente, mal uso, negligencia, ajuste o reparación incorrectos, o se han producido daños por la instalación, adaptación, modificación o montaje de piezas no aprobadas.

DOMINIQUE DUTSCHER SAS

Especificaciones técnicas

Agitadores de placa calefactora	US152	UC152	US152D	UC152D
Material de la placa	Aluminio/silicio revestido	Vitrocerámica	Aluminio/silicio revestido	Vitrocerámica
Dimensiones de la placa, mm	150 x 150	150 x 150	150 x 150	150 x 150
Área caliente, mm	150 x 150	120 x 120	150 x 150	120 x 120
Control del calentador	Analógico	Analógico	Digital	Digital
Potencia del calentador, W	800	600	800	600
Máx. temp. placa, °C	325	450	325	450
Mín. temp. establ., °C	-	-	25	25
Velocidad agitador, rpm	100-2.000	100-2.000	100-2.000	100-2.000
Máx. capacidad de agitación, l*	15	15	15	15
Compatible con SCT2	Sí	Sí	Sí	Sí
Precisión del control con SCT2	±1 °C	±1 °C	±1 °C	±1 °C
Dimensiones				
(anch. x fon. x alt.), mm	180 x 255 x 122	180 x 255 x 122	180 x 255 x 122	180 x 255 x 122
Peso neto, kg	3.1	3.1	3.1	3.1
Potencia, W	800	600	800	600
Alimentación eléctrica	120 V, 60 Hz o 230V, 50Hz	120 V, 60 Hz o 230V, 50Hz	120 V, 60 Hz o 230V, 50Hz	120 V, 60 Hz o 230V, 50Hz

Placas calefactoras	US150	UC150
Material de la placa	Aluminio/silicio revestido	Vitrocerámica
Dimensiones de la placa, mm	150 x 150	150 x 150
Área caliente, mm	150 x 150	120 x 120
Control del calentador	Analógico	Analógico
Potencia del calentador, W	750	530
Máx. temp. placa, °C	325	450
Compatible con SCT2	Sí	Sí
Precisión del control con SCT2	±1 °C	±1 °C
Dimensiones (anch. x fon. x alt.), mm	180 x 255 x 122	172 x 248 x 122
Peso neto, kg	2.5	2.5
Potencia, W	750	530
Alimentación eléctrica	120 V, 60 Hz o 230 V, 50 Hz	120 V, 60 Hz o 230 V, 50 Hz

Agitadores	US151	UC151
Material de la placa	Acero inoxidable	Vitrocerámica
Dimensiones de la placa, mm	150 x 150	150 x 150
Velocidad agitador, rpm	100-2.000	100-2.000
Máx. capacidad de agitación, l*	15	15
Compatible con SCT2	No	No
Dimensiones (anch. x fon. x alt.), mm	180 x 255 x 109	180 x 255 x 107
Peso neto, kg	2.4	2.4
Potencia, W	60	60
Alimentación eléctrica	120 V, 60 Hz o 230 V, 50 Hz	120 V, 60 Hz o 230 V, 50 Hz

*Basado en el agua contenida en un matraz de vidrio de 20 litros.

Deutsch

Abbildung 1 - Vorderansicht

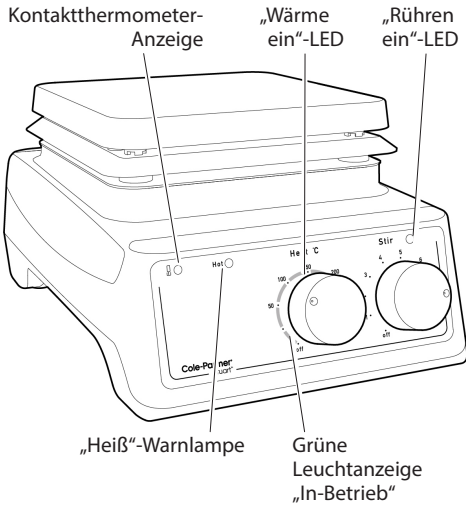


Abbildung 2 - Rückansicht

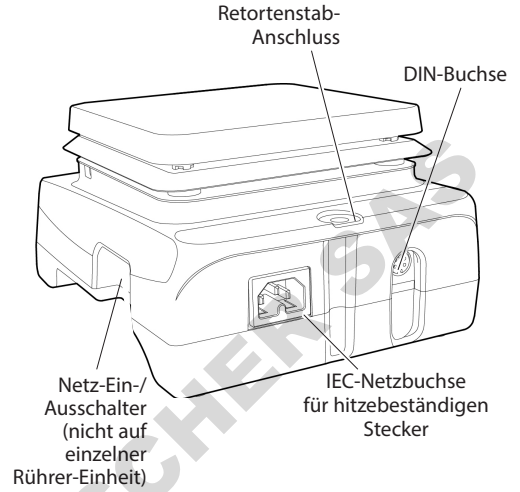


Abbildung 3: Vorderseite (analoge Versionen)

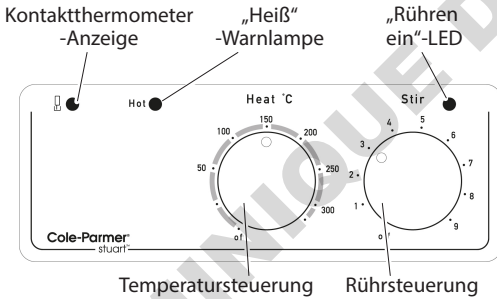
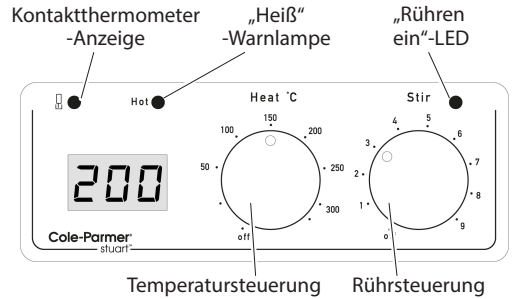


Abbildung 4: Vorderseite (digitale Versionen)



Heizplatten & Magnetrührer

UC150, UC151, UC152, UC152D,
US150, US151, US152, US152D

Einführung

Vielen Dank, dass Sie sich für dieses Stuart-Produkt entschieden haben. Um die optimale Leistung des Geräts und Ihre eigene Sicherheit zu gewährleisten, lesen Sie diese Bedienungsanleitung bitte sorgfältig durch, bevor Sie das Gerät in Betrieb nehmen. Überprüfen Sie vor dem Entsorgen der Verpackung, ob alle Teile vorhanden und in Ordnung sind.

Dieses Gerät ist für den Betrieb unter folgenden Bedingungen ausgelegt:

- Nur für den Betrieb in Innenräumen
- Betrieb in gut belüfteten Räumen
- Umgebungstemperatur +5°C bis +40°C
- Höhenlage bis 2000 m
- Relative Luftfeuchtigkeit maximal 80 %
- Schwankungen in der Stromversorgung maximal 10 % des Sollwerts
- Überspannungskategorie II IEC60364-4-443
- Verschmutzungsgrad 2 IEC664
- Halten Sie einen Mindestabstand von 200 mm zu Wänden und anderen Dingen um das gesamte Gerät herum ein

Das Gerät darf nur in der hier beschriebenen Weise und mit Zubehör betrieben werden, das von Cole-Parmer empfohlen wurde, da andernfalls die eingebauten Schutzeinrichtungen beeinträchtigt werden können.

Elektrische Installation



DIESES GERÄT MUSS GEERDET WERDEN

Überprüfen Sie vor dem Anschließen, ob die Stromversorgung den Angaben auf dem Leistungsschild an der Unterseite des Geräts entspricht.

Strombedarf:

Modell	Wattleistung	Modell	Wattleistung
UC150	530W	US150	750W
UC151	60W	US151	60W
UC152	600W	US152	800W
UC152D	600W	US152D	800W

Hinten am Gerät befindet sich eine IEC-Warmgerätesteckdose zum Anschluss an die Netzstromversorgung (siehe Abbildung 2). Zum Netzanschluss des Geräts ist sein Netzkabel entweder mit einem 3-poligem Stecker (Vereinigtes Königreich) oder einem 2-poligem „Schuko“-IEC-Warmgerätestecker ausgestattet.

Sollte das Kabel sich nicht an der Netzstromversorgung anschließen lassen, ersetzen Sie den Stecker durch eine geeignete Alternative.

DIES MUSS VON EINEM QUALIFIZIERTEN ELEKTRIKER DURCHGEFÜHRT WERDEN

HINWEIS: Beachten Sie das Leistungsschild am Gerät, um sicherzustellen, dass der Stecker und die Sicherung auf die angegebene Spannung und Wattleistung ausgelegt sind.

Die Leiter des Netzkabels sind wie folgt farbcodiert:

BRAUN - SPANNUNGSFÜHREND
WEIß - NEUTRAL
GRÜN/GELB - ERDUNG

Die Verkabelung des US-Netzkabels ist wie folgt gefärbt:

- SCHWARZ - LIVE
- BLAU - NEUTRAL
- GRÜN / GELB - ERDE

Sollte das Netzkabel ausgewechselt werden müssen, muss ein 1 mm² Kabel der harmonisierten Codes H05RR-F oder H05RN-F in Verbindung mit einem IEC-Warmgerätestecker verwendet werden.

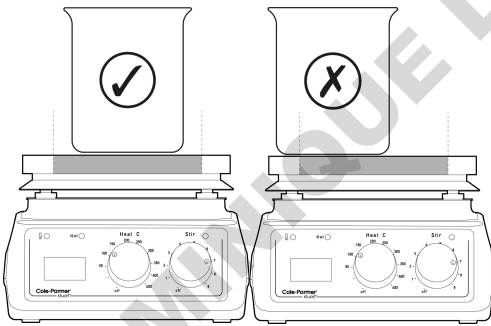
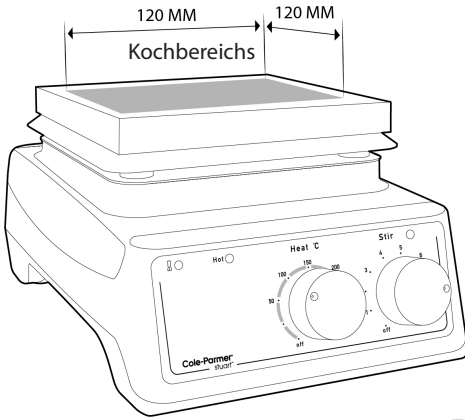
IM ZWEIFEL EINEN QUALIFIZIERTEN ELEKTRIKER ZU RATE ZIEHEN

Sicherheitshinweise vor Gebrauch

- Gerät nicht zum Erwärmen entzündbarer Flüssigkeiten verwenden.
- Gerät erst anheben oder tragen, nachdem es ausgeschaltet wurde und mindestens 30 Minuten abgekühlt ist. Richten Sie sich nach der Warnleuchte "Hot" (Heiß).
- Das Gerät muss mit beiden Händen getragen werden, wobei mit den Fingern unter die Seitenränder gegriffen wird.
- Gerät nie bewegen oder tragen, wenn Gefäße auf der Platte stehen oder wenn es noch am Netzstrom angeschlossen ist.
- Es besteht die Gefahr, dass Flüssigkeit verschüttet wird, wenn Behälter überfüllt sind und mit hoher Geschwindigkeit gerührt werden. Die Geschwindigkeit des Magnetrührers immer langsam erhöhen und nie schneller rühren als nötig.
- NIE ein kaltes Glasgefäß auf eine Heizplatte stellen, die bereits erwärmt ist.
- NIE eine Stativstange verwenden, die länger ist als 600 mm.
- Wenn eine Stativstange mit montiertem Apparat eingebaut wird oder wenn Sie eine Stützstange drehen, achten Sie darauf, dass genügend Gewicht auf der Platte ist, damit die Gesamtkonstruktion nicht kippt.
- Wenn Sie ein Stativ verwenden, darf dessen Basis die Abmessungen von 19,5 mm Höhe und 125 mm Breite NICHT überschreiten, um eine ausreichende Belüftung des Geräts zu gewährleisten.
- Befolgen Sie bei der Verwendung dieses Geräts stets die gute Laborpraxis.
- Beachten Sie die Sicherheitsvorschriften Ihres Unternehmens und alle Vorschriften, die für Ihren Arbeitsbereich gelten. Prüfen Sie die Laborverfahren für die zu erhitzenden Substanzen und stellen Sie sicher, dass alle Gefahren (z. B. Explosion, Implosion oder Freisetzung von giftigen oder brennbaren Gasen), die auftreten könnten, angemessen berücksichtigt wurden, bevor Sie fortfahren. Beim Erhitzen bestimmter Substanzen kann die Freisetzung gefährlicher Gase die Verwendung eines Abzugs oder einer anderen Absaugung erfordern.
- Stellen Sie sicher, dass das Gerät auf einer sauberen, trockenen, nicht brennbaren, festen Arbeitsfläche verwendet wird, die rundherum mindestens 300 mm Abstand zu anderen Geräten hat.
- Stellen Sie das Gerät nicht so auf, dass es schwer vom Stromnetz zu trennen ist.
- Berühren Sie während des Betriebs nicht das Heizelement oder ein Glasgefäß.
- Beugen oder strecken Sie sich nicht über Geräte, Glasgefäße und Befestigungen, wenn sie in Betrieb sind.
- Tauchen Sie das Gerät nicht in Wasser oder Flüssigkeiten ein.
- Schütten Sie keine Substanzen auf das Gerät. Falls doch etwas verschüttet wird, trennen Sie das Gerät von der Stromversorgung und befolgen Sie die Anweisungen unter Reinigen und (Seite 39).
- Verwenden Sie das Gerät nicht in gefährlichen Atmosphären oder mit gefährlichen Materialien, für die es nicht ausgelegt ist.
- Bei einer Unterbrechung der Netzstromversorgung nimmt das Gerät den Betrieb wieder auf, sobald die Stromversorgung wiederhergestellt ist.

Bedienung

Hinweis: Bei der Verwendung der Keramikheizplatten (UC150, UC151, UC152 und UC152D) bei Temperaturen von über 180°C darf die Grundfläche der verwendeten Utensilien nicht in Kontakt mit der Keramikplatte außerhalb des Heizbereichs gelangen, siehe Abbildung 6. Dies dient der Vermeidung von Schäden an der Heizplatte.



Richtige
Positionierung

Falsche
Positionierung

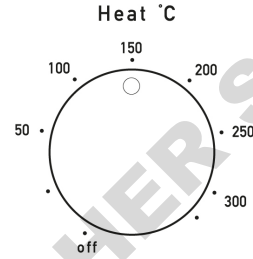
Abbildung 6

Hinweis: Modulare Heizblöcke sind nicht zur Verwendung auf den Keramikheizplatten geeignet.

Erwärmen

UC150, UC152, US150, US152

Schalten Sie das Gerät am Netzschalter ein (siehe Abbildung 2).



Der mit „HEAT“ gekennzeichnete Regler an der Vorderseite steuert die Wärmeabgabe und damit die Temperatur der Platte. Er verfügt über eine ungefähre Temperaturskala. Diese Skala bezieht sich auf die Temperatur der Heizplatte und nicht auf die Temperatur des Inhalts des zu erwärmenden Gefäßes.

Stellen Sie den Regler durch Drehen im Uhrzeigersinn auf die erforderliche Plattentemperatur ein. Während die Platte sich erwärmt leuchten nacheinander die LED-Temperaturabschnitte um den Regler herum. Ihre Lichtintensität erhöht sich bis die eingestellte Plattentemperatur erreicht ist. Während das Gerät abkühlt, erlöschen die LED-Temperatursegmente, wenn die Platte sich der eingestellten Temperatur nähert.

UC152D, US152D

Schalten Sie das Gerät am Netzschalter ein (siehe Abbildung 2). Wenn der mit „HEAT“ gekennzeichnete Regler sich in der Power on/off-Position befindet, zeigt das LED-Display das Wort "OFF" (AUS). Stellen Sie den Regler auf die gewünschte Temperatur ein. Diese erscheint auf dem LED-Display. Die Temperatur kann in 5°C-Schritten erhöht werden. Wenige Sekunden nach Einstellen der Temperatur wird auf dem Display wieder die aktuelle Temperatur der Heizplatte angezeigt.

Wenn das Gerät am Netzschalter ausgeschaltet wird während der Regler auf einen bestimmten

Wert eingestellt ist, zeigt das LED-Display beim nächsten Einschalten des Geräts das Wort „ON“ (AN), gefolgt von einer kurzen Einblendung der zuvor eingestellten Temperatur. Das Display wechselt dann zur Ist-Temperatur der Heizplatte und das Gerät beginnt die Platte auf die eingestellte Temperatur zu erwärmen.



ACHTUNG: Wenn die Platte so heiß ist, dass sie nicht mehr berührt werden darf, beginnt die rote Warnleuchte „HOT“ an der Vorderseite zu blinken (siehe Abbildung 1). Sie blinkt maximal 30 Minuten lang, solange die Temperatur der Platte über 50°C liegt, auch wenn das Gerät von der Stromversorgung getrennt ist.



ACHTUNG: Die Platte kann auch nach 30 Minuten noch heiß sein, wenn große Mengen auf der Platte stehen, obwohl die Warnleuchte „HOT“ erloschen ist.



ACHTUNG: Die Oberfläche des Geräts selbst kann HEISS sein, besonders an der Luft, da Modelle mit Keramikplatte eine Oberflächentemperatur von 450°C und Modelle mit Metallplatte eine Temperatur von 325°C erreichen können. Lassen Sie die Heizplatte nicht eingeschaltet, wenn das Gerät nicht verwendet wird.

Rühren

UC151, UC152, UC152D, US151, US152, US152D

Schalten Sie das Gerät am Netzschalter ein (siehe Abbildung 2). Der mit „STIR“ (Rühren) gekennzeichnete Regler an der Vorderseite regelt die Geschwindigkeit des Magnetrührers. Wird er eingeschaltet, leuchtet eine grüne Kontrollleuchte (siehe Abbildung 1). Der Regler verfügt über eine willkürliche Skala von 1-9. Wird der Regler auf eine höhere Stufe eingestellt, erhöht sich die Geschwindigkeit des Magnetrührers.

Verwendung des optionalen Zubehörs: SCT2-Temperaturregler

UC150, UC152, UC152D, US150, US152, US152D

Der SCT2-Temperaturregler sorgt für die präzise Temperaturregelung wässriger und ölbasierter Proben im Labor und kann auf zwei verschiedene Arten verwendet werden: als präziser Temperaturregler für Temperaturen zwischen 20 und 200°C oder als digitales Thermometer zwischen -4 und 325°C.

Der Sensor des SCT2-Temperaturreglers wird über

die DIN-Sensorsteckdose hinten an der Heizplatte angeschlossen (siehe Abbildung 2).

Im Regelungsmodus ist die Wärmeregung der Heizplatte deaktiviert, um eine präzise Regelung der Temperatur der Probe über den SCT2-Temperaturregler zu ermöglichen. Die leuchtende Kontaktthermometer-Kontrollleuchte zeigt die Kommunikation zwischen dem SCT2-Temperaturregler und der Heizplatte an (Abbildung 3).

Wenn er im Überwachungsmodus verwendet wird, fungiert der SCT2 als digitales Thermometer und die Temperatur der Heizplatte wird über den „HEAT“-Regler geregelt wie oben beschrieben. In diesem Modus beziehen sich die LED-Temperatursegmente um den „HEAT“-Regler (analoge Modelle) oder die LED-Temperaturanzeige (digitale Modelle) auf die Oberflächentemperatur der Heizplatte, nicht auf die Probe.

Weitere Hinweise zur Verwendung finden Sie in der Bedienungsanleitung zum SCT2

-Temperaturregler.

Reinigung und Pflege

Vor der Reinigung:

Vergewissern Sie sich, dass die Platte abgekühlt ist, und trennen Sie das Gerät von der Netzstromversorgung.

Zum Reinigen des Metallgehäuses ein feuchtes Tuch und einen milden Reiniger verwenden.

Geräte mit Keramikplatte:

Ein feuchtes Tuch entfernt normalerweise die meisten Verunreinigungen. Für hartnäckige Flecken wird eine haushaltsübliche Reinigungsmilch empfohlen.

Die Reinigung ist einfacher, wenn verschüttete Flüssigkeiten sofort entfernt werden. In jedem Fall MÜSSEN verschüttete Laugen, Phosphorsäure und Fluorwasserstoffsäure sofort entfernt werden, da diese Chemikalien die Glaskeramik angreifen und beschädigen können. Sorgen Sie dafür, dass angemessene Sicherheitsmaßnahmen ergriffen werden.

Achten Sie während der Reinigung und während des normalen Betriebs darauf, die Oberfläche der Platte nicht zu verkratzen, da dies zu thermischem Bruch führen kann.



ACHTUNG: Keramikplatten, die verkratzt, abgeblättert, chemisch angeätzt oder beschädigt sind, dürfen nicht verwendet werden.

Geräte mit Metallplatte:

Zum Reinigen der Metallplatte ein feuchtes Tuch und einen milden Reiniger verwenden.

Die Reinigung ist einfacher, wenn verschüttete Flüssigkeiten sofort entfernt werden. In jedem Fall MÜSSEN verschüttete Säuren und Laugen sofort entfernt werden, da diese Chemikalien die Oberfläche der beschichteten Aluminiumlegierung angreifen und beschädigen können. Sorgen Sie dafür, dass angemessene Sicherheitsmaßnahmen ergriffen werden.

Vorbereitung der Medien

Besondere Vorsicht gilt für das Erwärmen von Flüssigkeiten mit einer hohen Viskosität. Viskose Flüssigkeiten können als thermische Isolatoren wirken und zu Glasbruch führen. Dies gilt besonders für Medienlösungen, da die Viskosität sich normalerweise bei steigender Temperatur erhöht.

- Überprüfen Sie, ob stark genug gerührt wird, um die gesamte Flüssigkeit in Bewegung zu versetzen. Werden Teile der Flüssigkeit nicht gerührt, kann dies zu ungleicher Wärmeübertragung und „heißen Stellen“ im Glasgefäß führen. Dies kann zu thermischer Belastung und Brüchen führen.
- Prüfen Sie den Rührvorgang regelmäßig, um sicherzustellen, dass die Rührgeschwindigkeit an die steigende Viskosität der Lösung angepasst ist.
- Verwenden Sie immer den größtmöglichen Rührfisch und wenn nötig ein mechanisches Rührwerk.
- Verwenden Sie keine dickwandigen Glasgefäße wie Pyrex Heavy Duty Ware oder herkömmliche Becher und Kolben mit einer Kapazität von 5 Litern oder mehr.

- Erwärmen Sie NIEMALS Glasflaschen auf einer Heizplatte.
- Sorgen Sie dafür, dass Flüssigkeiten sich langsam erwärmen, um lokale Überhitzung zu vermeiden.
- Achten Sie darauf, dass das Glasgefäß keinerlei Kratzer oder andere Defekte aufweist.
- Platzieren Sie die Heizplatte auf einem Tablett, das geeignet ist, um die Flüssigkeit aufzufangen, falls das Glasgefäß zerbricht.
- Tragen Sie geeignete Schutzkleidung, z.B. Handschuhe, Schutzbrille, Schutzhürze usw.

Lagerung

Das Gerät ist so konstruiert, dass der obere Teil in den unteren Teil des nächsten Geräts passt. So können mehrere Geräte auf der Seite liegend einfach und kompakt gelagert werden (siehe Abbildung 5).

Zubehör

SR1

Die Stativstange SR1 ist für Apparate gedacht, die in Verbindung mit dem Gerät verwendet werden. Das Gerät ist auf der Rückseite mit einer Halterung ausgestattet, an der die Stützstange mit der Katalognummer SR1 befestigt werden kann (siehe Abbildung 2). Um das Stativ am Gerät zu befestigen, trennen Sie das Gerät zuerst von der Stromversorgung und lassen Sie es abkühlen. Drehen Sie das Gewinde der Stativstange in die Halterung hinten am Gerät. Die Form der Basis erlaubt auch die Verwendung rechteckiger Stativständer, deren Abmessungen eine Höhe von 19,5 mm und eine Breite von 125 mm nicht überschreiten dürfen. Abmessungen des SR1: 12 x 600 mm (B x H).

SCT2

Weitere Informationen zum SCT2-Temperaturregler siehe Seite 39.

Heizblöcke

Eine komplette Palette an modularen Heizblöcken zur Erwärmung von Kolben mit runden Böden ist zur Verwendung in Kombination mit Heizplatten mit Metallplatte erhältlich. Weitere Informationen finden Sie auf der Website von Stuart, www.stuart-equipment.com.

Hinweis: Modulare Heizblöcke sind nicht zur Verwendung auf den Keramikochplatten geeignet.

Fehlerbehebung

UC150, UC152, UC152D, US150, US152, US152D

Die folgenden Fehlercodes werden angezeigt, wenn das Gerät einen Fehlerzustand erkennt. Bei digitalen Modellen werden die Fehler als Er1, Er2 usw. auf dem LED-Display angezeigt. Bei analogen Modellen wird der Fehlerzustand Er1 durch Blinken der ersten LED auf der Temperaturskala, Er2 durch Blinken der zweiten LED und so weiter dargestellt.

- Er1 – Sensorbereichfehler – Wenn der SCT2 eine Sensortemperatur von $>325^{\circ}\text{C}$ oder $< -99^{\circ}\text{C}$ anzeigt.
- Er2 – SCT2 Kommunikationsfehler – Die Kommunikation mit dem SCT2 ist unterbrochen.
- Er3 – Heizplattentemperaturfehler – Wenn eine Heizplattentemperatur von $> 585^{\circ}\text{C}$ oder $< -9,9^{\circ}\text{C}$ gemessen wird.
- Er4 – Heizplattenumgebungsfehler – Wenn die in der Heizplatte gemessene Temperatur (nicht die Plattentemperatur) 85°C beträgt.
- Er5 – SCT2 Zeichenfehler – Ein unbekanntes Zeichen wurde vom SCT2 empfangen.
- Er6 – Fehler: Sensor außerhalb – Das Gerät erkennt, dass der SCT2-Sensor aus der Lösung, die gerade erwärmt wird, entfernt wurde.
- Er7 – SCT2 Timeout – Der SCT2 hat auf eine Anfrage nicht innerhalb der erforderlichen Zeit reagiert.

Wartung und Reparatur

Diese Produktserie erfordert keine regelmäßigen Wartungsarbeiten.

Hinweis: Die Teile im Inneren können nicht vom Benutzer gewechselt werden.

Sollte das Produkt Störungen aufweisen, empfehlen wir, Reparaturen nur von entsprechend

qualifiziertem Personal durchführen zu lassen. Falls Sie Beratung oder eine Reparaturanleitung benötigen, wenden Sie sich bitte an den Kundendienst der Cole-Parmer.

Nur Ersatzteile von Cole-Parmer oder Händlern des Unternehmens dürfen verwendet werden. Der Einbau von nicht genehmigten Teilen kann die Funktion der Sicherheitseinrichtungen des Geräts beeinflussen.

Hinweis: Für den Magnetrührerantrieb werden starke Magnete verwendet.

Wenden Sie sich im Zweifel an den Kundendienst:

Cole-Parmer Ltd.
Beacon Road,
Stone, Staffordshire,
ST15 0SA, United Kingdom
Tel: +44 (0)1480 272279
Email: uk.sales@antylia.com
Web: www.coleparmer.co.uk

Ersatzteile

Eine komplette Teileliste erhalten Sie beim Kundendienst von Cole-Parmer gegen Angabe von Modell und Seriennummer.

Für alle anderen technischen Fragen wenden Sie sich bitte an das Technical Support Department.

Garantie

Cole-Parmer Ltd. garantiert, dass dieses Gerät frei von Material- und Herstellungsfehlern ist. Bei Einsatz unter normalen Laborbedingungen wird eine Garantie von drei (3) Jahren gewährt. Bei einem berechtigten Garantieanspruch ersetzt Cole-Parmer defekte Bauteile oder das gesamte Gerät kostenlos.

Diese Garantie gilt NICHT, wenn:

- eine Keramikplatte durch mechanische Einwirkung, Verkratzen, Abblättern oder chemische Ätzung zerbrochen ist.
- Reparaturen oder Reparaturversuche von anderen Personen als Cole-Parmer oder ihren Vertretern durchgeführt wurden.
- geringfügige Abblätterungen der Beschichtung und Kratzer in Form so genannter Gebrauchsspuren (normaler Gebrauch) auftreten.
- Schäden aufgrund von Feuer, Unfällen,

Fehlgebrauch, Nachlässigkeit, falscher
Einstellung oder Reparatur, Einbau,
Anpassungen, Änderungen oder der Montage
nicht genehmigter Teile entstehen.

DOMINIQUE DUTSCHER SAS

Technische Daten

Heiz- und Magnetrührer	US152	UC152	US152D	UC152D
Plattenmaterial	Beschichtetes Aluminium/Silizium	Glaskeramik	Beschichtetes Aluminium/Silizium	Glaskeramik
Plattenabmessungen, mm	150 x 150	150 x 150	150 x 150	150 x 150
Heizfläche, mm	150 x 150	120 x 120	150 x 150	120 x 120
Wärmeregulierung	Analog	Analog	Digital	Digital
Wärmeleistung, W	800	600	800	600
Max. Plattentemp., °C	325	450	325	450
Min. Einstelltemp., °C	-	-	25	25
Rührgeschwindigkeit, U/min.	100-2000	100-2000	100-2000	100-2000
Max. Rührkapazität, L*	15	15	15	15
Kompatibel mit SCT2	Ja	Ja	Ja	Ja
Regelgenauigkeit mit SCT2	±1 °C	±1 °C	±1 °C	±1 °C
Abmessungen (B x T x H), mm	180 x 255 x 122	180 x 255 x 122	180 x 255 x 122	180 x 255 x 122
Nettogewicht, kg	3.1	3.1	3.1	3.1
Leistung, W	800	600	800	600
Stromversorgung	120V, 60Hz oder 230V, 50Hz	120V, 60Hz oder 230V, 50Hz	120V, 60Hz oder 230V, 50Hz	120V, 60Hz oder 230V, 50Hz

Heizplatten	US150	UC150
Plattenmaterial	Beschichtetes Aluminium/Silizium	Glaskeramik
Plattenabmessungen, mm	150 x 150	150 x 150
Heizfläche, mm	150 x 150	120 x 120
Wärmeregulierung	Analog	Analog
Wärmeleistung, W	750	530
Max. Plattentemp., °C	325	450
Kompatibel mit SCT2	Ja	Ja
Regelgenauigkeit mit SCT2	±1 °C	±1 °C
Abmessungen (B x T x H), mm	180 x 255 x 122	180 x 255 x 122
Nettogewicht, kg	2.5	2.5
Leistung, W	750	530
Stromversorgung	120V, 60Hz oder 230V, 50Hz	120V, 60Hz oder 230V, 50Hz

Magnetrührer	US151	UC151
Plattenmaterial	Edelstahl	Glaskeramik
Plattenabmessungen, mm	150 x 150	150 x 150
Rührgeschwindigkeit, U/min.	100-2000	100-2000
Max. Rührkapazität, L*	15	15
Kompatibel mit SCT2	Nein	Nein
Abmessungen (B x T x H), mm	180 x 255 x 109	180 x 255 x 107
Nettogewicht, kg	2.4	2.4
Leistung, W	60	60
Stromversorgung	120V, 60Hz oder 230V, 50Hz	120V, 60Hz oder 230V, 50Hz

*Basierend auf Wasser enthalten in einem 20-Liter-Kolben mit Glasboden.

Order Numbers

Model Number/Numéro de modèle/ Numero di modello/ Número de modelo/ Modellnummer	Order Code
UC150	04807-50
UC150/120V/60	04807-51
US150	04807-52
US150/120V/60	04807-53
UC151	04807-54
UC151/120V/60	04807-55
US151	04807-56
US151/120V/60	04807-57
UC152	04807-58
UC152/120V/60	04807-59
US152	04807-60
US152/120V/60	04807-61
UC152D	04807-62
UC152D/120V/60	04807-63
US152D	04807-64
US152D/120V/60	04807-65

Warnings and Icons



Caution Symbol/ Symbole de mise en garde/ Simbolo di attenzione/ Símbolo de precaución/ Warnsymbol



Protective conductor terminal to be earthed (do not loosen or disconnect)/ Borne du conducteur de protection à relier à la terre (ne pas desserrer ni déconnecter)/ Terminale del conduttore di protezione da mettere a terra (non allentare o scollegare)/ El terminal del conductor de protección debe conectarse a tierra (no aflojar ni desconectar)/ Zu erdende Schutzleiterklemme (nicht lösen oder trennen)



Caution or Risk of Electric Shock/ Attention ou risque d'électrocution/ Attenzione o rischio di scossa elettrica/ Precaución o riesgo de descarga eléctrica/ Vorsicht oder Stromschlaggefahr



Recyclable Packaging Material / Matériel d'emballage recyclable/ Materiale di imballaggio riciclabile/ Material de embalaje reciclable/ Recyclbares Verpackungsmaterial



Do not dispose of product in normal domestic waste/ Ne jetez pas le produit avec les ordures ménagères domestiques/ Non smaltire il prodotto nei normali rifiuti domestici/ No deséche el producto con la basura doméstica normal/ Entsorgen Sie das Produkt nicht im normalen Hausmüll



Caution Hot Surface/ Attention surface chaude/ Attenzione superficie calda/ Precaución Superficie caliente/ Achtung, Heiße Oberfläche



Refer to User Manual/ Reportez-vous au manuel de l'utilisateur/ Fare riferimento al Manuale dell'utente/ Consulte el manual del usuario/ Siehe Benutzerhandbuch



Mains Switch/ Interrupteur d'alimentation/ Interruttore di rete/ Interruptor de incendio/ Netzschalter

UK
Cole-Parmer Ltd
Beacon Road
Stone
Staffordshire
ST15 0SA
United Kingdom
Tel : +44 (0) 1480 2722791
Email : uk.sales@antylia.com
Website : www.coleparmer.co.uk

Germany
Tel : +49 (0) 9377 92030
Email : cde.sales@antylia.com
Website : www.coleparmer.de

France
Tel : +33 (0) 1486 37800
Email : fr.sales@antylia.com
Website : www.coleparmer.fr

Italy
Tel : +39 (0) 1313 89513
Email : it.sales@antylia.com
Website : www.coleparmer.com

USA
Tel : +1 847 549 7600
Email : sales@coleparmer.com
Website : www.coleparmer.com

Cole-Parmer®

