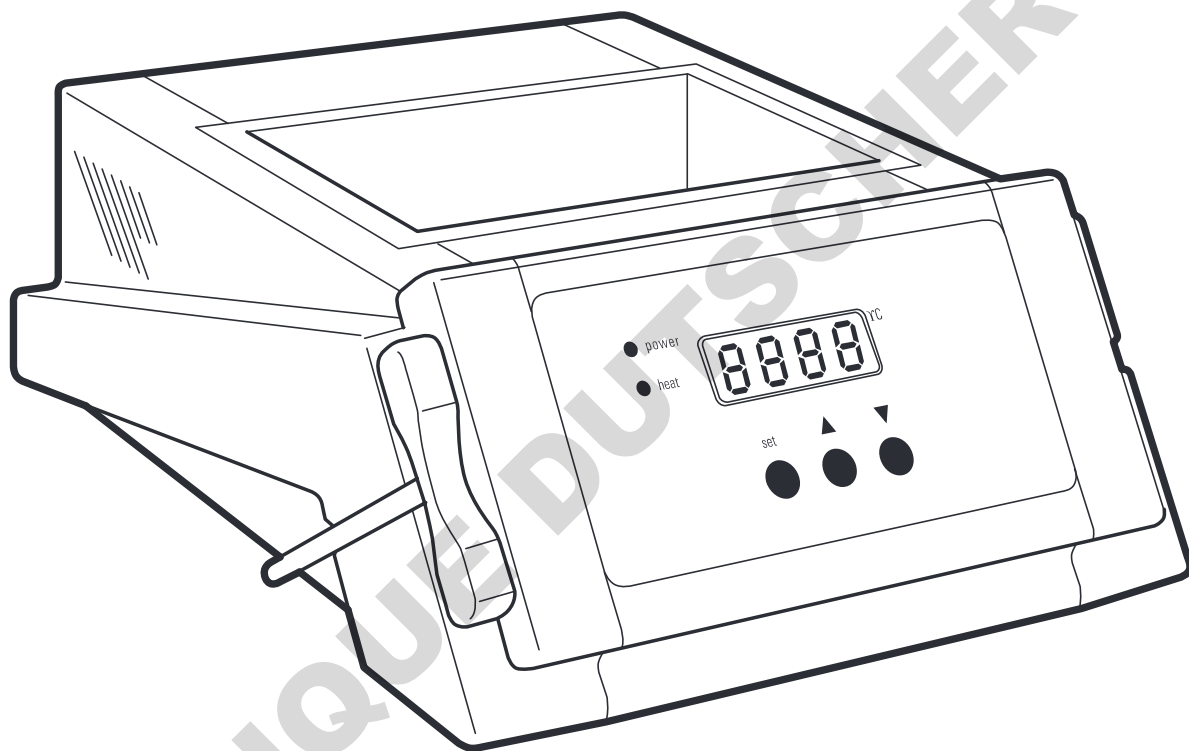


Cole-Parmer®

BH-200 Series

Block Heaters



Instruction Manual

SBH061(ES) Version 1.6

Cole-Parmer®
essentials

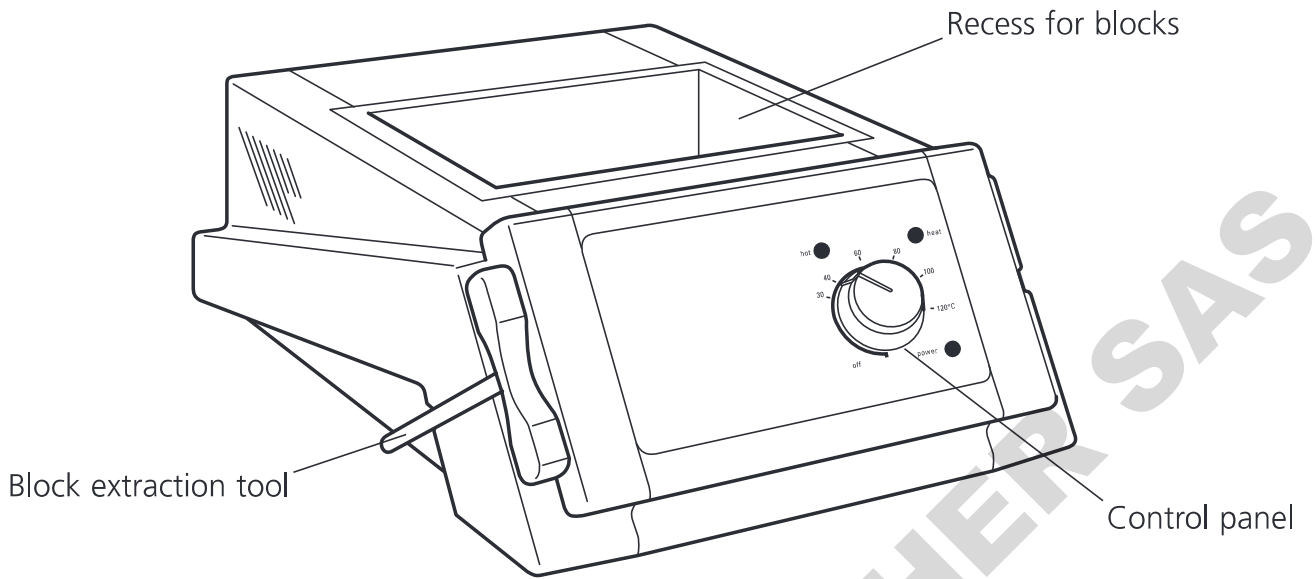


Figure 1: Front view

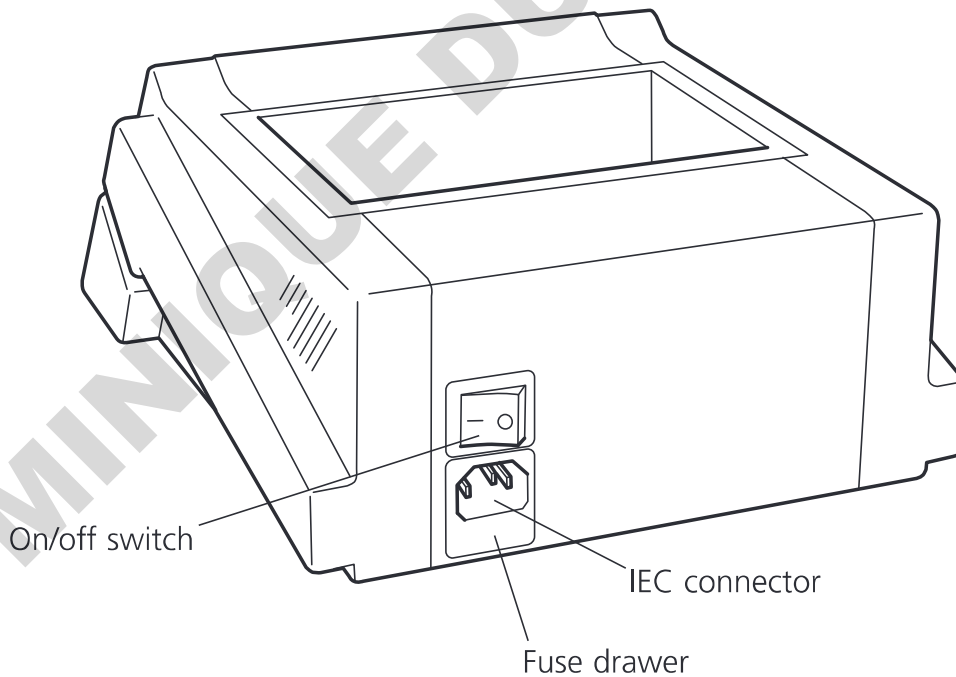



Figure 2: Rear view

Thank you for purchasing this piece of Cole-Parmer equipment. To get the best performance from the equipment, please read these instructions carefully before use.

BLOCK HEATERS

BH-200-2, BH-200D-2, BH-200D-2-HT,
BH-200D-3, BH-200D-3-HT BH-200DC-2 and
BH-200D-2-HTC.

 For your own safety and that of others please read and understand the safety advice given in section 9 of this manual before using the equipment.

If the equipment is not used in the manner described in this manual the protection provided might be impaired.

1. General description

Cole-Parmer block heaters are designed to accurately control the temperature of test tubes and other small containers using heated aluminium blocks drilled with holes of the appropriate size for the containers in use. A large variety of blocks with different holes for different sizes and type of container are available – see section 7.

The blocks are fitted into the recess in the top of the instrument (see figure 1) and heated from below. All blocks are fully interchangeable and blocks for different sizes of container may be used in a block heater at the same time.

The large thermal mass of the aluminium blocks allows very accurate and stable temperature control.

Perspex safety covers are available as accessories for protection in the event of tubes “spitting”. These also help improve temperature uniformity within the blocks by excluding draughts.

2. Preparation for use – All models

1. Follow the instructions for Electrical Installation given in section 8 of this manual and connect the instrument to the electricity supply – **DO NOT SWITCH ON.**
2. Choose aluminium blocks with holes suitable for the containers to be heated.
3. Carefully place the appropriate number of aluminium blocks into the recess in the top of the instrument – see figure 1.

N.B. The plate at the bottom of the recess and the base of the aluminium blocks must be kept scrupulously clean to allow good thermal contact. If foreign matter, especially particulate matter, is present the performance of the instrument will be impaired.

4. Place the containers to be heated into the holes in the aluminium blocks.
5. Fit safety cover if required. This may simply rest on the top of the block heater or be hinged by using the screws provided. These should be located in the holes at the top rear of the block heater (see figure 1).
6. The instrument may now be switched on and the desired temperature set.

3. Temperature setting

3.1 Digital models BH-200D-2, BH-200D-2-HT, BH-200D-3, BH-200D-3-HT, BH-200DC-2, and BH-200D-2-HTC.

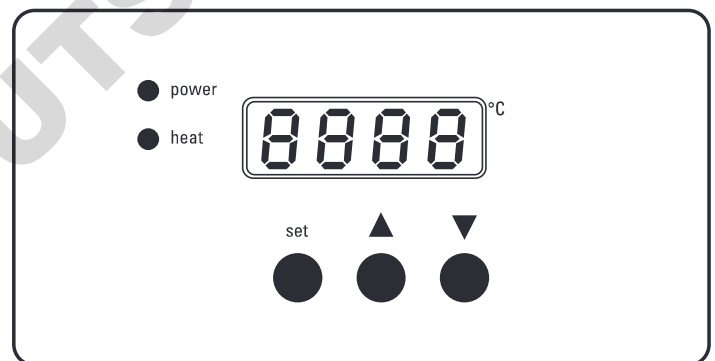


Figure 3 - digital controls

1. Switch on using the switch located at the rear of the instrument – see figure 2.
2. The “power” light will illuminate as will the digital display - see figure 3.
3. The digital display will show the actual temperature of the aluminium blocks. If the instrument’s current set temperature is above this value it will begin to heat and the “heat” light on the control panel will illuminate. The current set temperature may be viewed at any time by pressing and holding the “set” button – see figure 3.
4. To adjust the set temperature first press and hold the “set” button to show the current setting.

5. This setting may be increased by pressing the button labeled ▲ or decreased by pressing the button labeled ▼ while continuing to press and hold the “set” button – see figure 3.
6. Pressing these buttons once adjusts the setting up or down in 0.1°C increments. Pressing and holding will scroll the display rapidly up or down until the desired value is reached.
7. When the desired temperature is displayed release the “set” button to revert the display to showing actual temperature.
8. The instrument will now begin to heat the aluminium blocks to this temperature.
9. The light labeled “heat” on the control panel will illuminate continuously during the heating phase but will begin to flash when the set temperature is approached.
10. Once the set temperature is reached the instrument will maintain the blocks at this temperature until the setting is changed or the instrument is turned off.
11. Containers may be removed from or added to the blocks at any time during operation.

N.B. Care must be taken if placing cold glass vessels into pre-heated blocks. The resulting thermal shock may cause the container to break.

12. After use the instrument should be switched off at the rear and allowed to cool. It should then be disconnected from the electricity supply. Note that when next used the instrument will have retained its previous set temperature.

3.2 Dual control digital models BH-200DC-2 & BH-200D-2-HTC

Models BH-200DC-2 & BH-200D-2-HTC accommodate 2 aluminium blocks with independent temperature controls so that each block may be set to a different temperature. The layout and operation of the controls for each block is exactly as described above.

If using this model with only one block in place the side with no block should have its set temperature adjusted to 30°C.

3.3 Analogue model BH-200-2

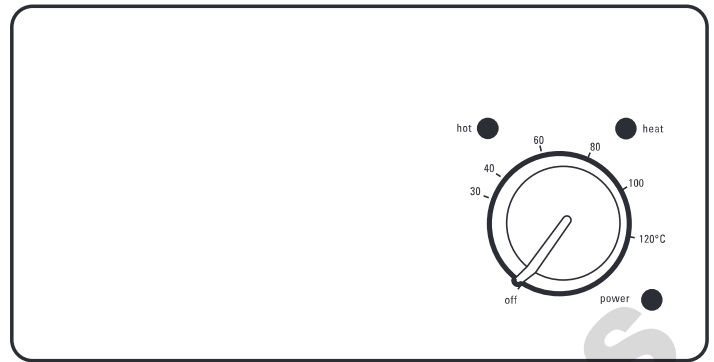


Figure 4 - analogue controls

1. Switch on using the switch located at the rear of the instrument – see figure 2.
2. The “power” light will illuminate - see figure 4.
3. The desired temperature may be set using the control knob labeled “heat” on the right hand side of the control panel – see figure 4. If turned to the position labeled “off” the heater will be switched off. Otherwise the scale around the knob will give guidance as to the set temperature.
4. The instrument will now begin to heat the aluminium blocks to this temperature and the light labeled “heat” on the control panel will illuminate – see figure 4.
5. If the temperature of the blocks exceeds 50°C the red light labeled “hot” will begin to flash to warn that the blocks are too hot to touch – see figure 4. This will continue even if the heater is turned off using the knob on the control panel so long as the instrument remains connected to the electricity supply and turned on with the switch at the rear.
6. Once the set temperature is reached the instrument will maintain the blocks at this temperature until the setting is changed or the instrument is turned off.
7. Containers may be removed from or added to the blocks at any time during operation.

N.B. Care must be taken if placing cold glass vessels into pre-heated blocks. The resulting thermal shock may cause the container to break.

8. If the temperature needs to be set accurately it may be measured using a thermometer placed in the small hole in the top of the block. The position of the control knob should then be adjusted to raise or lower the

temperature as required. If this setting needs to be repeated regularly it is possible to leave the control knob in position and use the switch on the rear of the instrument to turn it on and off. Note that switching off at the rear will cause the hot warning light to stop flashing.

9. After use the instrument should be switched off at the rear and allowed to cool. It should then be disconnected from the electricity supply.

4. Calibration – Digital models only

These units are calibrated during manufacture using blocks designed for 16mm tubes. The different mass of aluminium in blocks designed for other sizes or types of container can cause small discrepancies between the displayed temperature and the actual temperature of the blocks.

If the block heater is to be used with other blocks and very accurate temperature setting is required then the unit should be re-calibrated for the blocks to be used.

You will need an accurately calibrated thermometer for this procedure to be worthwhile. The block heater can only be as accurate as the thermometer used to calibrate it.

Follow the procedure outlined below.

1. Begin with items that are cool.
2. The blocks should be pushed firmly to the right hand side of the recess with no air gap between blocks. The right hand block will be used as the calibration block.
3. Switch on the unit and set the temperature display to 30°C following the procedure outlined in section 3.1
4. Press all three buttons together and hold for 5 seconds until the amber “heat” light stops flashing and remains permanently on.
5. Self-calibration will now begin and the unit will begin to heat.
6. After approximately 30 minutes the unit will have stabilized at approximately 40°C and the display will change from showing temperature to read (EEEE).

7. Accurately measure the block temperature within the thermometer hole in the right hand block.
8. Press the set button and release
9. Press and hold the set button and use either the up or down buttons to adjust the display temperature to equal the actual temperature measured.
10. Press the up and down buttons together to confirm the value. The amber “heat” light will stop flashing and remain permanently on.
11. Self-calibration will now continue and the unit will ramp up to approximately 5°C below maximum, i.e. either 125°C or 195°C depending on model..
12. After approximately 30 minutes the unit will have stabilized and the display will change from showing temperature to read (EEEE).
13. Accurately measure the block temperature within the thermometer hole in the right hand block.
14. Press the set button and release
15. Press and hold the set button and use either the up or down buttons to adjust the display temperature to equal the actual temperature measured.
16. Press the up and down buttons together to confirm the value.
17. The unit will now begin to control with the new calibration parameters.
18. Allow 30 minutes for the temperature to stabilize.
19. Check that both the display temperature and the thermometer temperature are now between 124°C and 126°C or 194°C and 196°C depending on model.
20. Press the set button and release to confirm the calibration. The set temperature will revert to 30°C.
21. Reset the set temperature to maximum (130 or 200°C) and allow a few minutes to confirm that the unit actually achieves that temperature.
22. Calibration is now complete and the unit may be used normally.

5. Factors affecting calibration and accuracy

In order to get the maximum accuracy from the equipment and to ensure accurate calibration the factors listed below should be considered as they will all affect performance.

1. The base of the blocks and the heated surface in the unit must be scrupulously clean to ensure good contact.
2. The blocks should be pushed firmly together to the right hand side of the recess
3. The thermal radiation from the blocks can be affected by surface condition and affect accuracy. The top surface should be kept clean and shiny.
4. If the unit is used in an area of strong drafts such as inside a fume hood there can be a temperature gradient across the blocks. In this case the safety cover should be used to protect the blocks from the air flow.
5. During calibration the temperature probe used should be a good fit in the hole in the block.

6. Removal of aluminium blocks

N.B. Do not attempt to remove blocks until the instrument has been switched off and allowed to cool

The instrument is supplied with a special tool to facilitate removal of the blocks.

This should be screwed into the thermometer hole in the top of the block and then used to lift the block clear of the instrument. An extension piece is provided for use with long tubes.

There is a convenient storage groove located on either side of the body casing – see figure 1.

7. Aluminium blocks and accessories

The following range of aluminium blocks is available. All are manufactured from anodized aluminium and have an extra hole designed to accommodate a thermometer if desired.

All blocks have dimensions (w x d x h) of 75 x 95 x 50mm and can be used in any combination.

Cat. No.	Tube size (diameter /type)	No. of holes	Hole size, mm (diameter x depth)
SHT1/0	Plain block	-	-
SHT1/10	10mm	20	10.5 x 47
SHT1/12	12mm	20	12.5 x 47
SHT1/12/33	12mm	20	12.5 x 33
SHT1/13	13mm	20	13.5 x 47
SHT1/16	16mm	12	16.6 x 47
SHT1/19	19mm	8	19.5 x 47
SHT1/20	2ml tubes	20	10.5 x 33
SHT1/21	Block with removable channels for glass and disposable cuvettes.		
SHT1/22	1.5ml tubes	20	10.7 x 14
SHT1/25	25mm	6	25.5 x 47
SHT1/28	28mm	6	28.0 x 47
SHT1/30	0.5ml tubes	30	7.8 9° taper
SHT1/30/1	30mm	4	30.1 x 47
SHT1/33	33mm	4	33.2 x 47
SHT1/48	0.2ml tubes	48	6.1 9° taper
SHT1/80	0.2ml strip tubes	10 x 8	-
SHT1/96	96 well plate	-	7.5 9° taper
SHT1/384	384 well plate	-	3.6 9° taper

The following accessories are available from Antylia Scientific or its agents:-

Cat. No.	Description
SBH/2	Safety cover, 2 block models
SBH/3	Safety cover, 3 block and dual control models
SBH/4	Block extraction tool

8. Electrical installation



THIS INSTRUMENT MUST BE EARTHED



Before connection please read and understand these instructions and ensure that the line supply corresponds to that shown on the rating plate.

Power consumption is:

Model	Power	Frequency	Fuses
BH-200-2	300 W	50/60 Hz	F3.15 AL
BH-200D-2	300 W	50/60 Hz	F3.15 AL
BH-200D-2-HT	300 W	50/60 Hz	F3.15 AL
BH-200D-3	450 W	50/60 Hz	F3.15 AL
BH-200D-3-HT	450 W	50/60 Hz	F3.15 AL
BH-200DC-2	300 W	50/60 Hz	F3.15 AL
BH-200D-2-HTC	300 W	50/60 Hz	F3.15 AL

The instruments are fitted with an IEC socket at the rear of the instrument for connection of the mains lead. The IEC socket contains a pull out draw containing the fuses and a mains on/off switch - see figure 2.

Caution: Fuses fitted in both live and neutral lines.

These units are supplied with two mains leads fitted with IEC plugs for connection to the instrument. One lead has a U.K. 3 pin plug and the other has a 2-pin "Schuko" plug for connection to the mains. Choose the lead appropriate for your electrical installation and discard the other.

Should neither lead be suitable, take the lead with the U.K. plug and replace the plug with a suitable alternative. This involves cutting off the moulded plug, preparing the cable and connecting to the rewirable plug in accordance with its instructions.

IT IS IMPORTANT THAT THIS OPERATION SHOULD ONLY BE UNDERTAKEN BY A QUALIFIED ELECTRICIAN

NOTE: Refer to the equipment's rating plate to ensure that the plug and fusing are suitable for the voltage and wattage stated.

The wires in the mains cable are coloured as follows:

LIVE - BROWN

NEUTRAL - BLUE

EARTH - GREEN/YELLOW

The appropriate mains lead should be connected to the instrument BEFORE connection to the mains supply.

Should the mains lead need replacement a cable of 1mm² of harmonised code H05W-F connected to an IEC320 plug should be used.

N.B. The U.K. mains lead is protected by a 10A fuse mounted in the plug top.

IF IN DOUBT CONSULT A QUALIFIED ELECTRICIAN

9. Safety advice

This equipment is designed to operate under the following conditions: -

- ❖ For indoor use only
- ❖ Use in a well ventilated area
- ❖ Ambient temperature range +5°C to +40°C
- ❖ Altitude to 2000m
- ❖ Relative humidity not exceeding 80%
- ❖ Mains supply fluctuation not exceeding 10%
- ❖ Over-voltage category II IEC60364-4-443
- ❖ Pollution degree 2
- ❖ Use with a minimum distance all around of 200mm from walls or other items

The unit should be carried using both hands.

Never move or carry the unit when in use or connected to the mains electricity supply.

The instrument should not be switched on and allowed to heat unless the appropriate number of aluminium blocks are fitted into the recess in the top.

The aluminium blocks may be HOT. Never move or carry the unit until it has been disconnected from the electricity supply and allowed to cool

Blocks should NEVER be removed from the instrument until it has been disconnected from the electricity supply and allowed to cool.

Blocks should only be removed using the specially designed tool supplied with the instrument - see figure 1.

If liquid is spilled on the blocks the instrument should be switched off immediately and allowed to cool. The blocks and the recess in the top of the instrument should be carefully cleaned and dried before further use. Ensure adequate safety precautions are observed depending on the nature of the spilled liquid.

If there has been heavy drenching of the blocks or spillage into the instrument it should be checked by a qualified electrician before further use.

In the case of mains interruption, a fault or electrical failure, the unit will continue to operate on restoration of the electricity supply or removal of the fault.

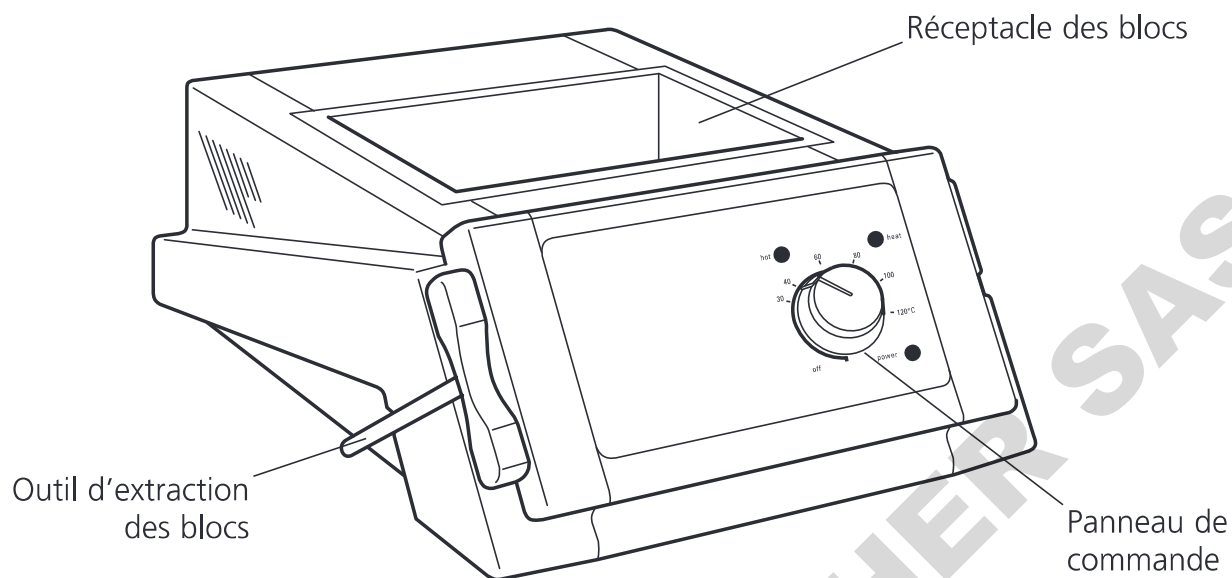


Figure 1: Vue de face

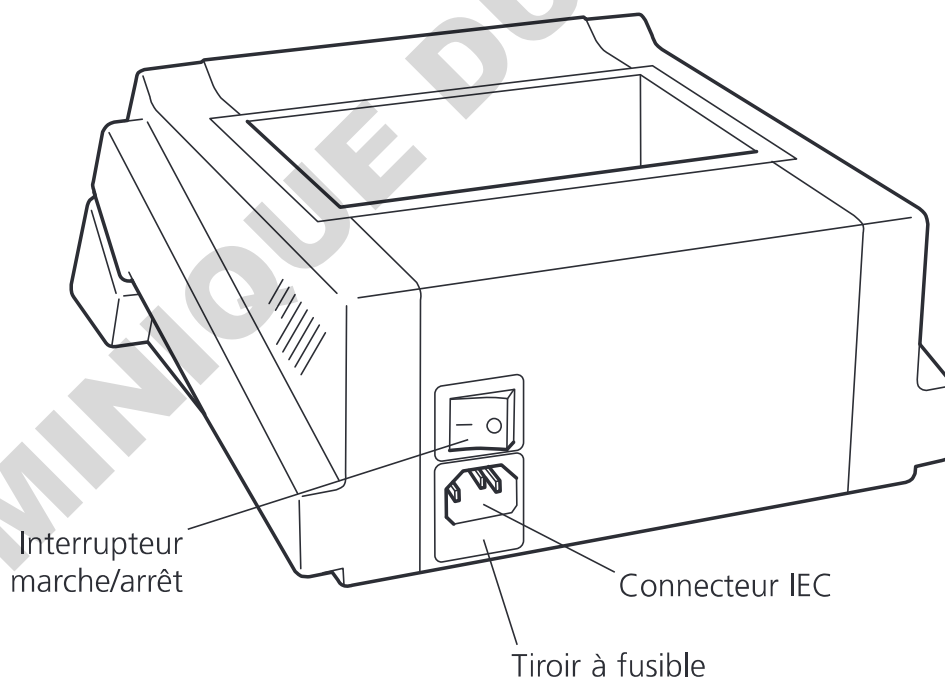


Figure 2: Vue arrière

Merci d'avoir fait l'acquisition de ce matériel Cole-Parmer. Pour en obtenir les meilleures performances, veuillez lire attentivement ces instructions avant de l'utiliser.

RECHAUFFEURS DE BLOCS

BH-200-2, BH-200D-2, BH-200D-2-HT,
BH-200D-3, BH-200D-3-HT, BH-200DC-2 et
BH-200D-2-HTC, .



Pour votre propre sécurité et celle des autres, veuillez lire et comprendre les conseils de sécurité donnés dans la section 9 du présent manuel avant d'utiliser le matériel.

Si le matériel n'est pas utilisé de la manière décrite dans le présent manuel, la protection fournie pourra s'en trouver diminuée.

1. Description générale

Les réchauffeurs de blocs Cole-Parmer sont conçus pour contrôler avec précision la température des tubes à essais et autres petits récipients à l'aide de blocs d'aluminium chauffés percés de trous à la cote appropriée pour les récipients utilisés. Une grande variété de blocs comportant des trous différents pour différentes tailles et sortes de récipients est disponible -voir section 7.

Les blocs se logent dans le réceptacle sur le dessus de l'instrument (voir figure 1) et sont chauffés par dessous. Tous les blocs sont parfaitement interchangeables, et les blocs destinés à des tailles de récipients différentes peuvent être utilisés simultanément dans le réchauffeur de blocs.

La grande masse thermique des blocs d'aluminium permet un contrôle de température très précise et stable.

Des couvercles de sécurité Perspex sont disponibles comme accessoires de protection en cas de "projection" des tubes. Ils permettent aussi d'améliorer l'uniformité de la température dans les blocs, en excluant les tirages.

2. Préparation à l'emploi – tous les modèles

1. Suivre les instructions concernant l'installation électrique données dans la section 8 du présent manuel, et raccorder l'instrument à l'alimentation électrique - **NE PAS METTRE SOUS TENSION.**
2. Choisir des blocs d'aluminium ayant des trous adaptés pour les récipients à chauffer.
3. Placer soigneusement le nombre approprié de

blocs d'aluminium dans le réceptacle sur le dessus de l'instrument - voir figure 1.

N.B. la plaque au bas du réceptacle est la base des blocs d'aluminium doit rester scrupuleusement propres pour permettre un bon contact thermique. En cas de présence de corps étrangers, en particulier de matières particulières, les performances de l'instrument seront diminuées.

4. Placer les récipients à chauffer dans les trous des blocs d'aluminium.
5. Installer le couvercle de sécurité si nécessaire. Ce dernier peut simplement s'appuyer sur le dessus du réchauffeur de blocs, ou bien s'articuler sur des charnières à l'aide des vis fournies. Ces dernières prendront place dans les trous prévus sur le dessus à l'arrière du réchauffeur de blocs de (voir figure1).
6. On peut maintenant mettre l'instrument sous tension et régler la température voulue.

3. Réglage de la température

3.1 Modèles numériques BH-200D-2, BH-200D-2-HT, BH-200D-3, BH-200D-3-HT, BH-200DC-2 et BH-200D-2-HTC

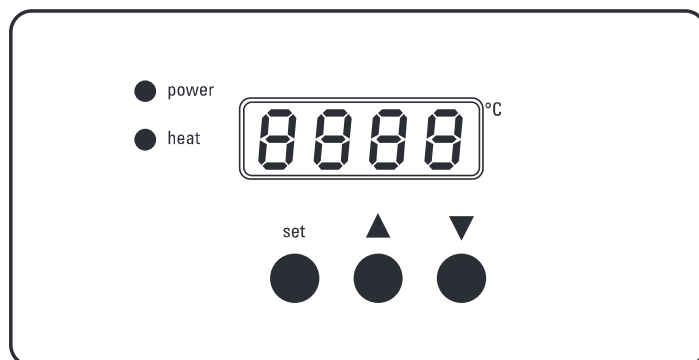


Figure 3 - commandes numériques

1. Mettre sous tension à l'aide de l'interrupteur situé à l'arrière de l'instrument - voir figure 2.
2. Le voyant "power" s'allume, tout comme l'afficheur numérique - voir figure 3.
3. L'afficheur numérique va indiquer la température réelle des blocs d'aluminium. Si la température de consigne actuelle de l'instrument est supérieure à cette valeur, l'appareil va commencer à chauffer, et le voyant "heat" du panneau de commande va s'allumer. La température de consigne actuelle peut être visualisée à tout moment en appuyant sur le bouton "set" et en le

maintenant enfoncé - voir figure 3.

4. Pour ajuster la température de consigne, appuyer d'abord sur le bouton "set" et le maintenir enfoncé pour afficher le réglage actuel.
5. On peut augmenter ce réglage en appuyant sur le bouton portant le symbole ▲, ou le diminuer en appuyant sur le bouton portant le symbole ▼, tout en continuant de maintenir le bouton "set" enfoncé - voir figure 3.
6. Appuyer une fois sur ces boutons permet d'ajuster le réglage en montant ou en descendant par un incréments de 0,1°C. Appuyer sur ces boutons et les maintenir enfoncés va faire défiler rapidement l'affichage jusqu'à ce que la valeur voulue soit atteinte.
7. Une fois la température voulue affichée, relâcher le bouton "set" pour ramener l'affichage à la température réelle.
8. L'instrument va maintenant commencer à chauffer les blocs d'aluminium à cette température.
9. Le voyant portant l'indication "heat" sur le panneau de commande va s'allumer de façon continue lors de la phase de chauffage mais commencera à clignoter à l'approche de la température de consigne.
10. Une fois la température de consigne atteinte, l'instrument va maintenir les blocs à cette température jusqu'à ce que l'on modifie le réglage ou que l'on éteigne l'appareil.
11. Les récipients peuvent être retirés ou ajoutés des blocs à tout moment durant l'opération.

N.B. Agir avec prudence pour mettre en place des récipients en verre froid dans des blocs préchauffés. Le choc thermique résultant pourrait briser le récipient.

12. Après utilisation, mettre l'instrument hors tension à l'aide de l'interrupteur situé à l'arrière, et laisser refroidir. L'appareil devra ensuite être débranché de l'alimentation électrique. Noter qu'à la prochaine utilisation, l'instrument aura conservé sa température de consigne précédente.

3.2 Modèle numérique BH-200DC-2 & BH-200D-2-HTC

Le modèle BH-200DC-2 & BH-200D-2-HTC

accepte 2 blocs d'aluminium avec des contrôles de température indépendants, de telle sorte que chacun des blocs peut-être réglé à une température différente. L'agencement et le fonctionnement des commandes pour chaque bloc sont exactement les mêmes que ceux décrit ci-dessus.

En cas d'utilisation de ce modèle avec un seul bloc en place, la température du côté ne comportant pas de bloc devra être réglée à 30°C.

3.3 Modèle analogique BH-200-2

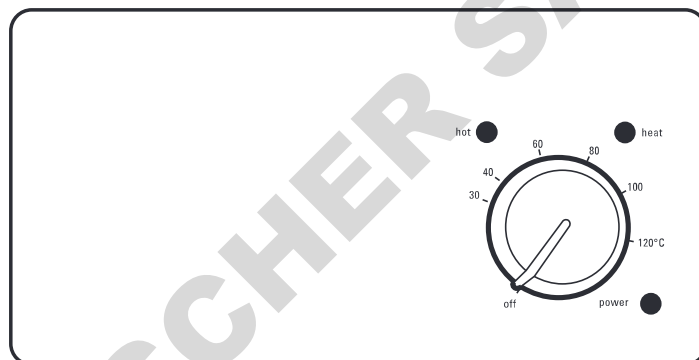


Figure 4 - commandes analogiques

1. Mettre sous tension à l'aide de l'interrupteur situé à l'arrière de l'instrument - voir figure 2.
2. Le voyant "power" s'allume - voir figure 4.
3. La température voulue peut être réglée à l'aide de la molette de commande portant l'indication "heat" sur le côté droit du panneau de commande - voir figure 4. Si l'on tourne cette molette dans la position portant l'indication "off", le réchauffeur s'éteint. Sinon, la graduation autour de la molette servira de guide pour la température de consigne.
4. L'instrument va alors commencer à chauffer les blocs d'aluminium à cette température, et le voyant portant l'indication "heat" sur le panneau de commande va s'allumer - voir figure 4.
5. Si la température des blocs dépasse 50°C, le voyant rouge portant l'indication commence à clignoter pour signaler que les blocs sont trop chauds au toucher - voir figure 4. Ceci va continuer même si l'on éteint le réchauffeur à l'aide de la molette du panneau de commande, aussi longtemps que l'instrument restera connecté à l'alimentation électrique et sous tension sur l'interrupteur situé à l'arrière.

6. Une fois la température de consigne atteinte, l'instrument va maintenir les blocs à cette température, jusqu'à ce que l'on modifie le réglage ou que l'on éteigne l'instrument.
7. Les récipients peuvent être retirés ou ajoutés des blocs à tout moment durant l'opération.

N.B. Agir avec prudence pour mettre en place des récipients en verre froid dans des blocs préchauffés. Le choc thermique résultant pourrait briser le récipient.

8. Si la température doit être réglée avec précision, on peut la mesurer à l'aide d'un thermomètre placé dans le petit trou sur le dessus du bloc. La position de la molette de commande devra ensuite être ajustée pour relever ou abaisser la température suivant les besoins. Si ce réglage doit être répété régulièrement, il est possible de laisser la molette de commande en position et d'utiliser l'interrupteur à l'arrière de l'instrument pour l'éteindre ou l'allumer. Noter que mettre l'appareil hors tension à l'arrière fait cesser le clignotement du voyant d'avertissement de chaleur.
9. Après utilisation, mettre l'instrument hors tension à l'aide de l'interrupteur situé à l'arrière, et laisser refroidir. L'appareil devra ensuite être débranché de l'alimentation électrique.

4. Étalonnage-modèles numériques uniquement

Ces appareils sont étalonnés lors de la fabrication à l'aide de blocs conçus pour des tubes de 16mm. La différence de masse d'aluminium des blocs conçus pour d'autres tailles ou types de récipients peut entraîner de petites divergences entre la température affichée et la température réelle des blocs.

Si le réchauffeur de blocs doit être utilisé avec d'autres blocs et qu'un réglage de température très précis est nécessaire, alors l'appareil devra être ré-étalonné pour les blocs à utiliser.

Vous avez besoin d'un thermomètre étalonné avec précision pour que cette procédure soit valable. Le réchauffeur de blocs ne peut qu'avoir une précision égale à celle du thermomètre utilisé pour l'étalonner.

Suivre la procédure définie ci-dessous.

1. Commencer avec des articles froids.
2. Les blocs devront être fermement poussés sur le côté droit du réceptacle, sans lame d'air entre les blocs. Le bloc de droite sera utilisé comme bloc d'étalonnage.
3. Mettre l'appareil sous tension et régler l'afficheur de température à 30°C suivant la procédure définie dans la section 3.1.
4. Appuyer simultanément sur les trois boutons et les maintenir pendant 5 secondes, jusqu'à ce que le voyant orange "heat" cesse de clignoter et reste allumé de façon permanente.
5. L'auto-étalonnage démarre maintenant et l'appareil commence à chauffer.
6. Après environ 30 minutes, l'appareil va s'être stabilisé à environ 40°C et l'afficheur va passer de l'indication de la température à la lecture (EEEE).
7. Mesurer la température exacte des blocs dans le trou de thermomètre du bloc de droite.
8. Appuyer sur le bouton "set" et le relâcher.
9. Appuyer sur le bouton "set" et le maintenir enfoncé, puis utiliser le bouton de montée ou de descente pour ajuster la température d'affichage à la température réelle mesurée.
10. Appuyer simultanément sur les boutons de montée et descente pour confirmer la valeur. Le voyant orange "heat" cesse de clignoter et reste allumé de façon permanente.
11. L'auto-étalonnage continue alors et l'appareil va progressivement grimper jusqu'à 5°C sous le maximum, c'est-à-dire soit 125°C, soit 195°C, selon le modèle.
12. Après environ 30 minutes, l'appareil va s'être stabilisé et l'afficheur va passer de l'indication de la température à la lecture (EEEE).
13. Mesurer la température exacte des blocs dans le trou de thermomètre du bloc de droite.
14. Appuyer sur le bouton "set" et le relâcher.
15. Appuyer sur le bouton "set" et le maintenir enfoncé, puis utiliser le bouton de montée ou de descente pour ajuster la température d'affichage à la température réelle mesurée.
16. Appuyer simultanément sur les boutons de montée et descente pour confirmer la valeur.
17. L'appareil va maintenant commencer à

contrôler la température à l'aide des nouveaux paramètres d'étalonnage.

18. Laisser passer 30 minutes pour que la température se stabilise.
19. Vérifiez que la température d'affichage et la température du thermomètre sont maintenant toutes deux entre 124°C et 126°C ou 194°C et 196°C selon le modèle.
20. Appuyer sur le bouton "set" et le relâcher pour confirmer l'étalonnage. La température de consigne va revenir à 30°C.
21. Réinitialiser la température de consigne au maximum (130 ou 200°C) et laisser passer quelques minutes pour vérifier que l'appareil atteint réellement cette température.
22. L'étalonnage est maintenant terminé et appareil peut être utilisé de la manière habituelle.

5. Facteurs affectant l'étalonnage et la précision

Afin d'obtenir la précision maximale du matériel et d'assurer un étalonnage exact, les facteurs énumérés ci-dessous devront être pris en considération car ils affecteront tous les performances de l'appareil.

1. La base des blocs et la surface chauffée de l'appareil doivent être scrupuleusement propres pour assurer un bon contact.
2. Les blocs devront être poussés fermement les uns contre les autres sur le côté droit du réceptacle.
3. Le rayonnement thermique des blocs peut être affecté par l'état de la surface et perturber la précision. La surface supérieure devra être maintenue propre et brillante.
4. Si l'appareil est utilisé dans une zone de fort tirage, tels qu'une hotte aspirante, il peut exister un gradient de température à travers les blocs. Dans ce cas, le couvercle de sécurité devra être utilisé pour protéger les blocs du courant d'air.
5. Lors de l'étalonnage, la sonde de température utilisée devra s'adapter parfaitement dans le trou du bloc.

6. Retrait des blocs d'aluminium

N.B. Ne pas essayer de retirer les blocs avant d'avoir mis l'instrument hors tension et de l'avoir laissé refroidir.

L'instrument est livré avec un outil spécial pour faciliter le retrait des blocs.

Celui-ci devra être vissé dans le trou de thermomètre du bloc puis utilisé pour soulever le bloc et le dégager de l'instrument. Une rallonge est prévue pour être utilisée avec des tubes longs.

Une encoche pratique de rangement est située des deux côtés de la carrosserie de l'appareil - voir figure 1.

7. Blocs d'aluminium et accessoires

La gamme de blocs d'aluminium suivante est disponible. Tous sont fabriqués en aluminium anodisé et disposent d'un trou supplémentaire conçu pour recevoir un thermomètre en cas de besoin.

Tous les blocs présentent les dimensions suivantes: (l x p x h) 75 x 95 x 50mm, et peuvent être utilisé selon n'importe quelle combinaison.

N° Cat.	Taille des tubes (diamètre/type)	Nombre de trous	Taille des trous mm (diamètre x profondeur)
SHT1/0	Bloc plein	-	-
SHT1/10	10mm	20	10,5 x 47
SHT1/12	12mm	20	12,5 x 47
SHT1/12/33	12mm	20	12,5 x 33
SHT1/13	13mm	20	13,5 x 47
SHT1/16	16mm	12	16,6 x 47
SHT1/19	19mm	8	19,5 x 47
SHT1/20	Tubes 2ml	20	10,5 x 33
SHT1/21	Bloc à canaux amovibles pour cuvettes de verre et jetables.		
SHT1/22	Tubes 1,5ml	20	10,7 x 14
SHT1/25	25mm	6	25,5 x 47
SHT1/28	28mm	6	28,0 x 47
SHT1/30	Tubes 0,5ml	30	7,8 cône 9°
SHT1/30/1	30mm	4	30,1 x 47
SHT1/33	33mm	4	33,2 x 47
SHT1/48	Tubes 0,2ml	48	6,1 cône 9°
SHT1/80	Bande de tubes 0,2ml	10 x 8	-
SHT1/96	Plaque 96 puits	-	7,5 cône 9°
SHT1/384	Plaque 384 puits	-	3,6 cône 9°

Les accessoires suivants sont disponibles chez Antylia Scientific ou ses agents:

N° Cat.	Description
SBH/2	Couvercle de sécurité, modèles 2 blocs
SBH/3	Couvercle de sécurité, modèles 3 blocs et double contrôle
SBH/4	Outil d'extraction des blocs

8. Installation électrique



CET INSTRUMENT DOIT ETRE RELIE A LA TERRE



Avant tout branchement, veuillez lire et comprendre ces instructions et vérifier que l'alimentation de la ligne correspond à celle indiquée sur la plaque signalétique de l'appareil.

Consommation électrique :

Modèle	Puissance	Fréquence	Fusibles
BH-200-2	300W	50/60Hz	F3.15 AL
BH-200D-2	300W	50/60Hz	F3.15 AL
BH-200D-2-HT	300W	50/60Hz	F3.15 AL
BH-200D-3	450W	50/60Hz	F3.15 AL
BH-200D-3-HT	450W	50/60Hz	F3.15 AL
BH-200DC-2	300W	50/60Hz	F3.15 AL
BH-200D-2-HTC	300W	50/60Hz	F3.15 AL

Les instruments sont équipés d'une prise IEC située à l'arrière de l'appareil pour le branchement du cordon secteur. La prise IEC comporte un tiroir contenant les fusibles ainsi qu'un interrupteur secteur marche/arrêt - voir figure 2.

Prudence : fusibles installés sur les deux lignes phase et neutre.

Ces appareils sont livrés avec deux cordons secteur équipés de fiches IEC permettant le branchement à l'appareil. Un cordon possède une

fiche à 3 broches britannique et l'autre est équipé d'une fiche à 2 broches "Schuko" permettant le branchement sur secteur. Choisir le cordon approprié pour votre installation électrique et jeter l'autre.

Si ni l'un ni l'autre ne conviennent, prendre le cordon équipé de la fiche britannique et remplacer celle-ci par une alternative convenable. Ceci implique de couper la prise moulée, de préparer le câble, et de le connecter à la fiche à câbler en conformité avec ses instructions.

IL EST IMPORTANT QUE CETTE OPERATION NE SOIT EFFECTUEE QUE PAR UN ELECTRICIEN QUALIFIE

NOTE : consulter la plaque signalétique du matériel pour vérifier que la fiche et les fusibles conviennent à la puissance et à la tension indiquées.

Les fils du câble secteur portent les couleurs suivantes :

PHASE - MARRON

NEUTRE - BLEU

TERRE - VERT/JAUNE

Le cordon secteur approprié devra être branché à l'instrument AVANT raccordement à l'alimentation secteur.

En cas de nécessité de remplacer le cordon secteur, un câble de 1mm² au code harmonisé H05W-F raccordé à une fiche IEC320 devra être utilisé.

N.B. Le cordon secteur britannique est protégé par un fusible 10A monté sur le dessus de la fiche.

EN CAS DE DOUTE, CONSULTER UN ELECTRICIEN QUALIFIE

9. Conseils de sécurité

Ce matériel est conçu pour fonctionner dans les conditions suivantes :

- ❖ utilisation en intérieur exclusivement
- ❖ utilisation dans un endroit bien ventilé
- ❖ plage de température ambiante +5°C à +40°C
- ❖ altitude jusqu'à 2000m
- ❖ humidité relative ne dépassant pas 80%
- ❖ fluctuation de tension secteur ne dépassant pas 10%
- ❖ surtension de catégorie II IEC60364-4-443
- ❖ pollution de degré 2
- ❖ utiliser à une distance minimale sur le pourtour de 200 mm par rapport aux murs et autres équipements

L'appareil devra être porté à deux mains.

Ne jamais déplacer ni transporter l'appareil lorsqu'il est en service ou branché à l'alimentation électrique sur secteur.

L'instrument ne devra pas être mis sous tension ni en chauffe sans que le nombre approprié de blocs d'aluminium soit installé dans le réceptacle sur le dessus de l'appareil.

Les blocs d'aluminium peuvent être CHAUDS. Ne jamais déplacer ni transporter l'appareil sans l'avoir débranché de l'alimentation électrique et laissé refroidir.

Les blocs ne devront JAMAIS être retirés de l'instrument avant que celui-ci ait été débranché de l'alimentation électrique et laissé refroidir.

Les blocs ne devront être retirés qu'à l'aide de l'outil spécialement conçu livré avec l'instrument - voir figure 1.

Si du liquide est renversé sur les blocs, on devra immédiatement mettre l'instrument hors tension et le laisser refroidir. Les blocs et le réceptacle sur le dessus de l'appareil devront être soigneusement nettoyés et séchés avant toute autre utilisation. Veiller à observer les précautions de sécurité adéquates selon la nature du liquide déversé.

S'il y a eu aspersion importante des blocs ou déversement dans l'instrument, le matériel devra être vérifié par un électricien qualifié avant toute autre utilisation.

En cas de coupure secteur, de défaut ou de panne électrique, l'appareil va continuer de fonctionner au rétablissement de l'alimentation électrique ou à l'élimination de la panne.

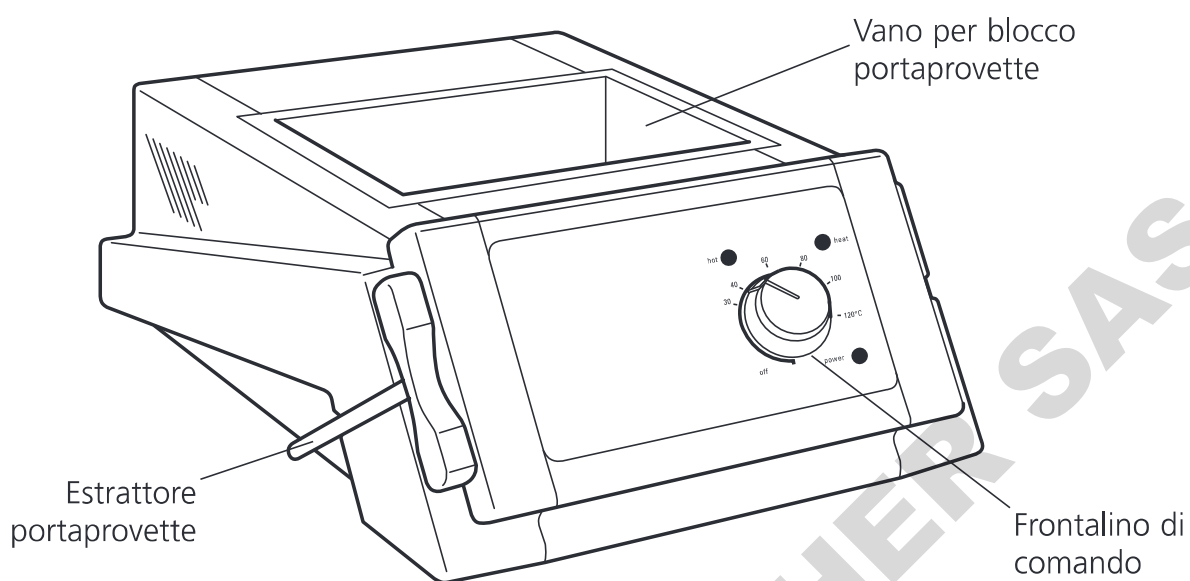


Figura 1: Vista anteriore

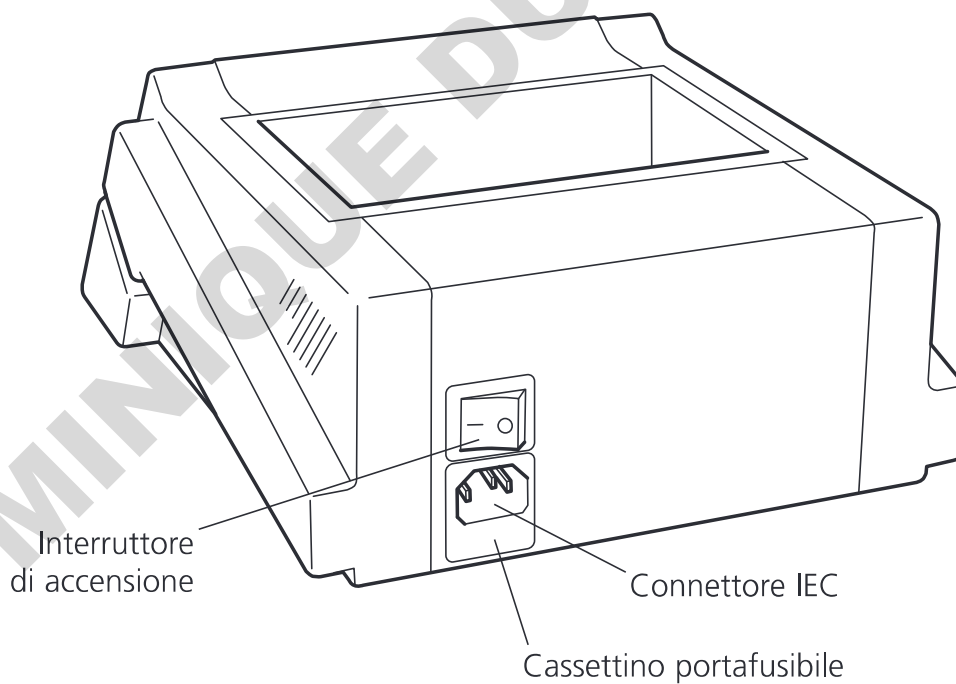



Figura 2: Vista posteriore

Si ringrazia della preferenza accordataci con l'acquisto di questo apparecchio Cole-Parmer. Al fine di ottenere le prestazioni ottimali, si invita l'utente a leggere attentamente le presenti istruzioni prima dell'uso.

SCALDAPROVETTE

BH-200-2, BH-200D-2, BH-200D-2-HT, BH-200D-3, BH-200D-3-HT, BH-200DC-2 e BH-200D-2-HTC.

 **Ai fini della incolumità propria e degli altri, si invita l'utente a leggere e osservare le norme di sicurezza riportate nella sezione 9 del presente manuale prima di utilizzare l'apparecchio.**

L'inosservanza delle istruzioni riportate nel presente manuale durante l'utilizzo dell'apparecchio può comprometterne la sicurezza intrinseca.

1. Cenni sull'apparecchio

Gli scaldaprovette Cole-Parmer sono realizzati al fine di regolare con precisione la temperatura delle provette e di altri contenitori di piccole dimensioni mediante l'utilizzo di blocchi di alluminio preforati con fori aventi diametri adeguati ai contenitori utilizzati. I blocchi sono disponibili in un ampio assortimento di fori per contenitori di dimensioni e tipologie diverse - vedere la sezione 7.

I blocchi di alluminio vanno inseriti nel vano ricavato nella parte superiore dell'apparecchio (vedere la figura 1) e vengono riscaldati dalla parte sottostante dell'apparecchio. Tutti i blocchi sono intercambiabili ed è possibile utilizzare contemporaneamente blocchi di diverse dimensioni.

La grande massa termica dei blocchi di alluminio consente di controllare la temperatura delle provette con estrema precisione e uniformità.

È possibile ordinare coperchi di sicurezza in Perspex destinati a proteggere l'utente dall'eventuale fuoriuscita del contenuto delle provette, nonché a garantire l'uniformità della temperatura all'interno dei blocchi perché i coperchi proteggono il blocco dagli spifferi d'aria.

2. Interventi preliminari per tutti i modelli

1. Osservare le istruzioni relative all'installazione elettrica riportate nella sezione 8 del presente manuale e collegare l'apparecchio

all'alimentazione elettrica. **NON ACCENDERLO ANCORA.**

2. Scegliere i blocchi di alluminio avente fori dalla dimensione idonea ai contenitori da riscaldare.
3. Inserire con cautela il numero richiesto di blocchi di alluminio nel vano ricavato nella parte superiore dell'apparecchio - vedere la figura 1.

N.B. La piastra sul fondo del vano e la base dei blocchi di alluminio devono essere sempre tenute perfettamente pulite per assicurarne il contatto termico ottimale. L'eventuale presenza di sostanze estranee, in particolare di particelle di sporco, può compromettere il rendimento dell'apparecchio.

4. Inserire i contenitori da riscaldare nei fori di cui sono muniti i blocchi di alluminio.
5. Montare eventualmente il coperchio di protezione poggiandolo semplicemente sulla parte superiore dell'apparecchio o fissandolo servendosi delle viti in dotazione, che vanno inserite nei fori previsti sul retro dello scaldaprovette (vedere la figura 1).
6. Accendere l'apparecchio e impostare la temperatura desiderata.

3. Impostazione della temperatura

3.1 Modelli digitali BH-200D-2, BH-200D-2-HT, BH-200D-3, BH-200D-3-HT, BH-200DC-2 e BH-200D-2-HTC

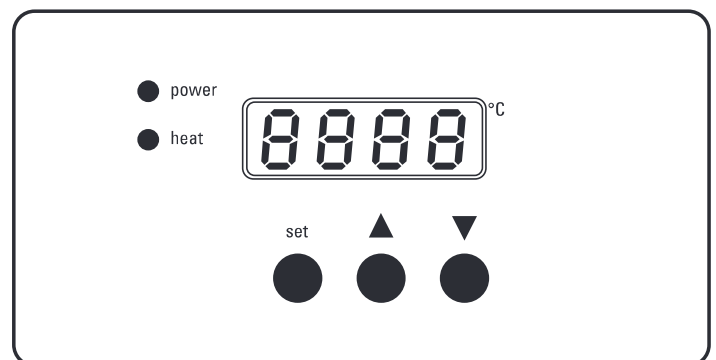


Figura 3 - comandi digitali

1. Accendere l'apparecchio con l'interruttore di accensione previsto sul retro dell'apparecchio - vedere la figura 2.

2. Si accende la spia "power", come pure il display digitale - vedere la figura 3.
3. Il display digitale visualizza la temperatura effettiva dei blocchi di alluminio. Qualora la temperatura impostata sull'apparecchio sia superiore a questo valore, l'apparecchio comincerà a riscaldarsi e si accenderà la spia "heat" sul quadro di comando. La temperatura impostata può essere visualizzata in qualsiasi momento premendo e tenendo premuto il pulsante "set" - vedere la figura 3.
4. Per regolare la temperatura impostata, premere e tenere premuto il pulsante "set" per visualizzare il valore attualmente impostato.
5. Questo valore può essere aumentato premendo il pulsante contrassegnato ▲ o diminuito premendo il pulsante contrassegnato ▼ continuando a tenere premuto il pulsante "set" - vedere la figura 3.
6. Agendo una volta su questi pulsanti si aumenta o diminuisce il valore impostato di 0,1°C per volta. Premendo e tenendo premuti questi pulsanti, i valori vengono aumentati o diminuiti rapidamente sul display fino a quando appare il valore desiderato.
7. Quando la temperatura desiderata appare sul display, rilasciare il pulsante "set" per visualizzare di nuovo sul display la temperatura effettiva.
8. L'apparecchio comincerà a riscaldare i blocchi di alluminio alla temperatura impostata.
9. Durante la fase di riscaldamento, la spia contrassegnata "heat" sul quadro di comando si accende a luce fissa, per poi passare a luce pulsante quando la temperatura dell'apparecchio si avvicina al valore impostato.
10. Quando viene raggiunta la temperatura impostata, l'apparecchio mantiene i blocchi di alluminio a questa temperatura fino a quando non si modifica il valore impostato o non si spegne l'apparecchio.
11. È possibile estrarre o inserire contenitori dal vano in qualsiasi momento ad apparecchio in funzione.

N.B. Adottare la massima cautela qualora si inseriscano contenitori di vetro nei blocchi pre-riscaldati onde evitare la rottura del contenitore provocata dallo shock termico.

12. Dopo l'utilizzo dell'apparecchio, spegnerlo agendo sul pulsante posto sul retro dell'apparecchio stesso per farlo raffreddare. Staccare la spina dalla presa elettrica. Al successivo utilizzo, l'apparecchio si riscalderà all'ultima temperatura impostata.

3.2 Modello digitale BH-200DC-2 & BH-200D-2-HTC

Il modello BH-200DC-2 & BH-200D-2-HTC ospita 2 blocchi di alluminio dotati di comandi di regolazione temperatura, che consentono di impostare ciascun blocco ad una temperatura diversa. La disposizione e il funzionamento dei comandi per ciascun blocco di alluminio è identico a quello descritto qui sopra.

L'utilizzo di questo modello con un solo blocco in posizione prevede la regolazione della temperatura su 30°C.

3.3 Modello analogico BH-200-2

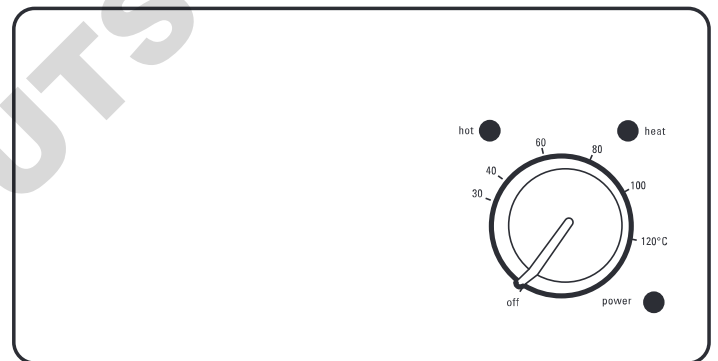


Figura 4 - comandi analogici

1. Accendere l'apparecchio agendo sull'interruttore posto sul retro dell'apparecchio - vedere la figura 2.
2. Si accende la spia "power" - vedere la figura 4.
3. La temperatura desiderata può essere impostata agendo sulla manopola di regolazione contrassegnata "heat" sul lato destro del quadro di comando - vedere la figura 4. La rotazione della manopola alla posizione contrassegnata "off" spegne l'apparecchio, altrimenti i valori stampati intorno alla manopola indicano la temperatura impostata.
4. L'apparecchio comincia a riscaldare i blocchi di alluminio alla temperatura impostata e si accende la spia contrassegnata "heat" sul

quadro di comando - vedere la figura 4.

5. Qualora la temperatura dei blocchi superi i 50°C, si accende a luce pulsante la spia rossa contrassegnata "hot" per segnalare che la temperatura dei blocchi è troppo alta per toccarli - vedere la figura 4. La spia rimane accesa anche se l'apparecchio viene spento agendo sulla manopola posta sul frontalino di comando purché l'apparecchio rimanga sotto tensione e l'interruttore di accensione posto sul retro dell'apparecchio rimanga acceso.
6. Una volta raggiunta la temperatura impostata, l'apparecchio mantiene i blocchi a questa temperatura fino a quando non la si cambia o non si spegne l'apparecchio.
7. I contenitori possono essere estratti dai blocchi o aggiunti agli stessi in qualsiasi momento ad apparecchio in funzione.

N.B. Adottare la massima cautela qualora si inseriscano contenitori di vetro nei blocchi pre-riscaldati onde evitare la rottura del contenitore a causa dello shock termico.

8. Qualora si desideri impostare la temperatura con maggiore precisione, è possibile inserire un termometro nel piccolo foro presente nella parte superiore del blocco. La posizione della manopola di regolazione può essere regolata per aumentare o diminuire a piacimento la temperatura. Qualora sia necessario impostare il valore della temperatura ad intervalli regolari, è possibile mantenere inalterata la posizione della manopola di regolazione e ricorrere all'interruttore sul retro dell'apparecchio per accenderlo e spegnerlo. Si fa presente che lo spegnimento dell'apparecchio agendo sull'interruttore sul retro dell'apparecchio provoca lo spegnimento della spia di segnalazione blocco rovente.
9. Per spegnere l'apparecchio, agire sull'interruttore posto sul retro dell'apparecchio stesso, poi staccare la spina dalla presa elettrica.

4. Taratura - Solo per i modelli digitali

Questi apparecchi vengono tarati durante la fabbricazione utilizzando dei blocchi destinati alle provette da 16 mm. La diversa massa di alluminio nei blocchi realizzati per altri tipi di contenitori può provocare differenze tra la temperatura visualizzata e la temperatura effettiva dei blocchi. Qualora si desideri utilizzare lo scaldaprovette con altri blocchi e sia necessario impostare la temperatura con estrema precisione, sarà necessario tarare di nuovo l'apparecchio per i blocchi che si desidera utilizzare.

Per ottenere risultati ottimali, utilizzare un termometro tarato con estrema precisione in quanto la precisione dei blocchi portaprovette dipende dalla precisione del termometro utilizzato per calibrarli.

Eeguire le operazioni indicate qui di seguito.

1. Verificare che i blocchi siano freddi.
2. Inserire i blocchi nel lato destro del vano dell'apparecchio a stretto contatto l'uno con l'altro. Il blocco più a destra è destinato alla taratura dell'apparecchio.
3. Accendere l'apparecchio ed impostare la temperatura su 30°C osservando le istruzioni riportate nella sezione 3.1
4. Premere contemporaneamente tutti e tre i pulsanti e tenerli premuti per 5 secondi fino a quando la spia "heat" accesa a luce pulsante si accende a luce fissa.
5. Viene eseguita la taratura automatica dell'apparecchio, poi l'apparecchio comincia a riscaldarsi.
6. Dopo circa 30 minuti, la temperatura dell'apparecchio si stabilizzerà a circa 40°C e il display visualizzerà (EEEE) anziché la temperatura.
7. Misurare con precisione la temperatura del blocco nel foro destinato al termometro nel blocco più a destra.
8. Premere e rilasciare il pulsante Set.
9. Premere e tenere premuto il pulsante Set ed agire sui due tasti freccia per regolare la temperatura del display alla temperatura effettivamente misurata.

10. Premere contemporaneamente i due tasti freccia per confermare il valore. La spia arancio "heat", accesa a luce pulsante, si accende a luce fissa.
11. L'operazione di taratura automatica continua e l'apparecchio raggiungerà un valore di 5°C inferiore al valore massimo, ovvero 125°C o 195°C in funzione del modello.
12. Dopo circa 30 minuti, la temperatura dell'apparecchio si sarà stabilizzata ed apparirà sul display la sigla (EEEE) anziché la temperatura.
13. Misurare con precisione la temperatura del blocco all'interno del foro destinato al termometro nel blocco più a destra.
14. Premere e rilasciare il pulsante Set.
15. Premere e tenere premuto il pulsante Set ed agire sui due tasti freccia per regolare la temperatura visualizzata sul display a quella effettivamente misurata.
16. Premere contemporaneamente i due tasti freccia per confermare il valore.
17. L'apparecchio comincerà a regolare la temperatura ai nuovi parametri di taratura.
18. Attendere 30 minuti per stabilizzare la temperatura.
19. Verificare che la temperatura visualizzata sul display e la temperatura misurata dal termometro sia compresa fra 124°C e 126°C o 194°C e 196°C in funzione del modello.
20. Premere e rilasciare il pulsante Set per confermare la taratura. La temperatura impostata ritornerà a 30°C.
21. Impostare di nuovo il valore massimo della temperatura (130 o 200°C) ed attendere qualche minuto per verificare che l'apparecchio raggiunga effettivamente la temperatura impostata.
22. L'operazione di taratura è ultimata e l'apparecchio può essere utilizzato normalmente.

5. Fattori che influiscono sulla taratura e sulla precisione

Al fine di ottenere la massima precisione dall'apparecchio e di assicurare la precisione della taratura, osservare i provvedimenti indicati qui di seguito onde evitare il calo di rendimento dell'apparecchio.

1. La base dei blocchi e la superficie riscaldata nell'apparecchio devono essere sempre tenute perfettamente pulite al fine di assicurarne il contatto ottimale.
2. Inserire i blocchi in modo che siano perfettamente a contatto con il lato destro del vano
3. La radiazione termica sprigionata dai blocchi può compromettere la condizione della superficie e la misurazione precisa della temperatura. Accertarsi che la superficie dell'apparecchio sia pulita e lucida.
4. L'eventuale utilizzo dell'apparecchio in un ambiente soggetto a forti correnti d'aria, come ad esempio all'interno di un cappa fumaria, può provocare una variazione della temperatura lungo i blocchi. In questo caso, è buona norma utilizzare il coperchio di protezione destinato a proteggere i blocchi dalle correnti d'aria.
5. Durante l'operazione di taratura, accertarsi che la dimensione del puntale misurazione temperatura sia idonea alla grandezza del foro del blocco.

6. Estrazione dei blocchi di alluminio

N.B. Estrarre i blocchi di alluminio dal vano solo ad apparecchio spento e freddo

L'apparecchio è dotato di un apposito utensile destinato ad agevolare l'estrazione dei blocchi.

Avvitare l'utensile nel foro destinato al termometro nella parte superiore del blocco ed utilizzarlo per estrarre il blocco dall'apparecchio. È anche disponibile una prolunga per provette lunghe.

Entrambi i lati del corpo dell'apparecchio sono muniti di una comoda scanalatura riponi-prolunga - vedere la figura 1.

7. Blocchi di alluminio ed accessori

L'assortimento di blocchi di alluminio disponibili è elencato qui di seguito. Tutti i blocchi sono realizzati in alluminio anodizzato e sono muniti di un foro supplementare destinato ad ospitare un termometro.

Le dimensioni dei blocchi (l x p x a) sono 75 x 95 x 50 mm. I blocchi possono essere utilizzati in qualsiasi combinazione.

Codice prodotto	Dim. provetta (diametro /tipo)	N° di fori	Dimensione in mm (diametro /tipo)
SHT1/0	Blocco semplice	-	-
SHT1/10	10 mm	20	10,5 x 47
SHT1/12	12 mm	20	12,5 x 47
SHT1/12/33	12 mm	20	12,5 x 33
SHT1/13	13 mm	20	13,5 x 47
SHT1/16	16 mm	12	16,6 x 47
SHT1/19	19 mm	8	19,5 x 47
SHT1/20	Provette da 2 ml	20	10,5 x 33
SHT1/21	Blocco con canaline asportabili per vetreria e cuvette monouso.		
SHT1/22	Provette da 1,5 ml	20	10,7 x 14
SHT1/25	25 mm	6	25,5 x 47
SHT1/28	28 mm	6	28,0 x 47
SHT1/30	Provette da 0,5 ml	30	7,8 Conicità di 9°
SHT1/30/1	30 mm	4	30,1 x 47
SHT1/33	33 mm	4	33,2 x 47
SHT1/48	Provette da 0,2 ml	48	6,1 Conicità di 9°
SHT1/80	Provette componibili da 0,2 ml	10 x 8	-
SHT1/96	Vaschetta portaprovette a 96 posti	-	7,5 Conicità di 9°
SHT1/384	Vaschetta portaprovette a 384 posti	-	3,6 Conicità di 9°

I seguenti accessori possono essere acquistati presso la Antylia Scientific o i suoi rappresentanti:

Codice prodotto.	Denominazione
SBH/2	Coperchio di protezione, modelli a 2 blocchi
SBH/3	Coperchio di protezione, modelli a 3 blocchi e doppi comandi
SBH/4	Estrattore per blocchi

8. Installazione elettrica



L'APPARECCHIO DEVE ESSERE MUNITO DI MESSA A TERRA



Prima di collegare l'apparecchio all'alimentazione elettrica, osservare attentamente le presenti istruzioni ed accertarsi che la corrente erogata dalla rete elettrica corrisponda a quella indicata sulla targhetta del costruttore

Elenco del consumo di corrente per i diversi modelli:

Modello	Potenza	Frequenza	Fusibili
BH-200-2	300 W	50/60 Hz	F3.15 AL
BH-200D-2	300 W	50/60 Hz	F3.15 AL
BH-200D-2-HT	300 W	50/60 Hz	F3.15 AL
BH-200D-3	450 W	50/60 Hz	F3.15 AL
BH-200D-3-HT	450 W	50/60 Hz	F3.15 AL
BH-200DC-2	300 W	50/60 Hz	F3.15 AL
BH-200D-2-HTC	300 W	50/60 Hz	F3.15 AL

Gli apparecchi sono muniti di una presa IEC sul retro dell'apparecchio destinata al collegamento del cavo di alimentazione alla rete elettrica. La presa IEC è dotata di un cassetto estraibile contenente i fusibili e dell'interruttore di accensione - vedere la figura 2.

Avvertenza: I fusibili sono montati sulla linea di fase e neutra.

Gli apparecchi vengono forniti con due cavi di alimentazione elettrica muniti di spine IEC. Un cavo è munito di una spina tripolare inglese, l'altro di una spina bipolare "Schuko" da collegare alla rete elettrica. Scegliere il cavo indicato per l'impianto elettrico e scartare l'altro.

Qualora nessuno dei due cavi di alimentazione sia idoneo, sostituire il cavo munito di spina inglese con una spina idonea. A tal fine, tagliare la spina incorporata al cavo, preparare il cavo e collegarlo alla nuova spina osservando le istruzioni in dotazione con la stessa.

AFFIDARE QUESTO INTERVENTO SOLO A UN ELETTRICISTA QUALIFICATO

NOTA: Verificare che la spina e il fusibile utilizzati siano idonei per la tensione e la potenza indicati sulla targhetta del costruttore.

I fili e il cavo di alimentazione sono contraddistinti dai seguenti colori:

FASE: MARRONE

NEUTRO: BLU

TERRA: GIALLO/VERDE

Collegare un cavo di alimentazione idoneo all'apparecchio PRIMA di collegare lo stesso alla rete elettrica.

Qualora sia necessario sostituire il cavo di alimentazione, utilizzare un cavo da 1mm², codice armonizzato H05W-F, collegato a una spina IEC320.

N.B. Il cavo di alimentazione inglese è protetto da un fusibile da 10 A montato nella parte superiore della spina.

IN CASO DI DUBBIO, CONSULTARE UN ELETTRICISTA QUALIFICATO

9. Norme di sicurezza

Condizioni previste per l'utilizzo in sicurezza dell'apparecchio:

- ❖ Solo in locali al chiuso
- ❖ In aree adeguatamente ventilate
- ❖ A temperature ambiente comprese fra +5°C e +40°C
- ❖ Ad altitudine massima di 2000 m
- ❖ In ambienti con umidità relativa non superiore all'80%
- ❖ In presenza di variazioni di corrente di alimentazione inferiori al 10%
- ❖ Sovratensione categoria II a norma IEC60364-4-443
- ❖ Grado di inquinamento 2
- ❖ Con distanza minima tra i lati dell'apparecchio e il muro o altri oggetti di almeno 200 mm

Trasportare l'apparecchio con entrambe le mani.

Non spostare o trasportare l'apparecchio quando è in uso o è collegato alla rete elettrica.

Non accendere o riscaldare l'apparecchio se non sono stati inseriti i blocchi di alluminio previsti nel vano previsto nella parte superiore dell'apparecchio.

I blocchi di alluminio possono essere ROVENTI.

Non spostare o trasportare mai l'apparecchio quando quest'ultimo è ancora collegato alla rete elettrica e non si è raffreddato

NON togliere MAI i blocchi dall'apparecchio prima di avere staccato la spina dalla presa elettrica e di averlo raffreddato.

Estrarre i blocchi dall'apparecchio servendosi dell'apposito estrattore in dotazione - vedere la figura 1.

Qualora vengano rovesciate sostanze liquide sui blocchi, spegnere immediatamente l'apparecchio e lasciarlo raffreddare. Pulire e asciugare i blocchi e il vano prima di riutilizzare l'apparecchio. Osservare le norme di sicurezza previste a seconda del tipo di liquido rovesciato.

Qualora i blocchi o l'apparecchio vengano bagnati eccessivamente o entri una notevole quantità di liquido nell'apparecchio, farlo controllare da un elettricista qualificato prima di riutilizzarlo.

In caso di caduta di corrente o di guasto meccanico o elettrico, l'apparecchio riprenderà a funzionare una volta ripristinata l'erogazione della corrente o riparato il guasto.

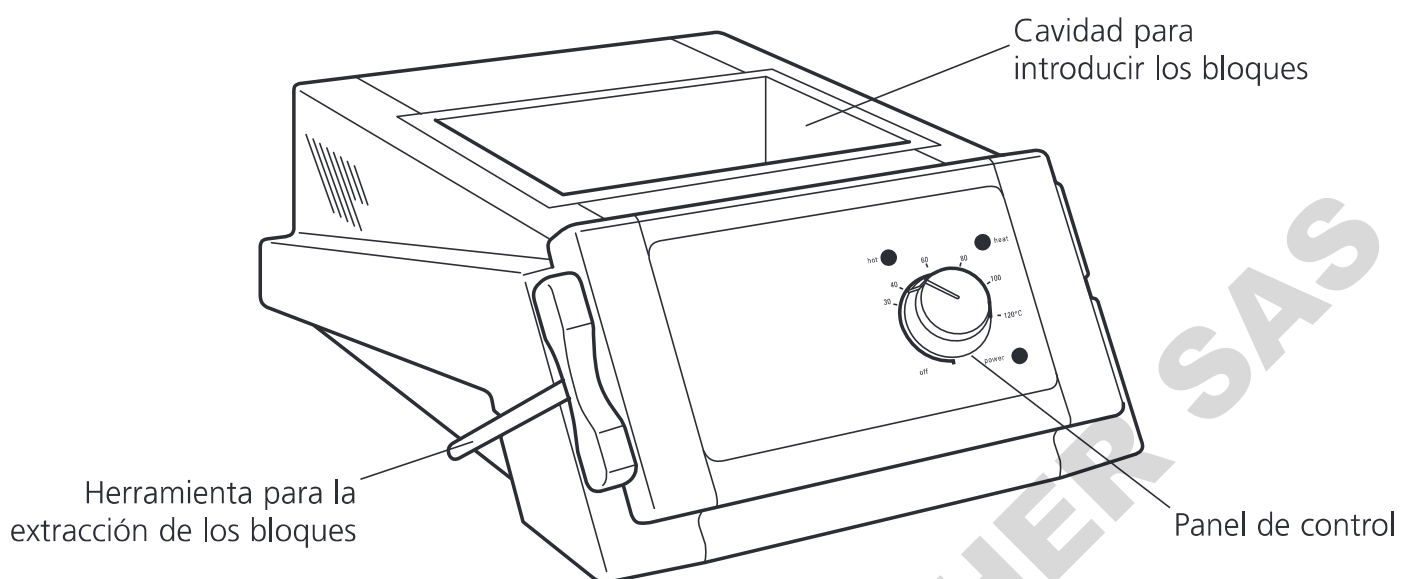


Figura 1: Vista frontal

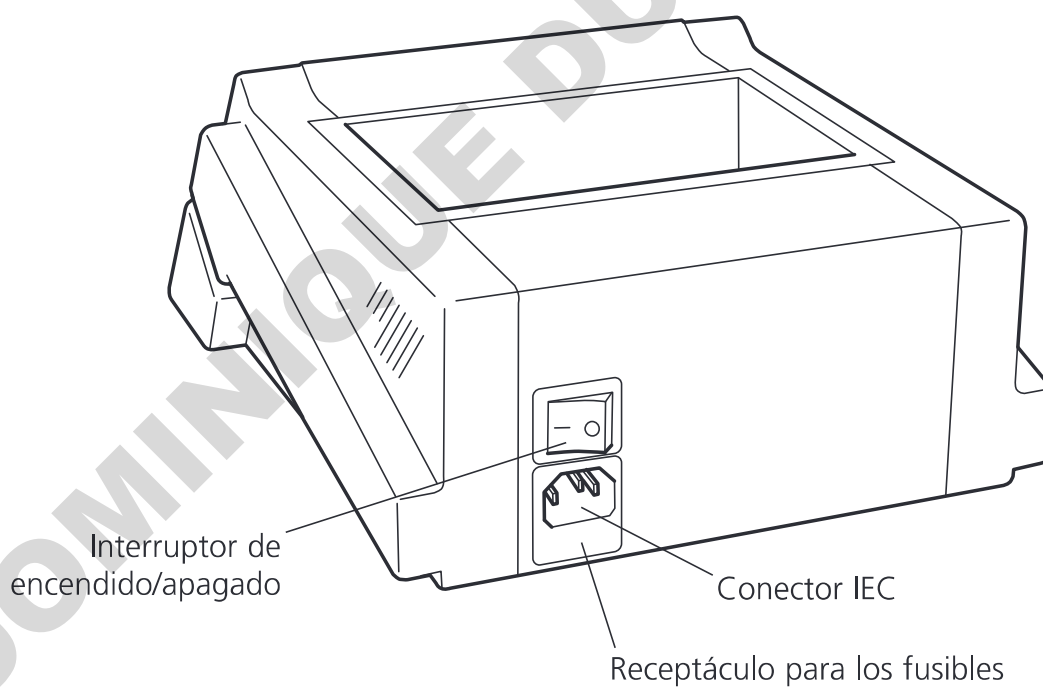


Figura 2: Vista trasera

Le agradecemos que haya adquirido este equipo Cole-Parmer. Para conseguir un rendimiento óptimo del equipo, antes de utilizarlo, lea las instrucciones detenidamente.

CALENTADORES DE BLOQUES PARA TUBOS DE ENSAYO

BH-200-2, BH-200D-2, BH-200D-2-HT, BH-200D-3, BH-200D-3-HT, BH-200DC-2 y BH-200D-2-HTC.



Por su propia seguridad y la de los demás, antes de utilizar el equipo, lea detenidamente los consejos de seguridad contenidos en la sección 9 de este manual y asegúrese de que los comprende.

Si se utiliza el equipo de un modo distinto al descrito en este manual, la protección proporcionada puede verse perjudicada.

1. Descripción general

Los calentadores de bloques Cole-Parmer están diseñados para controlar con precisión la temperatura de los tubos de ensayo y otros recipientes pequeños mediante el calentamiento de bloques de aluminio con orificios del tamaño adecuado para los recipientes que se utilicen. Existe una gran variedad de bloques con orificios diferentes para distintos tamaños y tipos de recipientes (véase la sección 7)

Los bloques se introducen en la cavidad superior del equipo (véase la figura 1) y se calientan desde abajo. Todos los bloques son intercambiables y pueden utilizarse al mismo tiempo varios bloques para distintas medidas de recipientes.

La alta inercia térmica de los bloques de aluminio permite un control exacto y estable de la temperatura.

Asimismo, existen unas cubiertas de seguridad fabricadas en Perspex (metilmetacrilato) que pueden utilizarse para proteger el equipo de posibles derrames de los tubos. Además, estas cubiertas ayudan a mejorar la uniformidad de la temperatura en los bloques protegiéndolos de las corrientes de aire.

2. Preparación para la utilización (todos los modelos)

1. Siga las instrucciones para la instalación eléctrica contenidas en la sección 8 de este manual y conecte el equipo a la red eléctrica. **NO ENCIENDA EL EQUIPO.**
2. Elija el bloque de aluminio con los orificios adecuados para los recipientes que se vayan a calentar.
3. Coloque los bloques de aluminio con cuidado en la cavidad superior del equipo (véase la figura 1).

Nota. La placa situada en la base de la cavidad y la base de los bloques de aluminio deben estar completamente limpias para garantizar un buen contacto térmico. Si contienen materias extrañas, en especial partículas, el buen rendimiento del equipo puede verse afectado.

4. Coloque los recipientes que vayan a calentarse en los orificios de los bloques de aluminio.
5. Si es necesario, ajuste la cubierta de seguridad. Ésta puede estar simplemente apoyada en la parte superior del calentador o ajustada con los tornillos que incluye. Los tornillos deben ir colocados en los orificios situados en la parte trasera del equipo (véase la figura 1).
6. Ahora ya se puede encender el aparato y establecer la temperatura deseada.

3. Cómo establecer la temperatura

3.1 Modelos digitales BH-200D-2, BH-200D-2-HT, BH-200D-3, BH-200D-3-HT, BH-200DC-2 y BH-200D-2-HTC

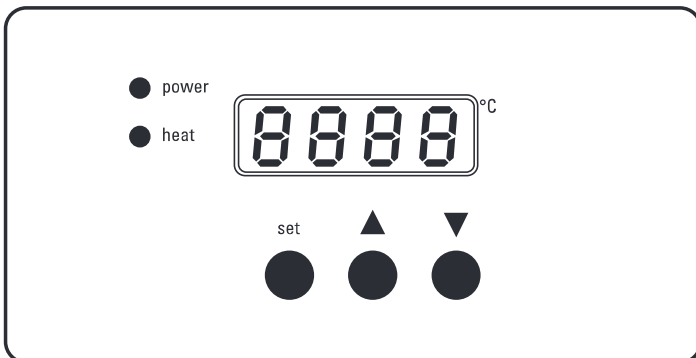


Figura 3 - panel de control digital

1. Encienda el equipo accionando el interruptor situado en la parte trasera (véase la figura 2).
2. La luz "power" y la pantalla digital se encenderán (véase la figura 3).
3. La pantalla digital mostrará la temperatura exacta de los bloques de aluminio. Si la temperatura fijada en el equipo en ese momento es superior a la temperatura de los bloques, el equipo empezará a calentar los bloques y se encenderá la luz "heat" del panel de control. Puede visualizarse la temperatura establecida en cualquier momento manteniendo pulsado el botón "set" (véase la figura 3)
4. Para ajustar la temperatura, en primer lugar mantenga pulsado el botón "set" para ver la temperatura actual.
5. Puede aumentar esta temperatura pulsando el botón ▲ o disminuirla pulsando el botón ▼ mientras mantiene pulsado el botón "set".
6. Pulsando cada uno de estos botones una vez se modifica la temperatura en intervalos de 0,1°C. Si los mantiene pulsados, la temperatura subirá o bajará rápidamente hasta alcanzar el valor deseado.
7. Cuando se alcance la temperatura deseada, suelte el botón "set" y la pantalla digital mostrará la nueva temperatura.
8. Una vez hecho esto, el equipo comenzará a calentar los bloques de aluminio hasta alcanzar la temperatura indicada.
9. La luz "heat" del panel de control

permanecerá encendida durante todo el proceso de calentamiento, y parpadeará cuando se aproxime a la temperatura establecida.

10. Una vez alcanzada la temperatura deseada, el equipo mantendrá los bloques a esa temperatura hasta que se modifique o hasta que desconecte el equipo.
11. Durante el proceso, podrá retirar recipientes de los bloques o añadirlos en cualquier momento.

Nota. Debe tener cuidado a la hora de colocar recipientes de cristal en bloques precalentados. El choque térmico puede hacer que el recipiente se rompa.

12. Después de utilizar el equipo, se debe desconectar el interruptor de la parte trasera y dejar enfriar el equipo. Asimismo, debe desconectarse de la red eléctrica. Cuando vuelva a utilizar el equipo, conservará la temperatura establecida en el uso anterior.

3.2 Modelo digital BH-200DC-2 & BH-200D-2-HTC

El modelo BH-200DC-2 & BH-200D-2-HTC incorpora 2 bloques de aluminio con controles de temperatura independientes con el fin de que cada bloque pueda calentarse a una temperatura distinta. La distribución y funcionamiento de los controles para cada uno de los bloques es exactamente igual a los descritos anteriormente. En caso de utilizar el equipo con un sólo bloque en su interior, la parte que no contenga bloque deberá mantenerse a una temperatura de 30°C.

3.2 Modelo analógico BH-200-2

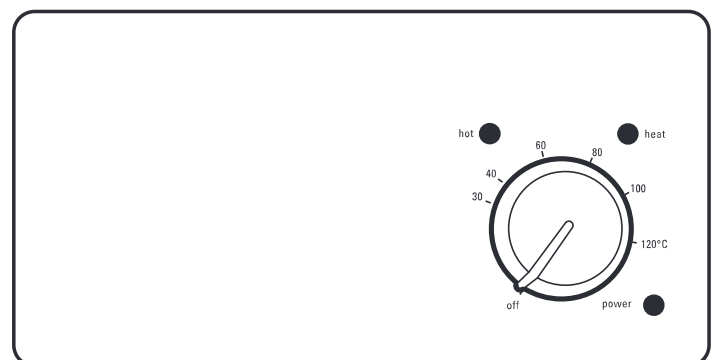


Figura 4 - panel de control analógico

1. Encienda el equipo accionando el interruptor situado en la parte trasera (véase la figura 2).
2. La luz "power" se encenderá (véase la figura 4)
3. Deberá fijar la temperatura deseada mediante la rueda "heat" situada en la parte derecha del panel de control (véase la figura 4). Si gira la rueda hasta la posición "off", apagará el equipo. Asimismo, la escala que rodea la rueda le servirá como guía para fijar la temperatura deseada.
4. Una vez hecho esto, el equipo comenzará a calentar los bloques de aluminio hasta alcanzar la temperatura establecida y la luz "heat" del panel de control se encenderá.
5. Si la temperatura de los bloques supera los 50 °C, la luz roja "hot" comenzará a parpadear para avisarle de que los bloques están demasiado calientes para tocarlos (véase la figura 4). La luz seguirá parpadeando incluso si apague el aparato usando la rueda del panel de control, siempre que el equipo permanezca conectado a la red eléctrica y el interruptor de la parte trasera esté en la posición "on".
6. Una vez alcanzada la temperatura deseada, el equipo mantendrá los bloques a esa temperatura hasta que se modifique o hasta que se desconecte el equipo.
7. Durante el proceso, podrá retirar recipientes de los bloques o añadirlos en cualquier momento.

Nota. Debe tener cuidado a la hora de colocar recipientes de cristal en bloques precalentados. El choque térmico puede hacer que el recipiente se rompa.

8. Si necesita establecer la temperatura exacta, puede medirla colocando un termómetro en el pequeño orificio situado en la parte superior del bloque de aluminio. Una vez medida la temperatura, deberá ajustar la rueda de control para aumentar o disminuir la temperatura según convenga. Si va a utilizar regularmente la misma temperatura, se puede dejar la rueda en su posición y utilizar el interruptor de la parte trasera para encender y apagar el equipo. Tenga en cuenta que si apaga el equipo usando el interruptor, la luz de advertencia "hot" dejará de parpadear.

9. Después de utilizar el equipo, debe desconectarse el interruptor de la parte trasera y dejarlo enfriar. Debe desconectarse también de la red eléctrica.

4. Calibración (sólo para modelos digitales)

Estos equipos se calibran durante su fabricación usando bloques diseñados para contener tubos de ensayo de 16 mm. La diferencia en la cantidad de aluminio que contengan los bloques diseñados para recipientes de otros tamaños puede ocasionar pequeñas discrepancias entre la temperatura mostrada y la temperatura real de los bloques.

Si va a usar el calentador con otro tipo de bloques y precisa una temperatura exacta, deberá calibrar de nuevo el equipo conforme a los bloques que vayan a utilizarse.

Para que este proceso de buen resultado, se necesitará usar un termómetro perfectamente calibrado. La precisión del calentador dependerá de lo preciso que sea el termómetro que use para calibrarlo.

Siga los pasos que se describen a continuación.

1. Empiece con recipientes que estén fríos.
2. Empuje con firmeza los bloques hacia la parte derecha de la cavidad superior sin dejar espacio entre ellos. El bloque situado más a la derecha servirá como bloque de calibración.
3. Encienda el equipo y establezca la temperatura en 30°C tal y como se describe en la sección 3.1.
4. Pulse los tres botones al mismo tiempo y manténgalos pulsados durante 5 segundos hasta que la luz ámbar "heat" deje de parpadear y se quede fija.
5. En este momento empieza el proceso de calibración y el equipo iniciará el calentamiento.
6. Transcurridos aproximadamente 30 minutos, el equipo se habrá estabilizado a una temperatura aproximada de 40°C y la pantalla digital dejará de mostrar la temperatura para pasar a mostrar (EEEE).

7. Mida de modo preciso la temperatura del bloque de la derecha a través del orificio para el termómetro.
8. Pulse el botón "set" y suéltelo.
9. Mantenga ahora pulsado el botón "set" y al mismo tiempo pulse o el botón para subir o el botón para bajar para ajustar la temperatura de modo que sea igual que la obtenida con el termómetro.
10. Pulse los botones para subir y bajar a la vez para confirmar el valor. La luz "heat" dejará de parpadear y se mantendrá encendida.
11. El equipo continuará con la autocalibración y alcanzará una temperatura de unos 5°C por debajo de la temperatura máxima, esto es, de 125°C o 195°C, según el modelo.
12. Transcurridos aproximadamente 30 minutos, el equipo se habrá estabilizado y la pantalla digital dejará de mostrar la temperatura para pasar a mostrar (EEEE).
13. Mida de modo preciso la temperatura del bloque de la derecha a través del orificio para el termómetro.
14. Pulse el botón "set" y suéltelo.
15. Mantenga ahora pulsado el botón "set" y al mismo tiempo pulse o el botón para subir o el botón para bajar para ajustar la temperatura de modo que sea igual que la obtenida con el termómetro.
16. Pulse los botones para subir y bajar a la vez para confirmar el valor.
17. En este momento, el equipo empezará a funcionar según los nuevos parámetros de calibración.
18. Deje un margen de 30 minutos para que se estabilice la temperatura.
19. Compruebe que tanto la temperatura mostrada en pantalla como la temperatura obtenida con el termómetro están entre 124°C y 126°C o entre 194°C y 196°C, según del modelo.
20. Pulse el botón "set" para confirmar la nueva calibración. La temperatura volverá a 30°C.
21. Establezca la temperatura máxima (130°C o 200°C) y espere unos minutos para confirmar que el equipo alcanza realmente esa temperatura.

22. El proceso de calibración se ha completado y ya se puede utilizar el equipo con normalidad.

5. Factores que afectan a la calibración y la precisión

Para conseguir la máxima precisión y asegurar una calibración adecuada, deberán tenerse en cuenta los factores siguientes, ya que todos ellos tienen efectos sobre el rendimiento del equipo.

1. La base de los bloques y la superficie de la cavidad superior deben estar bien limpias para garantizar un buen contacto.
2. Los bloques deben colocarse con firmeza juntos y hacia la parte derecha de la cavidad.
3. La radiación térmica que desprenden los bloques puede verse afectada por las características de la superficie y puede afectar a la precisión. La superficie superior debe mantenerse limpia y reluciente.
4. Si el equipo está situado en una zona de fuertes corrientes, como por ejemplo en el interior de una campana extractora, se puede producir una variación de temperatura en los bloques. En este caso, sería recomendable usar las cubiertas de seguridad para proteger los bloques de las corrientes de aire.
5. Durante el proceso de calibración, la sonda de temperatura utilizada debe ajustarse bien al orificio situado en el bloque.

6. Extracción de los bloques de aluminio

Nota. No intente extraer los bloques hasta que el equipo esté apagado y se haya enfriado.

Con el equipo se incluye una herramienta especial para extraer los bloques.

Debe enroscar la herramienta en el orificio para el termómetro y, a continuación, utilizarla para levantar el bloque. Para la extracción de bloques que contengan tubos largos se incluye una pieza de extensión.

El equipo dispone de una ranura a cada uno lado para almacenar los bloques (véase la figura 1).

7. Bloques de aluminio y accesorios

A continuación se incluye una lista de los tipos de bloques de aluminio disponibles. Todos ellos están fabricados con aluminio anodizado y tienen un orificio extra para colocar un termómetro si se desea.

Todos los bloques tienen unas dimensiones de 75 x 95 x 50 mm (anc x pr x alt) y pueden usarse en cualquier combinación.

N.º de cat.	Tamaño de los tubos (diámetro /tipo)	Nº de orificios	Dimensione in mm (diámetro x profundidad)
SHT1/0	Bloque simple	-	-
SHT1/10	10 mm	20	10,5 x 47
SHT1/12	12 mm	20	12,5 x 47
SHT1/12/33	12 mm	20	12,5 x 33
SHT1/13	13 mm	20	13,5 x 47
SHT1/16	16 mm	12	16,6 x 47
SHT1/19	19 mm	8	19,5 x 47
SHT1/20	Tubos de 2 ml	20	10,5 x 33
SHT1/21	Bloque con canales extraíbles para cubetas de cristal y desechables.		
SHT1/22	Tubos de 1,5 ml	20	10,7 x 14
SHT1/25	25 mm	6	25,5 x 47
SHT1/28	28 mm	6	28,0 x 47
SHT1/30	Tubos de 0,5 ml	30	7,8 9° de inclinación
SHT1/30/1	30 mm	4	30,1 x 47
SHT1/33	33 mm	4	33,2 x 47
SHT1/48	Tubos de 0,2 ml	48	6,1 9° de inclinación
SHT1/80	Tubos en tiras de 0,2 ml	10 x 8	-
SHT1/96	Gradilla para 96 tubos	-	7,5 9° de inclinación
SHT1/384	Gradilla para 384 tubos	-	3,6 9° de inclinación

Puede conseguir los siguientes accesorios en Antylia Scientific o cualquiera de sus agentes.

N.º de cat.	Descripción
SBH/2	Cubierta de seguridad para modelos de 2 bloques.
SBH/3	Cubierta de seguridad para modelos de 3 bloques y control dual.
SBH/4	Herramienta para la extracción de bloques.

8. Instalación eléctrica



ESTE EQUIPO DEBE IR CONECTADO A TIERRA



Antes de conectar el equipo, lea detenidamente estas instrucciones y asegúrese de que el suministro eléctrico corresponde con el que se muestra en la siguiente lista de clasificación.

El consumo de energía es el siguiente:

Modelo	Energía	Frecuencia	Fusibles
BH-200-2	300 W	50/60 Hz	F3.15 AL
BH-200D-2	300 W	50/60 Hz	F3.15 AL
BH-200D-2-HT	300 W	50/60 Hz	F3.15 AL
BH-200D-3	450 W	50/60 Hz	F3.15 AL
BH-200D-3-HT	450 W	50/60 Hz	F3.15 AL
BH-200DC-2	300 W	50/60 Hz	F3.15 AL
BH-200D-2-HTC	300 W	50/60 Hz	F3.15 AL

Los equipos disponen de una toma de corriente adaptada a las normas IEC (Comisión Electrotécnica Internacional) en la parte trasera del equipo para la conexión a la red eléctrica. La toma de corriente IEC incorpora un receptáculo extraíble que contiene los fusibles y un interruptor de encendido/apagado (véase la figura 2).

Precaución: las líneas activa y neutral contienen fusibles.

Estos equipos incorporan dos cables de alimentación con tomas de corriente IEC para la conexión del aparato a la red. Uno de los cables está equipado con un enchufe de tres clavijas y el otro dispone de un enchufe de dos clavijas tipo "Schuko". Elija el tipo de cable apropiado para su instalación eléctrica y deseche el otro.

En caso de que ninguno de los dos cables se ajuste a su instalación, elija el cable de tres clavijas y cambie el enchufe por uno que se ajuste a sus necesidades. Este proceso requiere cortar el enchufe original, preparar el cable y conectar el nuevo enchufe siguiendo sus instrucciones.

ESTA OPERACIÓN SÓLO DEBE LLEVARLA A CABO UN ELECTRICISTA CUALIFICADO

NOTA: consulte la lista de clasificación de este manual para asegurarse de que el enchufe y los fusibles son aptos para el voltaje y la potencia especificados.

Los hilos del cable se diferencian por colores de la siguiente manera:

LÍNEA ACTIVA - MARRÓN

LÍNEA NEUTRAL - AZUL

LÍNEA DE TIERRA - VERDE/AMARILLO

ANTES de conectar el cable a la red eléctrica, éste debe estar conectado al equipo.

Si se necesita sustituir el cable, debe utilizarse un cable de 1mm² con código armonizado H05W-F conectado a un enchufe IEC320.

Nota. El cable de tres clavijas está protegido por un fusible de 10 A montado en la parte superior del enchufe.

EN CASO DE DUDA, CONSULTE A UN ELECTRICISTA CUALIFICADO

9. Consejos de seguridad

Este equipo está diseñado para utilizarlo en las siguientes condiciones:

- ❖ Para uso exclusivo en interior
- ❖ En una zona con buena ventilación
- ❖ A una temperatura ambiente de entre +5°C y 40°C
- ❖ A una altitud inferior a 2.000 m
- ❖ Con una humedad relativa que no supere el 80%
- ❖ Con una oscilación del suministro eléctrico que no supere el 10%.
- ❖ Con una categoría II IEC60364-4-443 de sobrevoltaje
- ❖ Con un grado 2 de contaminación.
- ❖ Separado de paredes u otros objetos a una distancia mínima de 200 mm.

El equipo debe transportarse con las dos manos.

Nunca mueva ni transporte el equipo si éste se encuentra en funcionamiento o conectado a la red eléctrica.

No encienda el equipo ni inicie el proceso de calentamiento hasta que haya introducido correctamente en la cavidad superior el número de bloques de aluminio que precise.

Los bloques de aluminio pueden estar CALIENTES. Nunca mueva ni transporte el equipo

hasta que lo haya desconectado de la red eléctrica y lo haya dejado enfriar.

No extraiga NUNCA los bloques del equipo hasta que lo haya desconectado de la red eléctrica y lo haya dejado enfriar.

Extraiga los bloques usando únicamente la herramienta especialmente diseñada para ello que se incluye con el equipo (véase la figura 1)

En caso de que se derrame líquido en los bloques, deberá desconectar el equipo inmediatamente y dejarlo enfriar. Antes de volver a usar el equipo, deberá limpiar y secar los bloques y la cavidad superior del equipo.

Asegúrese de que toma las medidas de seguridad necesarias en función del líquido derramado.

Si se produce un derrame dentro del equipo, un electricista cualificado deberá revisar el equipo antes de volver a usarlo.

Si se produce un corte del suministro eléctrico o una avería eléctrica, el equipo seguirá funcionando una vez restablecida la corriente o resuelta la avería.

DOMINIQUE DUTSCHER SAS

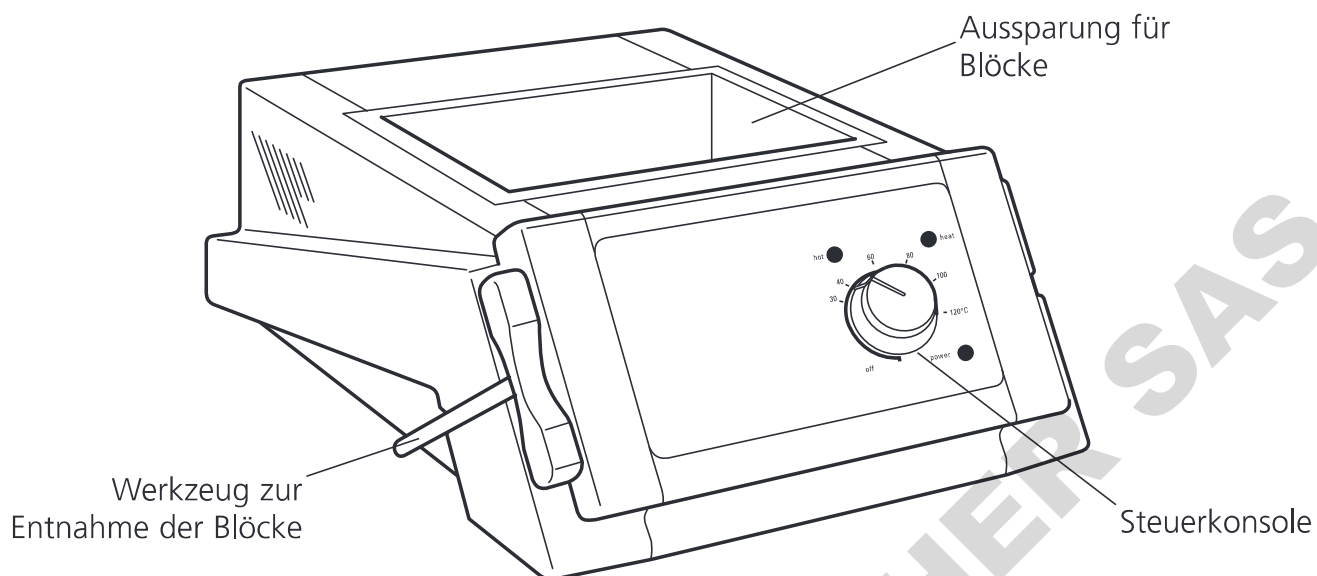


Abbildung 1: Vorderansicht

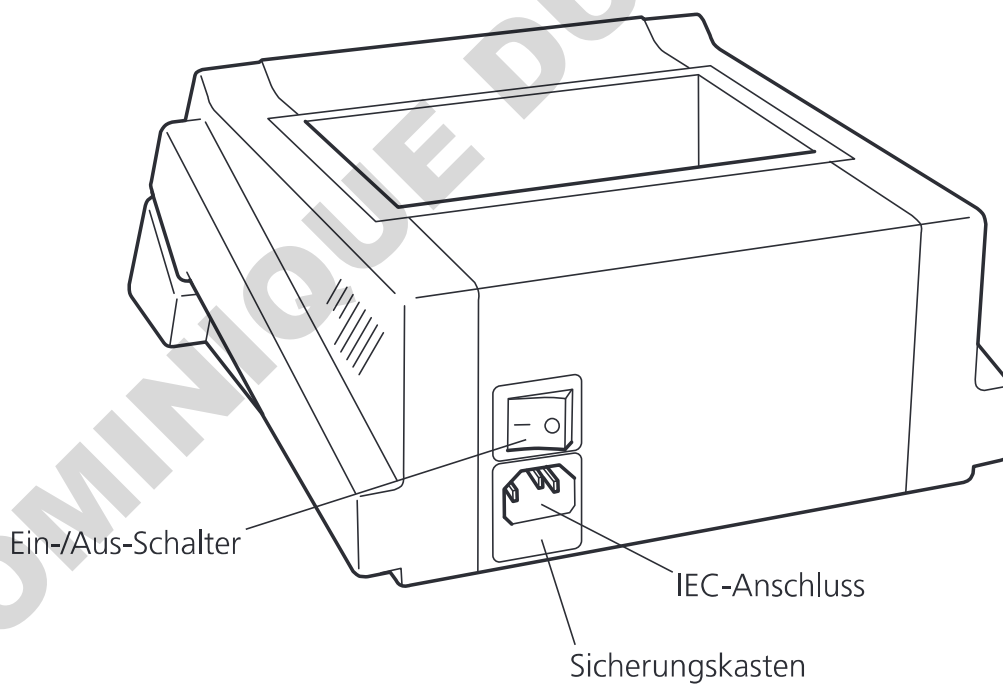


Abbildung 2: Hinteransicht

Vielen Dank für Ihre Entscheidung zum Kauf dieses Gerätes von Cole-Parmer. Um die optimale Leistung des Geräts zu gewährleisten, lesen Sie diese Anleitung vor dem Gebrauch bitte sorgfältig durch.

BLOCKHEIZGERÄTE

BH-200-2, BH-200D-2, BH-200D-2-HT,
BH-200D-3, BH-200D-3-HT, BH-200DC-2 und
BH-200D-2-HTC.



Mit Blick auf Ihre eigene Sicherheit und die Sicherheit anderer Benutzer lesen Sie die Sicherheitshinweise in Abschnitt 9 vor dem Gebrauch dieses Geräts durch und vergewissern Sie sich, dass Sie die Hinweise verstanden haben.

Die eingebauten Sicherheitsvorkehrungen des Geräts könnten beeinträchtigt werden, falls das Gerät auf eine Weise benutzt wird, die der Beschreibung in diesem Handbuch widerspricht.

1. Allgemeine Beschreibung

Cole-Parmer Blockheizgeräte sind dafür ausgelegt, die Temperatur von Teströhrchen und anderen kleinen Behältern exakt zu regulieren. Zu diesem Zweck werden aufgeheizte Aluminiumblöcke verwendet, die mit Löchern in der Größe der verwendeten Behälter versehen sind. Es steht eine große Vielzahl von Blöcken mit Löchern für unterschiedliche Größen und Arten von Behältern zur Verfügung, die in Abschnitt 7 beschrieben werden.

Die Blöcke passen in die Aussparung oben auf dem Instrument (siehe Abbildung 1) und werden von unten beheizt. Alle Blöcke sind vollständig austauschbar und kompatibel und Blöcke für unterschiedliche Behältergrößen können in einem Blockheizgerät zur selben Zeit verwendet werden.

Die große thermische Masse der Aluminiumblöcke gestattet eine sehr genaue und stabile Temperaturregulierung.

Perspex-Sicherheitsabdeckungen sind als Zubehör erhältlich und dienen zu Ihrem Schutz im Fall, dass Flüssigkeit aus den Röhrchen verspritzt wird. Diese Abdeckungen vermeiden einen Luftzug im Gerät und helfen dadurch ebenfalls, eine einheitliche Temperaturverteilung in den Blöcken zu erzielen.

2. Vorbereitungen zur Benutzung des Geräts - alle Modelle

1. Befolgen Sie die Anweisungen zur elektrischen Installation im Abschnitt 8 dieses Handbuchs und schließen Sie das Instrument an die Stromversorgung an - **SCHALTEN SIE DAS GERÄT NOCH NICHT EIN.**
2. Wählen Sie diejenigen Aluminiumblöcke aus, deren Löcher zu den aufzuheizenden Behältern passen.
3. Platzieren Sie die entsprechende Anzahl von Aluminiumblöcken vorsichtig in der Aussparung oben auf dem Instrument - siehe Abbildung 1.

N.B. Die Platte am Boden der Aussparung sowie die Grundplatten der Aluminiumblöcke müssen absolut sauber gehalten werden, um einen guten thermischen Kontakt zu gewährleisten. Falls Fremdkörper, insbesondere feste Teilchen, auf diesen Flächen vorhanden sind, verliert das Gerät einen Teil seiner Heizleistung.

4. Platzieren Sie die aufzuheizenden Behälter in den Löchern der Aluminiumblöcke.
5. Bringen Sie bei Bedarf die Sicherheitsabdeckung an. Diese kann einfach auf dem Oberteil des Blockheizgeräts abgelegt oder mithilfe der beiliegenden Schrauben angeschraubt werden. Befestigen Sie die Schrauben in den Löchern hinten oben auf dem Blockheizgerät (siehe Abbildung 1).
6. Das Instrument kann jetzt eingeschaltet und die gewünschte Temperatur eingestellt werden.

3. Temperatureinstellung

3.1 Digitale Modelle BH-200D-2, BH-200D-2-HT, BH-200D-3, BH-200D-3-HT, BH-200DC-2 und BH-200D-2-HTC

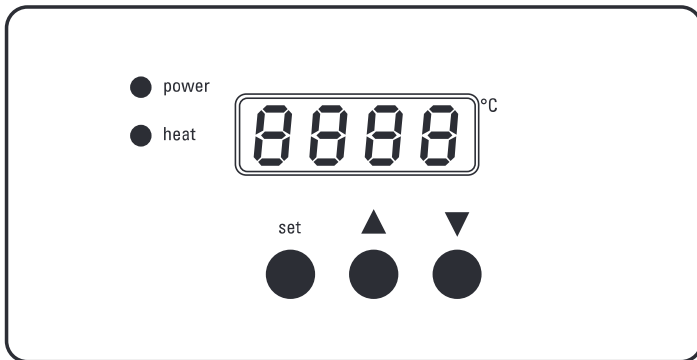


Abbildung 3 - digitale Steuerungen

1. Schalten Sie das Gerät an dem Schalter auf der Rückseite des Instruments ein - siehe Abbildung 2.
2. Daraufhin leuchtet die Lampe "Power" auf und die digitale Anzeige erscheint - siehe Abbildung 3.
3. Die digitale Anzeige stellt die aktuelle Temperatur der Aluminiumblöcke dar. Falls die gegenwärtig eingestellte Temperatur des Instruments über diesem Wert liegt, beginnt das Gerät mit dem Aufheizen der Blöcke und die Lampe "Heat" auf der Steuerkonsole leuchtet auf. Die gegenwärtig eingestellte Temperatur kann jederzeit abgerufen werden, indem Sie auf den Knopf "set" drücken und ihn gedrückt halten - siehe Abbildung 3.
4. Um die eingestellte Temperatur zu ändern, drücken Sie auf den Knopf "set" und halten Sie den Knopf gedrückt, um die gegenwärtige Einstellung anzuzeigen.
5. Sie können diese Einstellung erhöhen, indem Sie auf den Knopf mit der Aufschrift ▲ drücken, oder verringern, indem Sie auf den Knopf ▼ drücken. Halten Sie dabei den Knopf "set" gedrückt - siehe Abbildung 3.
6. Wenn Sie einmal auf diese Knöpfe drücken, wird die Einstellung in Schritten von 0,1°C erhöht oder verringert. Drücken und Halten des Knopfes führt dazu, dass die Anzeige schnell rauf oder runter läuft, bis der gewünschte Wert erreicht worden ist.

7. Wenn die gewünschte Temperatur angezeigt worden ist, lassen Sie den Knopf "set" los, um die Anzeige auf die Darstellung der aktuellen Temperatur umzuschalten.
8. Das Instrument beginnt jetzt damit, die Aluminiumblöcke auf diese Temperatur aufzuheizen.
9. Die Lampe mit der Aufschrift "Heat" auf der Steuerkonsole leuchtet während der Aufheizphase kontinuierlich auf, beginnt jedoch zu blinken, sobald die gewünschte Temperatur erreicht wird.
10. Sobald die eingestellte Temperatur erreicht worden ist, behält das Instrument die Temperatur der Blöcke bei, bis die Einstellung geändert oder das Instrument abgeschaltet wird.
11. Die Behälter können während des Heizbetriebs jederzeit entnommen oder neue Behälter hinzugefügt werden.

N.B. Wenn Sie kalte Glasgefäße in die vorgeheizten Blöcke stellen, müssen Sie Vorsicht walten lassen, da die Behälter aufgrund des Hitzeschocks zerbrechen könnten.

12. Schalten Sie das Instrument nach dem Gebrauch am Schalter auf der Rückseite ab und lassen Sie es abkühlen. Anschließend sollte das Instrument von der Stromversorgung getrennt werden. Bitte beachten Sie, dass das Instrument beim nächsten Gebrauch mit seiner zuletzt eingestellten Temperatur arbeiten wird.

3.2 Digitales Modell BH-200DC-2 & BH-200D-2-HTC

Das Modell BH-200DC-2 & BH-200D-2-HTC enthält 2 Aluminiumblöcke mit unabhängigen Temperatursteuerungen, so dass jeder Block auf eine eigene Temperatur eingestellt werden kann. Die Auslegung und der Betrieb der Steuerungen jedes Blocks entsprechen exakt der obigen Beschreibung.

Falls dieses Modell mit nur einem eingesetzten Block betrieben wird, sollte die Seite, die keinen Block enthält, auf eine Temperatur von 30°C eingestellt werden.

3.3 Analoges Modell BH-200-2

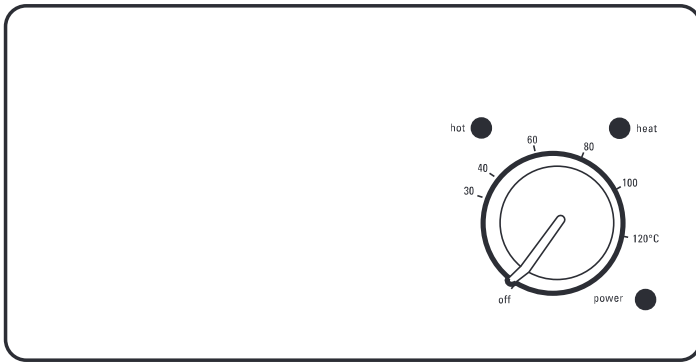


Abbildung 4 - Analoge Steuerungen

1. Schalten Sie das Gerät am Schalter auf der Rückseite des Instruments ein - siehe Abbildung 2.
2. Die Lampe "Power" leuchtet auf - siehe Abbildung 4.
3. Die gewünschte Temperatur kann mithilfe des Steuerknopfes mit der Aufschrift "Heat" an der rechten Seite der Steuerkonsole eingestellt werden - siehe Abbildung 4. Das Heizgerät wird ausgeschaltet, wenn der Knopf auf die Stellung "Off" gestellt wird. In eingeschalteter Position stellt die Skala um den Knopf herum die eingestellte Temperatur dar.
4. Jetzt beginnt das Instrument damit, die Aluminiumblöcke auf die eingestellte Temperatur aufzuheizen, und die Lampe "Heat" auf der Steuerkonsole leuchtet auf - siehe Abbildung 4.
5. Falls die Temperatur der Blöcke 50°C überschreitet, beginnt die rote Lampe "Hot" zu blinken. Dies dient zur Warnung an den Benutzer, dass die Blöcke zu heiß sind, um berührt werden zu können - siehe Abbildung 4. Dieser Zustand hält selbst dann an, wenn das Gerät mithilfe des Knopfes auf der Steuerkonsole ausgeschaltet worden ist. (Allerdings muss das Instrument dazu weiterhin an die Stromversorgung angeschlossen und am des Schalters auf der Rückseite eingeschaltet sein.)
6. Sobald die eingestellte Temperatur erreicht worden ist, hält das Instrument die Blöcke auf dieser Temperatur, bis die Einstellung geändert oder das Instrument abgeschaltet worden ist.

7. Die Behälter können während des Heizbetriebs jederzeit entnommen oder neue Behälter hinzugefügt werden.

N.B. Wenn Sie kalte Glasgefäße in die vorgeheizten Blöcke stellen, müssen Sie Vorsicht walten lassen, da die Behälter aufgrund des Hitzeschocks zerbrechen könnten.

8. Falls die Temperatur exakt eingestellt werden muss, kann sie mithilfe eines Thermometers gemessen werden, das in dem kleinen Loch oben auf dem Block platziert wird. Die Stellung des Steuerknopfes muss dann angepasst werden, um die Temperatur nach Bedarf zu erhöhen oder zu verringern. Falls diese Einstellung regelmäßig wiederholt werden muss, kann der Steuerknopf auch in seiner Stellung stehen gelassen und der Schalter auf der Rückseite des Instruments zum Ein- und Ausschalten des Geräts verwendet werden. Bitte beachten Sie, dass das Ausschalten des Geräts auf der Rückseite dazu führt, dass die Warnlampe für die hohe Blocktemperatur aufhört zu blinken.
9. Nach dem Gebrauch sollte das Instrument auf seiner Rückseite ausgeschaltet werden, damit es abkühlen kann. Anschließend sollte es von der Stromversorgung getrennt werden.

4. Kalibrierung - nur für digitale Modelle

Diese Geräte werden während der Herstellung mithilfe von Blöcken kalibriert, die für 16mm-Röhrchen ausgelegt sind. Die unterschiedliche Aluminiummasse der Blöcke für andere Behältergrößen oder -arten kann zu kleinen Abweichungen zwischen der dargestellten Temperatur und der tatsächlichen Temperatur der Blöcke führen.

Falls das Blockheizgerät mit anderen Blöcken verwendet wird und eine äußerst genaue Temperatureinstellung benötigt wird, sollte das Gerät für die zu verwendenden Blöcke kalibriert werden.

Für dieses Verfahren benötigen Sie ein genau kalibriertes Thermometer, um eine sinnvolle Kalibrierung zu gewährleisten.

Das Blockheizgerät kann nur so exakt arbeiten wie das Thermometer, welches zu seiner Kalibrierung verwendet wurde.

Bitte befolgen Sie das im Folgenden aufgeführte Verfahren.

1. Beginnen Sie mit kalten Geräten und Instrumenten.
2. Die Blöcke sollten ganz nach rechts in die Aussparung eingesetzt werden, so dass kein Luftspalt zwischen den Blöcken entsteht. Der rechte Block dient als Kalibrierungsblock.
3. Schalten Sie das Gerät ein und stellen Sie die Temperaturanzeige auf 30°C. Richten Sie sich nach dem in Abschnitt 3.1 beschriebenen Verfahren.
4. Drücken Sie alle drei Knöpfe gleichzeitig und halten Sie sie 5 Sekunden lang gedrückt, bis die bernsteinfarbene Lampe "Heat" aufhört zu blinken und dauerhaft leuchtet.
5. Danach beginnt die Selbstkalibrierung und das Gerät beginnt mit dem Aufheizen.
6. Nach ca. 30 Minuten hat das Gerät sich bei einer Temperatur von ca. 40°C stabilisiert und die Anzeige wechselt von der dargestellten Temperatur auf die Anzeige (EEEE).
7. Messen Sie die exakte Blocktemperatur im Thermometerloch des rechten Blocks.
8. Drücken Sie auf den Einstellknopf (Set) und lassen Sie ihn wieder los.
9. Drücken Sie noch einmal auf den Einstellknopf und halten Sie ihn gedrückt und verwenden Sie die Knöpfe hoch oder runter, um die angezeigte Temperatur auf die aktuell gemessene Temperatur anzupassen.
10. Drücken Sie die Knöpfe hoch und runter zusammen, um den Wert zu bestätigen. Die bernsteinfarbene Lampe "Heat" hört auf zu blinken und leuchtet dauerhaft auf.
11. Die Selbstkalibrierung wird jetzt fortgesetzt und das Gerät heizt bis auf ca. 5°C unter den Maximalwert auf, d.h. entweder 125°C oder 195°C abhängig vom Modell.
12. Nach ca. 30 Minuten hat das Gerät sich stabilisiert und die Anzeige wechselt von der dargestellten Temperatur auf die Anzeige (EEEE).
13. Messen Sie die exakte Blocktemperatur im Thermometerloch des rechten Blocks.
14. Drücken Sie auf den Einstellknopf und lassen Sie ihn wieder los.
15. Drücken Sie noch einmal auf den Einstellknopf und halten Sie ihn gedrückt und verwenden Sie die Knöpfe hoch oder runter, um die angezeigte Temperatur auf die aktuell gemessene Temperatur anzupassen.
16. Drücken Sie die Knöpfe hoch und runter zusammen, um den Wert zu bestätigen.
17. Das Gerät beginnt jetzt damit, mit den neuen Kalibrierungsparametern zu regulieren.
18. Warten Sie 30 Minuten, bis die Temperatur sich stabilisiert hat.
19. Prüfen Sie, dass sowohl die Anzeigetemperatur als auch die Thermometertemperatur zwischen 124°C und 126°C oder 194°C und 196°C liegen (abhängig vom Modell).
20. Drücken Sie auf den Einstellknopf und lassen Sie ihn wieder los, um die Kalibrierung zu bestätigen. Die eingestellte Temperatur geht auf den Wert von 30°C zurück.
21. Stellen Sie die eingestellte Temperatur auf den Maximalwert zurück (130 oder 200°C) und warten Sie ein paar Minuten, um zu prüfen, dass das Gerät diese Temperatur tatsächlich erreicht.
22. Die Kalibrierung ist damit abgeschlossen und das Gerät kann wieder normal eingesetzt werden.

5. Faktoren, die die Kalibrierung und Genauigkeit beeinflussen

Um mit dem Gerät die maximale Genauigkeit sowie eine exakte Kalibrierung zu erzielen, sollten die folgenden Faktoren berücksichtigt werden, welche die Leistung des Geräts beeinflussen.

1. Die Grundplatten der Blöcke und die beheizten Oberflächen müssen absolut sauber gehalten werden, um einen guten Kontakt zu gewährleisten.
2. Die Blöcke sollten fest gegeneinander an die rechte Seite der Aussparung gedrückt werden.
3. Die thermische Strahlung von den Blöcken kann durch die Oberflächenbeschaffenheit beeinflusst werden und die Genauigkeit beeinträchtigen. Die nach oben weisende Oberfläche sollte sauber und glänzend gehalten werden.
4. Falls das Gerät in einem Bereich mit starkem Luftzug betrieben wird, wie beispielsweise in einem Rauchabzug, kann ein Temperaturgradient über die Blöcke auftreten. In diesem Fall sollte die Sicherheitsabdeckung verwendet werden, um die Blöcke vor dem Luftzug zu schützen.
5. Während der Kalibrierung sollte die eingesetzte Temperatursonde sauber in das Loch im Block passen.

6. Entnahme der Aluminiumblöcke

N.B. Entfernen Sie die Blöcke erst, nachdem das Instrument ausgeschaltet worden ist und sich abgekühlt hat.

Das Instrument ist mit einem Spezialwerkzeug für die Entnahme der Blöcke versehen.

Dieses Spezialwerkzeug wird in das Thermometerloch oben auf dem Block geschraubt. Anschließend kann der Block aus dem Instrument gehoben werden. Für die Verwendung von langen Röhren steht ein Verlängerungsstück zur Verfügung.

Das Spezialwerkzeug wird in bequem zu erreichenden Kerben auf beiden Seiten des Gerätegehäuses verstaut - siehe Abbildung 1.

7. Aluminiumblöcke und Zubehör

Die folgenden Aluminiumblöcke stehen zur Auswahl. Alle Blöcke sind aus eloxiertem Aluminium hergestellt und verfügen über ein zusätzliches Loch zur Aufnahme eines Thermometers.

Alle Blöcke haben die Abmessungen von 75 x 95 x 50mm (B x T x H) und können beliebig miteinander kombiniert werden.

Cat. No.	Röhrchengröße (Durchmesser/ Typ)	Anzahl von Löchern	Lochgröße, mm (Durchmesser x Tiefe)
SHT1/0	Durchgehender Block	-	-
SHT1/10	10 mm	20	10,5 x 47
SHT1/12	12 mm	20	12,5 x 47
SHT1/12/33	12 mm	20	12,5 x 33
SHT1/13	13 mm	20	13,5 x 47
SHT1/16	16 mm	12	16,6 x 47
SHT1/19	19 mm	8	19,5 x 47
SHT1/20	Tubos de 2 ml	20	10,5 x 33
SHT1/21	Block mit entnehmbaren Kanälen für Glas- und Einwegwannen.		
SHT1/22	1,5ml-Röhrchen	20	10,7 x 14
SHT1/25	25 mm	6	25,5 x 47
SHT1/28	28 mm	6	28,0 x 47
SHT1/30	0,5ml-Röhrchen	30	7,8 9° Konus
SHT1/30/1	30 mm	4	30,1 x 47
SHT1/33	33 mm	4	33,2 x 47
SHT1/48	0,2ml Streifenröhrchen	48	6,1 9° Konus
SHT1/80	0,2ml Streifenröhrchen	10 x 8	-
SHT1/96	96 Brunnenplatte	-	7,5 9° Konus
SHT1/384	384 Brunnenplatte	-	3,6 9° Konus

Das folgende Zubehör ist von Antylia Scientific oder seinen Vertretern erhältlich: -

Cat. No.	Beschreibung
SBH/2	Sicherheitsabdeckung, 2-Block-Modelle
SBH/3	Sicherheitsabdeckung, 3-Block- und Dual Control-Modelle
SBH/4	Werkzeug zur Entnahme von Blöcken

8. Elektrische Installation



DIESES INSTRUMENT MUSS GEERDET WERDEN



Bitte lesen Sie diese Anweisungen vor dem Anschluss des Geräts durch und stellen Sie sicher, dass Sie sie verstanden haben. Die Netzversorgung muss derjenigen Versorgung entsprechen, die auf dem Leistungsschild angegeben ist.

Die Leistungsaufnahme beträgt:

Modell	Leistung	Frequenz	Sicherungen
BH-200-2	300 W	50/60 Hz	F3.15 AL
BH-200D-2	300 W	50/60 Hz	F3.15 AL
BH-200D-2-HT	300 W	50/60 Hz	F3.15 AL
BH-200D-3	450 W	50/60 Hz	F3.15 AL
BH-200D-3-HT	450 W	50/60 Hz	F3.15 AL
BH-200DC-2	300 W	50/60 Hz	F3.15 AL
BH-200D-2-HTC	300 W	50/60 Hz	F3.15 AL

Die Instrumente sind auf ihrer Rückseite mit einer IEC-Steckdose zum Anschluss an die Netzversorgung ausgerüstet. Die IEC-Steckdose enthält einen entnehmbaren Kasten mit den Sicherungen sowie einen Ein-/Aus-Hauptschalter - siehe Abbildung 2.

Vorsicht: Sicherungen befinden sich sowohl in der stromführenden Leitung als auch im Nullleiter.

Die Geräte sind mit je zwei Netzkabeln mit IEC-Steckern zum Anschluss an das Instrument ausgerüstet. Ein Kabel hat einen dreipoligen britischen Stecker und das andere hat einen zweipoligen "Schuko"-Stecker für den Netzanschluss. Wählen Sie das entsprechende Kabel für Ihre Stromversorgung aus und werfen Sie das andere Kabel.

Falls keines der beiden Kabel korrekt sein sollte, nehmen Sie das Kabel mit dem britischen Stecker und ersetzen Sie den Stecker durch eine geeignete Alternative. Zu diesem Zweck muss der verschweißte Stecker abgeschnitten und das Kabel entsprechend vorbereitet und mit dem neuen Stecker verbunden werden. Dabei sind die gültigen Anweisungen zu beachten.

DIESE ÄNDERUNG DARF NUR VON EINEM QUALIFIZIERTEN ELEKTRIKER VORGENOMMEN WERDEN

HINWEIS: Vergewissern Sie sich auf dem Leistungsschild des Geräts, dass der Stecker sowie seine Absicherung für die angegebene Spannung und Leistung geeignet sind.

Die Kabel des Netzanschlusses sind wie folgt farblich markiert:

STROMFÜHREND - BRAUN

NEUTRAL - BLAU

ERDE - GRÜN/GELB

Das entsprechende Netzkabel muss mit dem Instrument verbunden werden, BEVOR dieses an das Netz angeschlossen wird.

Falls das Netzkabel ersetzt werden muss, sollte ein Kabel mit einer Querschnittsfläche von 1mm² mit dem harmonisierten Kode H05W-F an einen IEC320-Stecker angeschlossen werden.

N.B. Das britische Netzkabel ist durch eine 10A-Sicherung abgesichert, die sich oben im Stecker befindet.

FALLS SIE SICH BEZÜGLICH DIESER ELEKTRISCHEN FRAGEN UNSICHER SIND, ZIEHEN SIE EINEN QUALIFIZIERTEN ELEKTRIKER ZU RAT

9. Sicherheitshinweise

Dieses Gerät ist für den Betrieb unter den folgenden Bedingungen ausgelegt: -

- ❖ Nicht zum Gebrauch im Freien zugelassen, nur in Räumen verwenden
- ❖ Die Umgebung des Geräts muss gut durchlüftet sein
- ❖ Die Umgebungstemperatur muss zwischen +5°C und +40°C liegen
- ❖ Einsatz in einer Höhe unterhalb von 2000m
- ❖ Die relative Luftfeuchtigkeit darf 80% nicht überschreiten
- ❖ Die Schwankungen der Netzspannung dürfen nicht größer als 10% sein
- ❖ Überspannungskategorie II IEC60364-4-443
- ❖ Schadstoffgrad 2
- ❖ Der Mindestabstand zwischen dem Gerät und umgebenden Wänden oder Gegenständen muss 200mm betragen

Das Gerät sollte mit beiden Händen getragen werden.

Das Gerät darf niemals während des Gebrauchs bewegt oder getragen werden oder wenn es an die Stromversorgung angeschlossen ist.

Das Instrument darf nur dann eingeschaltet werden und heizen, wenn die angemessene Anzahl von Aluminiumblöcken in der Aussparung auf der Geräteoberseite platziert worden ist.

Die Aluminiumblöcke könnten HEIß sein. Bewegen oder tragen Sie das Gerät erst, nachdem es von der Stromversorgung getrennt worden ist und sich abgekühlt hat.

Die Blöcke dürfen ERST DANN aus dem Instrument entnommen werden, nachdem das Gerät von der Stromversorgung getrennt worden ist und sich abgekühlt hat.

Die Blöcke sollten ausschließlich mit dem speziell konstruierten Werkzeug, das mit dem Instrument geliefert wird, entnommen werden - siehe Abbildung 1.

Falls Flüssigkeit über die Blöcke verschüttet worden ist, muss das Instrument unverzüglich abgeschaltet werden. Lassen Sie das Instrument abkühlen. Die Blöcke und die Aussparung oben auf dem Instrument sollten vor dem erneuten

Gebrauch des Geräts sorgfältig gesäubert und abgetrocknet werden. Vergewissern Sie sich, dass die entsprechenden Sicherheitsmaßnahmen im Hinblick auf die verschüttete Flüssigkeit beachtet werden.

Falls die Blöcke mit einer großen Menge Flüssigkeit verschmutzt wurden oder Flüssigkeit in das Instrument selbst eingedrungen ist, sollte das Gerät vor dem weiteren Gebrauch von einem qualifizierten Elektriker überprüft werden.

Falls die Stromversorgung unterbrochen wird oder eine Störung oder ein elektrischer Fehler auftritt, wird das Gerät nach der Wiederherstellung der Stromversorgung oder der Behebung des Fehlers seinen Betrieb wieder aufnehmen.

Notes

DOMINIQUE DUTSCHER SAS

CE UK CA This product meets the applicable CE Directives and UKCA Legislation for radio frequency interference and may be expected not to interfere with, or be affected by, other equipment with similar qualifications. We cannot be sure that other equipment used in its vicinity will meet these standards and so we cannot guarantee

that interference will not occur in practise. Where there is a possibility that injury, damage or loss might occur if equipment malfunctions due to radio frequency interference, or for general advise before use, contact the manufacturer.

Declaration of Conformity is available to view online at www.coleparmer.com

DOMINIQUE DUTSCHER SAS

EU Representative address

Antylia Scientific GmbH
Futtererstraße 16
97877 Wertheim
Deutschland
Tel: +49 9377 9203-0
Email: sales@coleparmer.de

UK Representative address

Antylia Scientific
9 Orion Court
Ambuscade Road
Colmworth Business Park
St. Neots
PE19 8YX
United Kingdom
Tel: +44 (0) 1480 277339
Email: enquiries@antylia.com

Ordering Information

Order No.	Series	Model	Legacy SKU
36610-01	BH-200	BH-200-2	SBH130
36610-00	BH-200	BH-200-2-120	SBH130/120V/60
36610-11	BH-200	BH-200D-2	SBH130D
36610-10	BH-200	BH-200D-2-120	SBH130D/120V/60
36610-13	BH-200	BH-200D-3	SBH130D/3
36610-12	BH-200	BH-200D-3-120	SBH130D/3/120V
36610-31	BH-200	BH-200DC-2	SBH130DC
36610-30	BH-200	BH-200DC-2-120	SBH130DC/120V60
36610-21	BH-200	BH-200D-2-HT	SBH200D
36610-20	BH-200	BH-200D-2-HT-120	SBH200D/120V/60
36610-23	BH-200	BH-200D-3-HT	SBH200D/3
36610-22	BH-200	BH-200D-3-HT-120	SBH200D3/120V/60
36610-32	BH-200	BH-200DC-2-HT	SBH200DC

Warranty Registration



UK

T: +44 (0) 1480 272279
E: uk.sales@antylia.com
W: coleparmer.co.uk

India

T: +9122 61394444
E: info@coleparmer.in
W: coleparmer.in

Germany

T: +49 (0) 9377 92030
E: de.sales@antylia.com
W: coleparmer.de

China

T: +1 847 549 7600
E: sales@antylia.com
W: coleparmer.com

France

T: +33 (0) 1486 37800
E: fr.sales@antylia.com
W: coleparmer.fr

USA

T: +1 847 549 7600
E: sales@antylia.com
W: coleparmer.com

Italy

T: +39 (0) 284349215
E: it.sales@antylia.com
W: coleparmer.it

Canada

T: +514 355 6100
E: info@antylia.ca
W: coleparmer.ca

Other

T: +1 847 549 7600

Cole-Parmer®
essentials

Antylia Scientific Ltd.
Beacon Road,
Stone,
Staffordshire,
ST15 0SA,
United Kingdom

