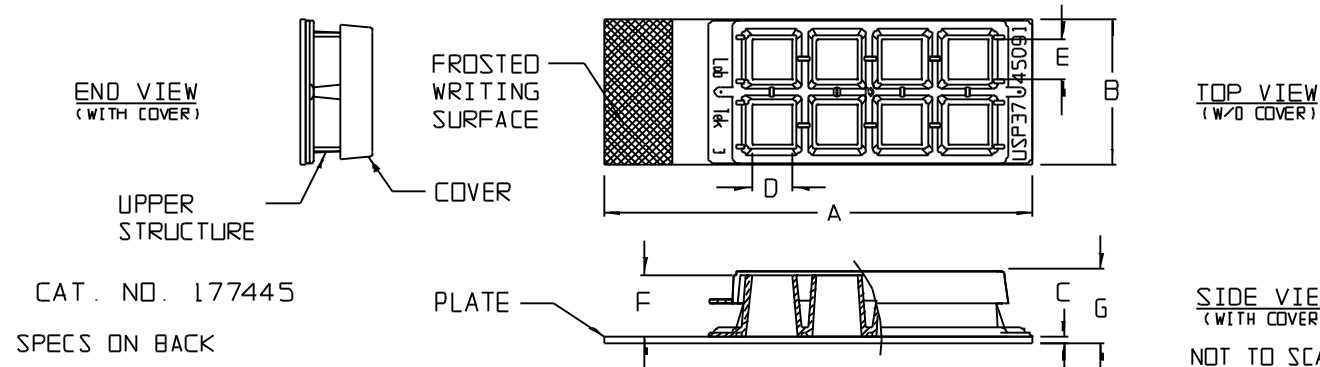
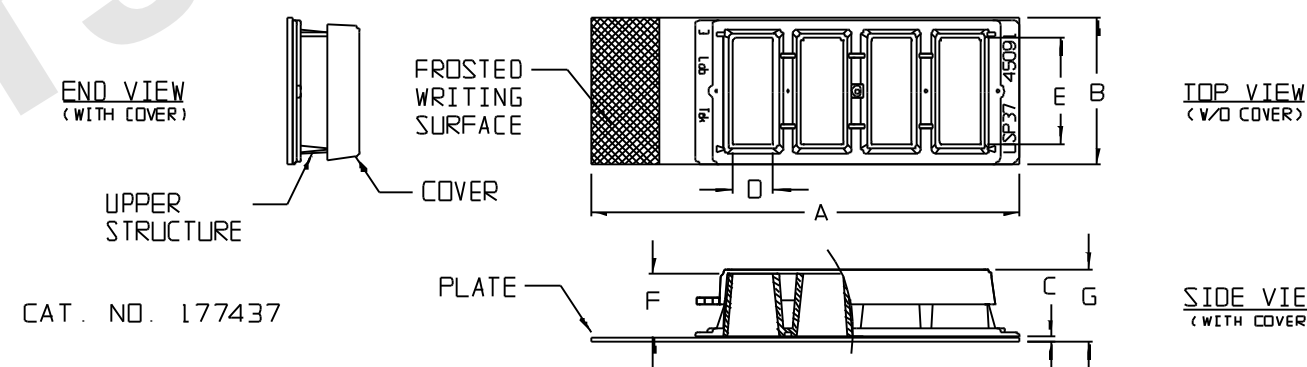
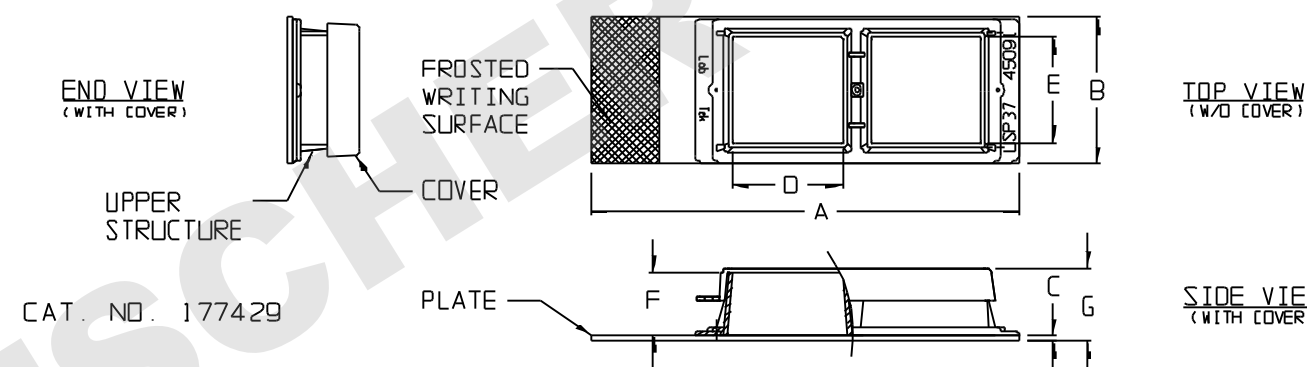
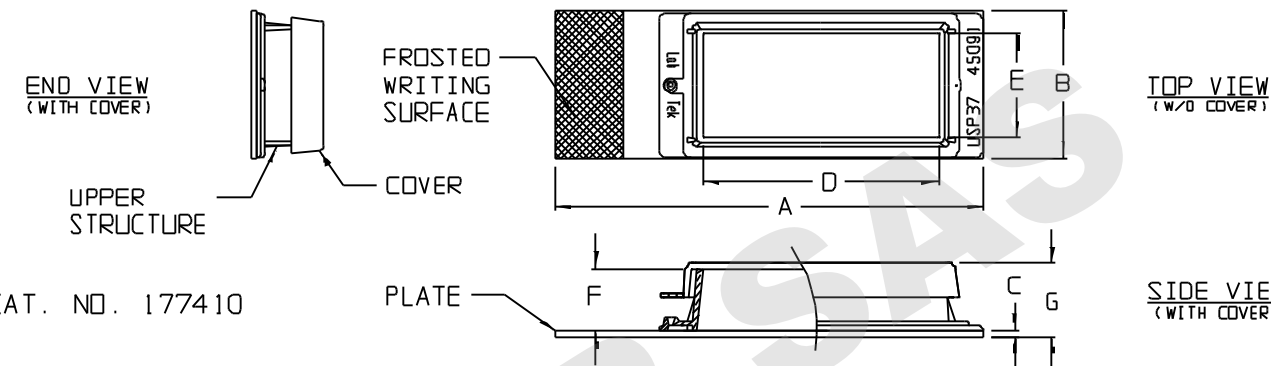


CATALOG NUMBER.....	177410	177429		
NO. OF WELLS.....	1	2		
SUGGESTED WORKING VOL. (mL)...	2.5 - 4.5	1.2 - 2.0		
CULTURE AREA WELL/cm.....	9.4	4.2		
MATERIALS	COVER.....	PS	PS	
	UPPER STRUCTURE....	PS	PS	
	SLIDE.....	PERMANDOX®	PERMANDOX®	
	INCH	MM	INCH	MM
A (SLIDE LENGTH).....	2.98	75.7	2.98	75.7
B (SLIDE WIDTH).....	1.02	25.9	1.02	25.9
C (SLIDE THICKNESS).....	0.04	1.0	0.04	1.0
D (WELL LENGTH).....	1.64	41.7	0.75	19.2
E (WELL WIDTH).....	0.72	18.4	0.72	18.4
F (WELL INSIDE HEIGHT).....	0.43	11.0	0.43	11.0
G (OVERALL HEIGHT).....	0.51	13.0	0.51	13.0

CATALOG NUMBER.....	177437	177445		
NO. OF WELLS.....	4	8		
SUGGESTED WORKING VOL. (mL)...	0.5 - 0.9	0.2 - 0.4		
CULTURE AREA WELL/cm.....	1.8	0.8		
MATERIALS	COVER.....	PS	PS	
	UPPER STRUCTURE....	PS	PS	
	SLIDE.....	PERMANDOX®	PERMANDOX®	
	INCH	MM	INCH	MM
A (SLIDE LENGTH).....	2.98	75.7	2.98	75.7
B (SLIDE WIDTH).....	1.02	25.9	1.02	25.9
C (SLIDE THICKNESS).....	0.04	1.0	0.04	1.0
D (WELL LENGTH).....	0.27	7.0	0.28	17.2
E (WELL WIDTH).....	0.72	18.3	0.28	17.2
F (WELL INSIDE HEIGHT).....	0.43	11.0	0.43	11.0
G (OVERALL HEIGHT).....	0.51	13.0	0.51	13.0

NOTES:

1. ALL DIMENSIONS ARE NOMINAL AND IN INCHES AND MILLIMETERS UNLESS OTHERWISE NOTED.
2. THIS IS NOT A PRODUCTION DRAWING, BUT IS FOR INFORMATIONAL PURPOSES ONLY, AND IS SUBJECT TO CHANGE WITHOUT NOTICE.



CONFIDENTIAL

THIS PRODUCT SPECIFICATION SHEET CONTAINS CONFIDENTIAL AND/OR PROPRIETARY INFORMATION AND IS TO BE USED ONLY FOR THE EXPRESSED PURPOSES AGREED UPON BY AN AUTHORIZED OFFICER OF THERMO FISHER SCIENTIFIC.

**ThermoFisher**  
SCIENTIFIC

Thermo Fisher Scientific  
75 Panorama Creek Drive  
Rochester, NY 14625-2385, USA

MADE MC <sup>2</sup>	APP'D PVC	PSS 177XXX-2	REV. 0104
CS# RDR 2/4/04	2/4/04		

DESCRIPTION: LAB-TEK® CHAMBER SLIDE™ SYSTEM