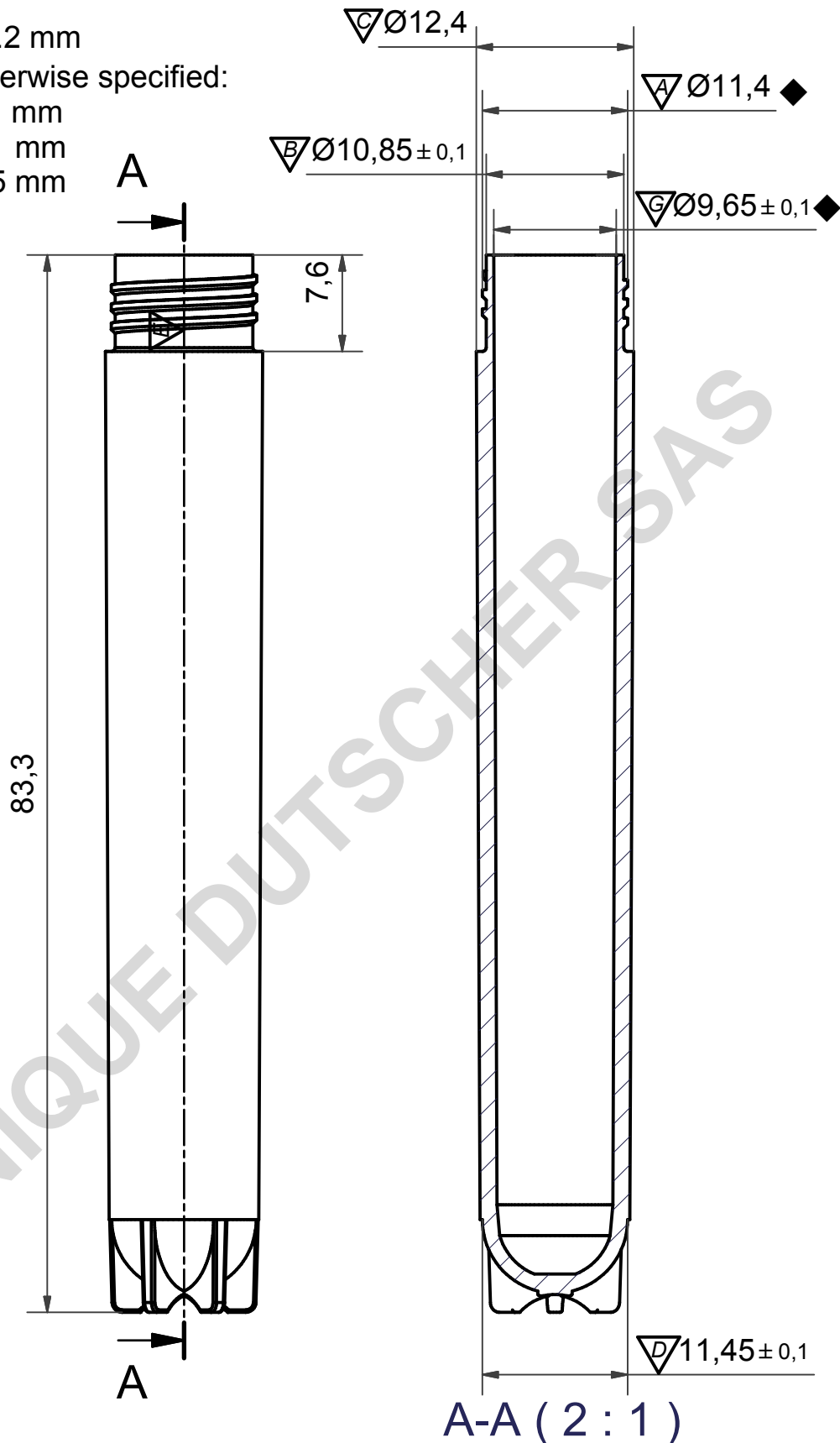


Undefined radius: R 0.2 mm
 Tolerances unless otherwise specified:
 Without decimal: ± 0.5 mm
 1 place decimal: ± 0.1 mm
 2 place decimal: ± 0.05 mm



Thermo Fisher
 S C I E N T I F I C

Nunc A/S · Kamstrupvej 90 · P.O.Box 280
 DK-4000 Roskilde · Denmark
 Tel +45 4631 2000 · Fax +45 4631 2042
 E-mail: info.nunc@thermofisher.com

www.thermoscientific.com

SUBJECT:

Cryotube 4,5 ml
 starfoot, ext. thread

DRAWN BY/DATE:

PBE/2012-01-25

CHANGE ORDER NO.:

CO-3989

VALID FROM:

05-04-2013

APPROVED BY/DATE:

ROSKGA 05-04-2013

FORMAT:

A4

ITEM NUMBER:

MATERIAL:

DRAWING NO.:

2258

VERSION:

10-a

PAGE TYPE:

-C

SCALE:

2:1

METRIC

First Angle
 Projection

