

Instructions for Use

MultiScreen[®]_{HTS} 384-well Filter Plate Liner

Cat. No. MZMB NCL 50, (50/pk)

PR02342, Rev. A, 01/07

Introduction

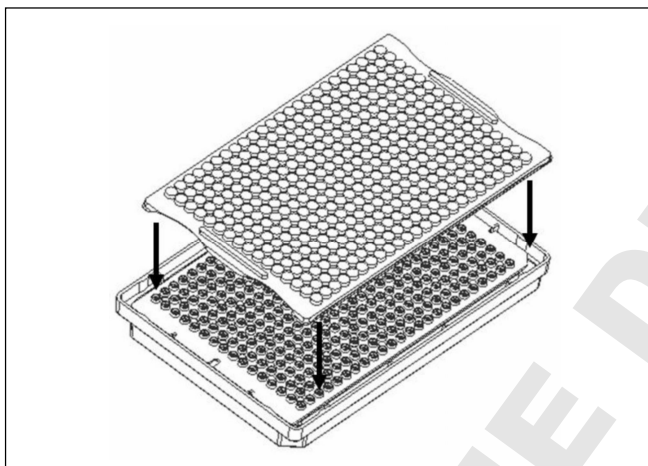
The MultiScreen_{HTS} 384-well Filter Plate Liner is designed to attach to the underside of the filter plate during in-plate radiometric counting in the MicroBeta[®] Trilux or TopCount[®] scintillation plate readers. In addition, the clear design of the plate liner promotes better counting performance by allowing plates can be read in coincidence counting mode in the MicroBeta Trilux reader.

NOTE: When using a plate liner, place plates on every other shelf in the MicoBeta reader.

Procedure

NOTE: Do not add scintillation fluid to the filter plate until after the plate liner is attached to the bottom of the plate.

1. Align the plate liner with the underside of the filter plate.



2. Starting in one corner, apply pressure with thumbs along the edge of the plate liner until it snaps into place. Repeat with other corners until the entire plate liner is securely fastened to the underside of the filter plate.



3. Test to ensure that the liner is properly snapped into place.
4. Proceed with adding scintillation fluid and follow standard radiometric counting procedure.

Specifications

Material of Construction: PETG

Dimensions: 77 mm × 123.7 mm × 4 mm
(3 in. × 4.9 in. × .16 in.)

Technical Assistance

For more information, contact the Millipore office nearest you. In the U.S., call **1-800-MILLIPORE** (1-800-645-5476). Outside the U.S., see your Millipore catalogue for the phone number of the office nearest you or go to our web site at www.millipore.com/ offices for up-to-date worldwide contact information. You can also visit the tech service page on our web site at www.millipore.com/techservice. To buy Millipore products on-line, go to www.millipore.com/purecommerce.

Custom Order Limited Warranty

Millipore Corporation ("Millipore") warrants Custom Order products against defects in materials and workmanship for a period of thirty (30) days following receipt by the purchaser. **MILLIPORE DISCLAIMS ALL OTHER WARRANTIES WHETHER EXPRESS OR IMPLIED, INCLUDING THE WARRANTIES OF MERCHANTABILITY AND OF FITNESS FOR A PARTICULAR PURPOSE.** Millipore's sole obligation shall be to repair or replace, at its option, any Custom Order product that proves to be defective in materials or workmanship within the warranty period. Millipore shall in no event be liable for consequential damages for economic loss or property damage sustained from use of any Custom Order product.

Notice

The information in this document is subject to change without notice and should not be construed as a commitment by Millipore Corporation. Millipore Corporation assumes no responsibility for any errors that may appear in this document. This manual is believed to be complete and accurate at the time of publication. In no event shall Millipore Corporation be liable for incidental or consequential damages in connection with or arising from the use of this manual.

Millipore and MultiScreen are registered trademarks of Millipore Corporation. MicroBeta is a registered trademark of PerkinElmer, Inc. TopCount is a registered trademark of Packard Instrument Company, Inc.

MILLIPORE