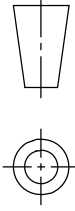


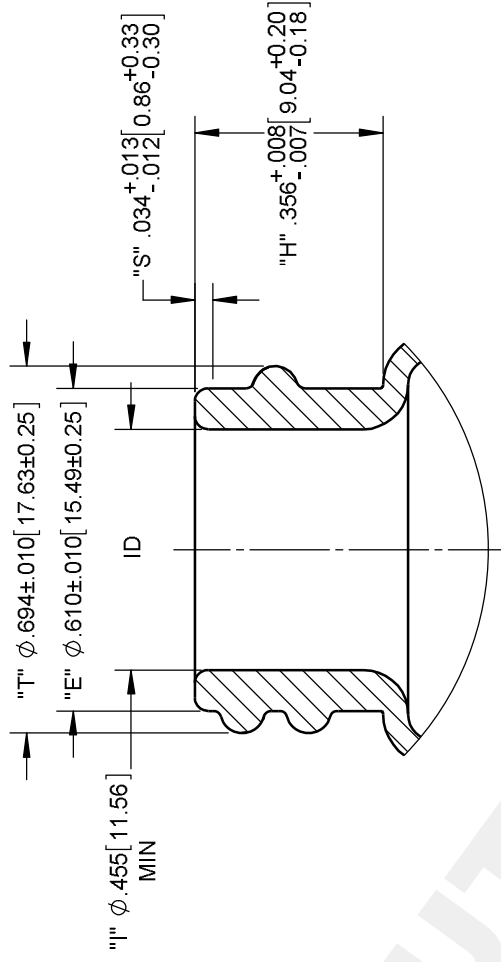
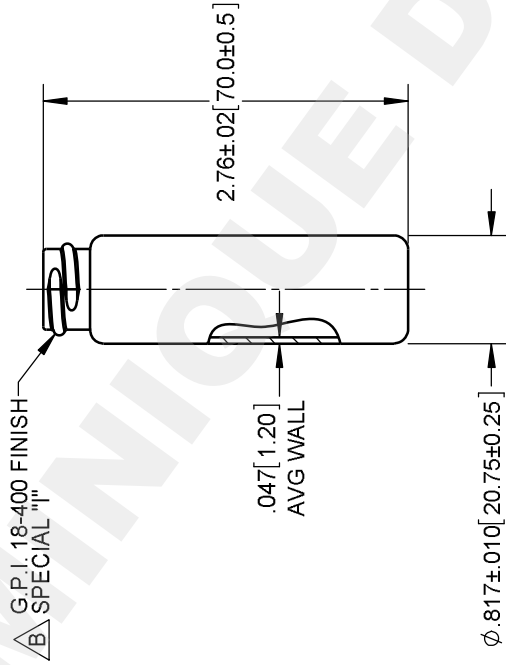
K:\GCA\224706

THIS DRAWING CONTAINS CONFIDENTIAL INFORMATION AND IS A COPYRIGHT OF WHEATON INDUSTRIES INC. IT MAY NOT BE REPRODUCED OR TRANSMITTED IN ANY FORM OR BY ANY MEANS, IN WHOLE OR IN PART, WITHOUT THE EXPRESS WRITTEN CONSENT OF WHEATON INDUSTRIES INC. ALL RIGHTS RESERVED. © ELECTRONIC OR PAPER COPIES OF THIS PRINT OUTSIDE OF WHEATON'S SYSTEM ARE UNCONTROLLED AND ARE FOR REFERENCE ONLY UNLESS OTHERWISE STAMPED.

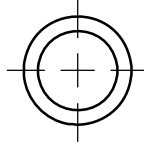
THIRD ANGLE PROJECTION



ISOMETRIC VIEW



FINISH DETAIL  
SCALE 4 : 1



MATERIAL: TYPE I CLEAR 33 EXPANSION BOROSILICATE GLASS

TITLE  
16mL SIT EC VIAL, GLASS CLR, NO CAP

2. MILLIMETER DIMENSIONS ARE FOR REFERENCE ONLY.

1. DIMENSIONS ARE IN INCHES & [MILLIMETERS].

----NOTES----

DATE DRAWN 05/19/08  
DRAWN BY JB  
CHECKED BY BL 05/19/08

PROC.#  
APPROX WGT  
AUTHORIZED  
TRJ 05/19/08

REDRAWN IN SOLIDWORKS 01/05/15 KW  
B 2013110614042317 11/11/13 TP  
A 20080516160850 05/19/08 JB

CAPACITY  
G.P.I. 18-400 SPECIAL "I" (with symbol B)

REV  
REV 05/19/08  
ECN #  
DATE

SIZE  
B  
DWG NO: 224706

WHEATON®  
1801 North 10th Street, Millville, NJ 08332-2038