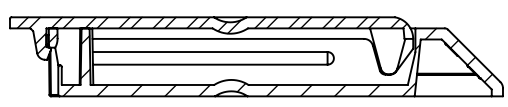
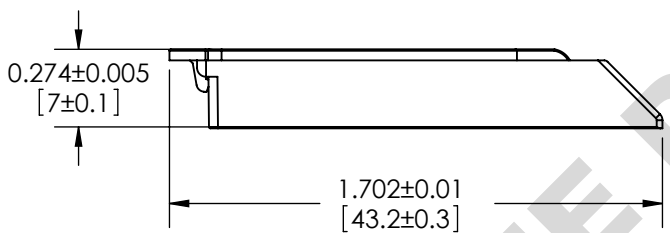
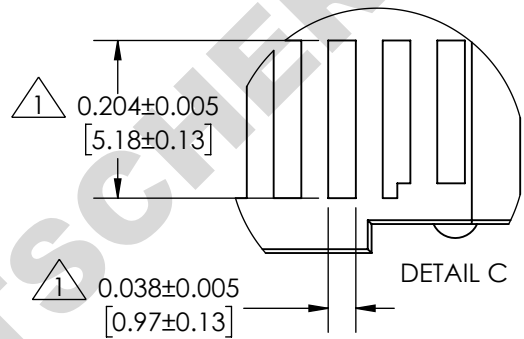
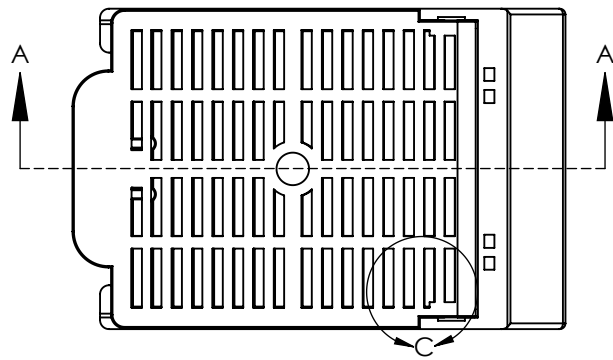
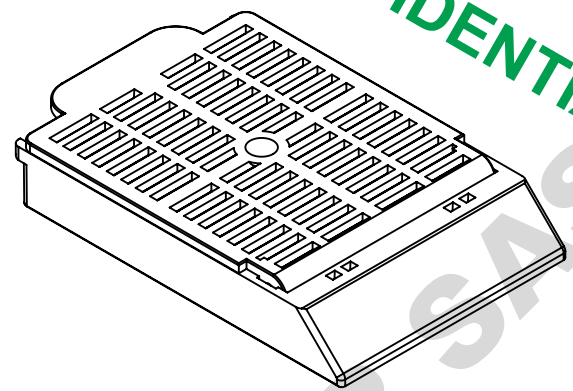
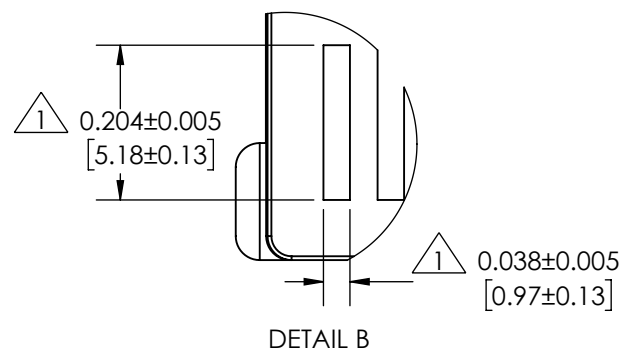
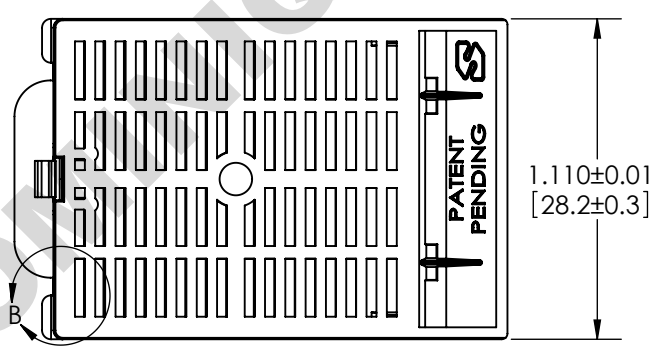


CONFIDENTIAL



SECTION A-A



DETAIL B

1	2018-09-18	ADD OPENING DIMENSIONS	A.P.
	DATE	DESCRIPTION	BY

TITLE: **M492, M485**

Simport

MATERIAL: POLYMER ACETAL	
REF.: Simport	SCALE: N.T.S.
BY: A. PLANTE	DATE: 2012/07/26
DRAWING: DC M492	PAGE: 1 / 1 REV.: 1

© COPYRIGHT: Simport Ltd; 1998

PROPRIETARY AND CONFIDENTIAL:

THE INFORMATION CONTAINED IN THIS DRAWING IS THE SOLE PROPERTY OF SIMPORT Ltd. ANY REPRODUCTION IN PART OR AS A WHOLE WITHOUT THE WRITTEN PERMISSION OF SIMPORT Ltd IS PROHIBITED.

UNITS
0.000 inch
[0.00] mm

FORMAT