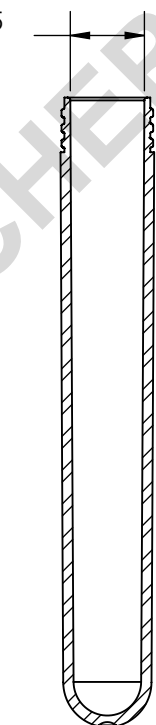
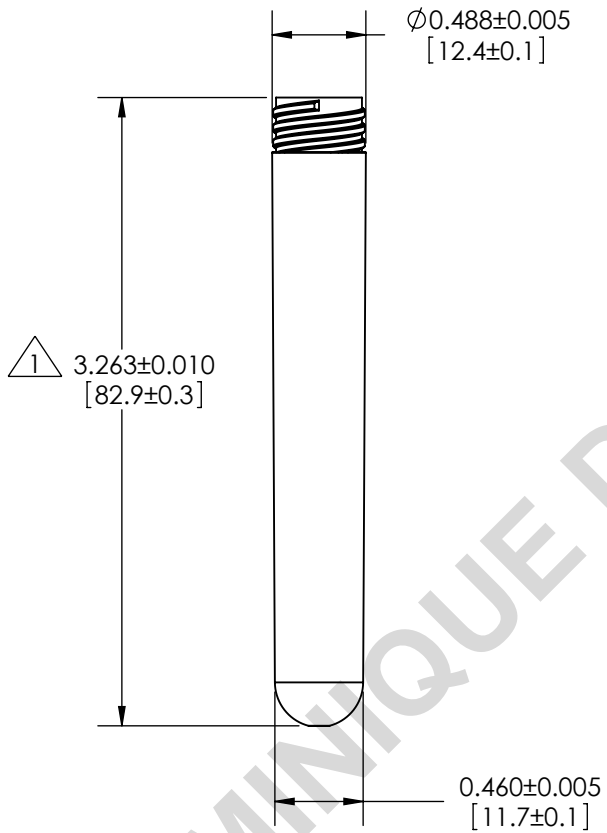
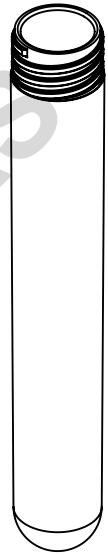
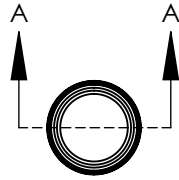
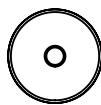


**CONFIDENTIAL**



SECTION A-A



© COPYRIGHT: Simport Ltd; 1998

PROPRIETARY AND CONFIDENTIAL:

THE INFORMATION CONTAINED IN THIS DRAWING IS THE SOLE PROPERTY OF SIMPORT Ltd. ANY REPRODUCTION IN PART OR AS A WHOLE WITHOUT THE WRITTEN PERMISSION OF SIMPORT Ltd IS PROHIBITED.

**UNITS**  
0.000 inch  
[0.00] mm

**FORMAT**

1	12/03/07	3.263 ± .010 WAS 3.272	+0.005 -0.01	A.P.
	DATE	DESCRIPTION		BY
TITLE: T501-5T				
<b>Simport</b>				
MATERIAL: POLYPROPYLENE				
REF.: Simport			SCALE: N.T.S.	
BY: A. PLANTE			DATE: 2011/08/09	
DRAWING: DC T501-5T			PAGE: 1 / 1	REV.: 1