

Technical Data Sheet

Eppendorf twin.tec® PCR Plate 384, skirted, 45 µL

English (EN)

1 Dimensions

General dimensions for plates with and without barcode

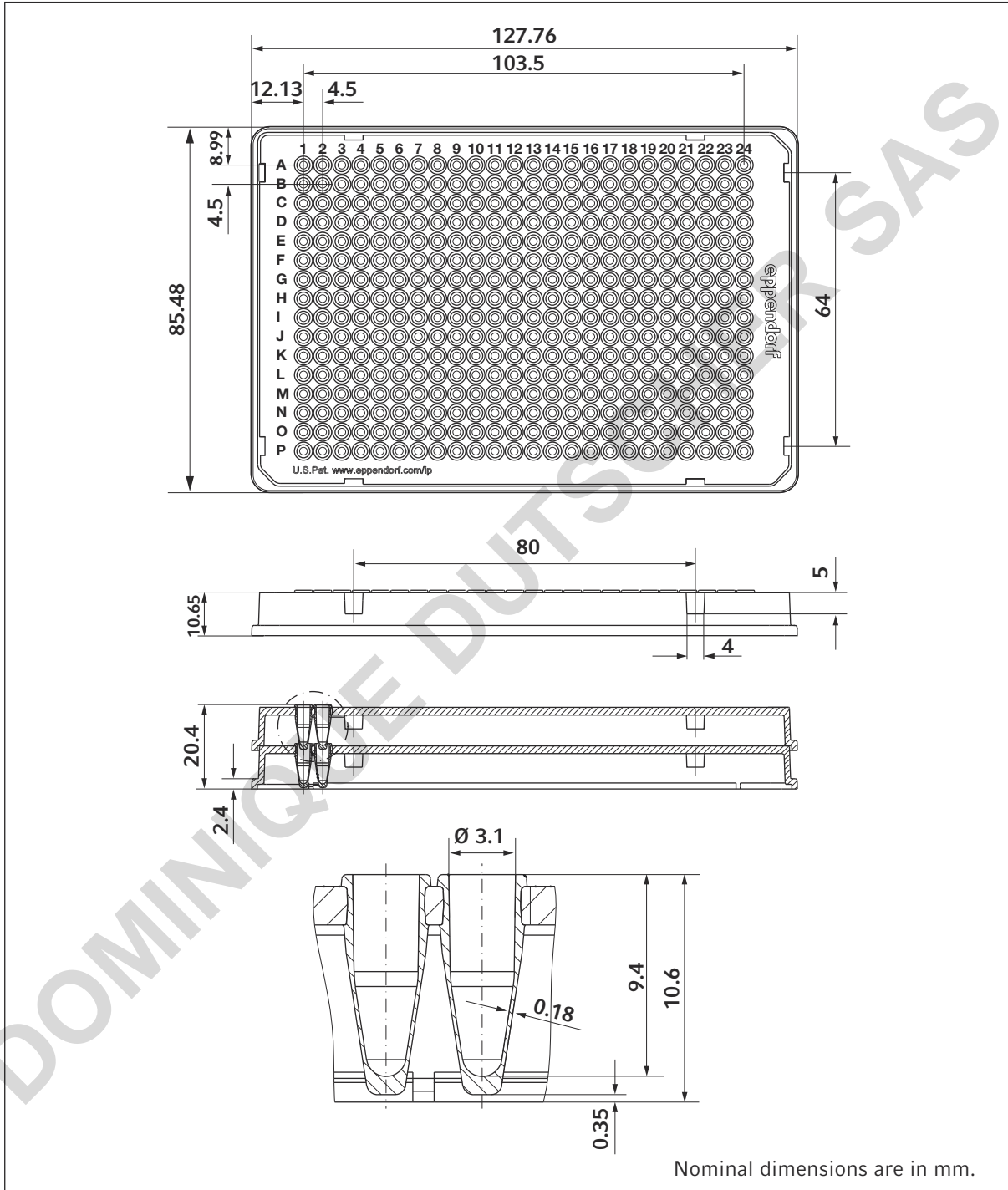


Fig. 1-1: Top view and detail view

Technical Data Sheet

Eppendorf twin.tec® PCR Plate 384, skirted, 45 µL
English (EN)

Dimensions and positions of the barcodes on the pre-barcoded SafeCode plates

There is no barcode on the rear.

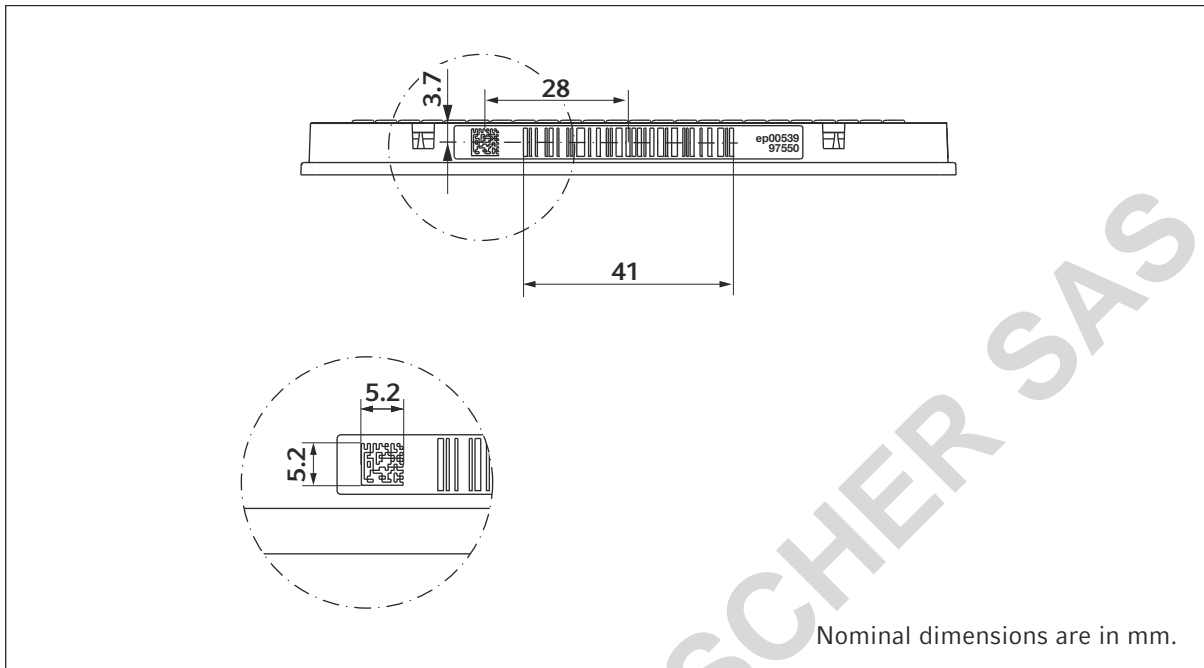


Fig. 1-2: Front view

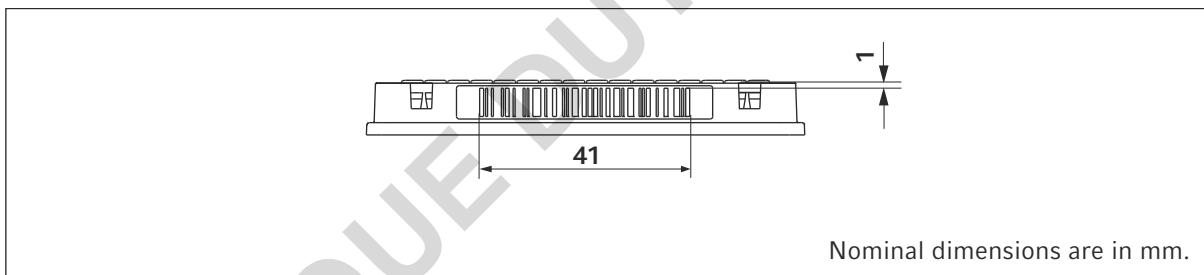


Fig. 1-3: Left and right side view

Labeling and optical grid of the bio-based plates

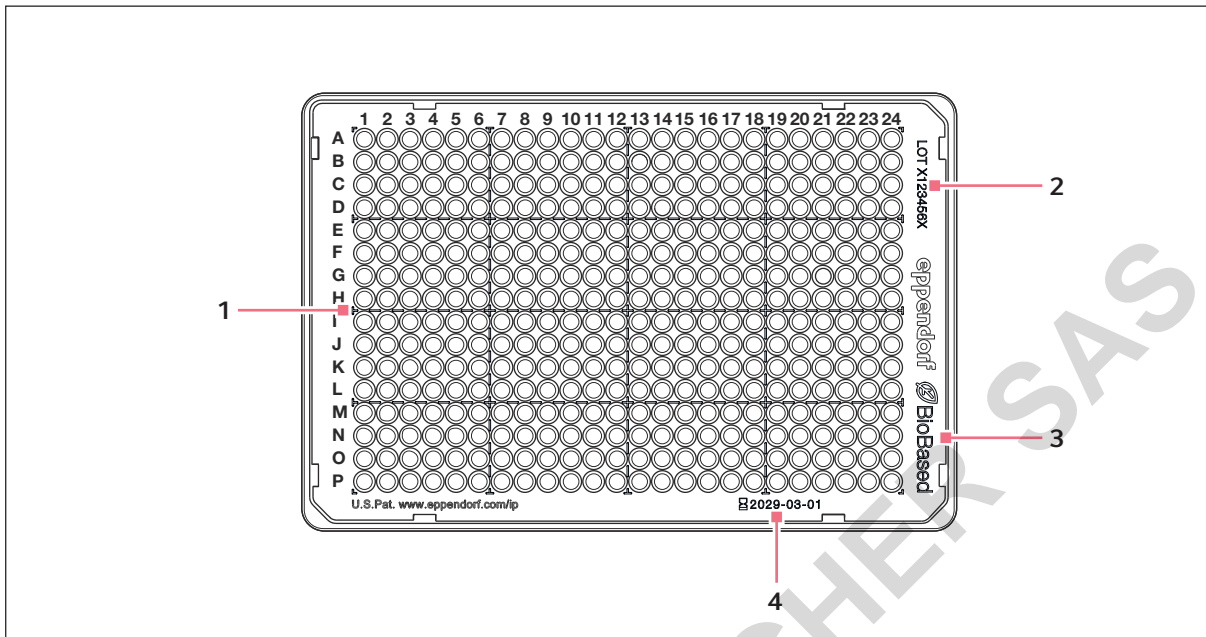


Fig. 1-4: Top view

- 1 Optical grid
- 2 LOT number
- 3 BioBased logo
- 4 Expiry date

Your local distributor: www.eppendorf.com/contact

Eppendorf SE · Barkhausenweg 1 · 22339 Hamburg · Germany
eppendorf@eppendorf.com · www.eppendorf.com