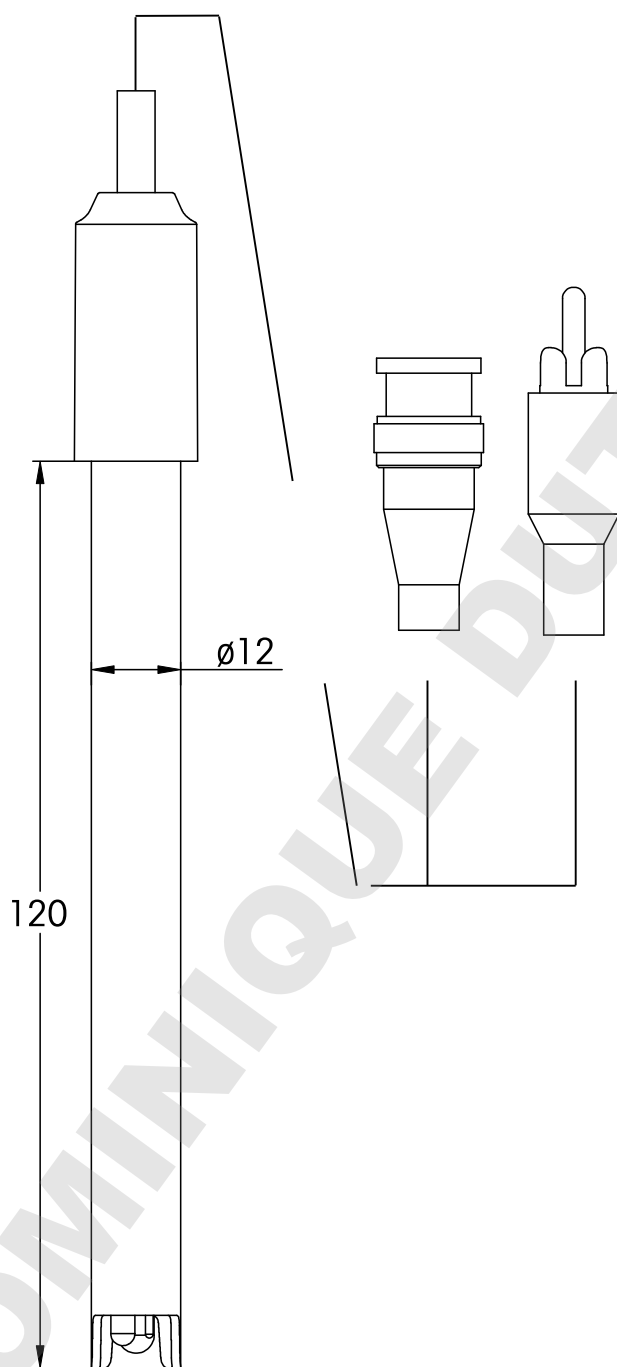


LE438

For general applications in the laboratory
Robust and maintenance-free

pH Ref °C ISM



Sensor type combined pH electrode

Order number 51340242

Specifications

pH range 0...14
zero point (pH) 7.00 ± 0.25

temperature range 0...80 °C
temperature probe NTC 30 kΩ

shaft material POM
membrane glass U
membrane resistance < 250MΩ

reference system Ag / AgCl
reference diaphragm polyester
reference electrolyte gel
bridge electrolyte -

electrode head -
cable length 1.0 m
connector BNC

cell constant (cm⁻¹) -
cell type -

indicating metal -

Storage

3M KCl (51350072)