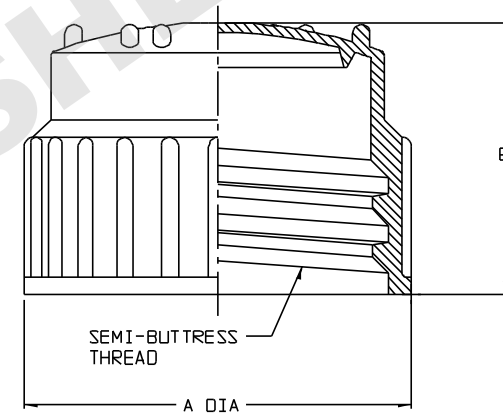


CATALOG NO.	NOMINAL SIZE (mm)		MATERIAL
712160	53B	83B	WHITE PP

CATALOG NO. ....	-0530		-0830	
NECK FINISH (mm)....	53B		83B	
CLOSURE MATERIAL....	WHITE PP		WHITE PP	
THREAD (T.P.I.)....	4		2	
NOM. WEIGHT (gm)....	30		90	
	INCH	MM	INCH	MM
A (O.D.).....	2.58 ±0.02	65.5 ±0.5	4.00 ±0.03	101.6 ±0.8
B (HEIGHT).....	1.65 ±0.02	41.9 ±0.5	2.82 ±0.03	71.6 ±0.8

NOTES:

1. ALL DIMENSIONS ARE NOMINAL AND IN INCHES AND MILLIMETERS UNLESS OTHERWISE NOTED.
2. THIS IS NOT A PRODUCTION DRAWING, BUT IS FOR INFORMATIONAL PURPOSES ONLY, AND IS SUBJECT TO CHANGE WITHOUT NOTICE.



SPECS ON BACK

NOT TO SCALE

CONFIDENTIAL

THIS PRODUCT SPECIFICATION SHEET CONTAINS CONFIDENTIAL AND/OR PROPRIETARY INFORMATION AND IS TO BE USED ONLY FOR THE EXPRESSED PURPOSES AGREED UPON BY AN AUTHORIZED OFFICER OF THERMO FISHER SCIENTIFIC.

**ThermoFisher**  
**SCIENTIFIC**

Thermo Fisher Scientific  
75 Panorama Creek Drive  
Rochester, NY 14625-2385, USA

PAGE	MG	APP'D	PVC	PSS 71-2160-OXXX-1	REV.	0898
DC#	PVC		8/26/98			

DESCRIPTION:

SCREW CLOSURES