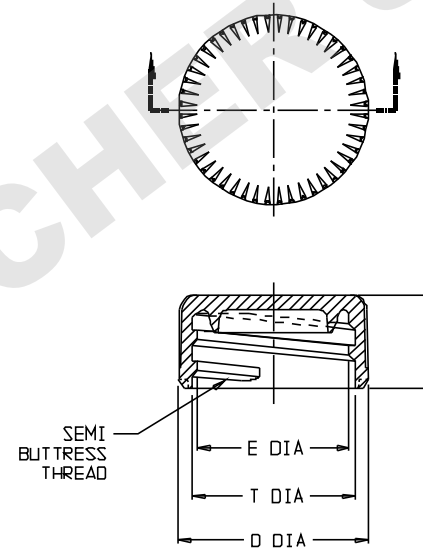


CATALOG NO. (STERILE)	CATALOG NO. (NON-STERILE)	COLOR
342821-0110	362821-0110	NATURAL
342821-0111	362821-0111	WHITE
342821-0112	362821-0112	YELLOW
342821-0114	362821-0114	GREEN
342821-0115	362821-0115	RED
342821-0116	362821-0116	BLUE
342821-0118	362821-0118	PURPLE
342821-0119	362821-0119	PINK
342821-1111	362821-1111	AMBER

MATERIAL	PPCO	
NOMINAL SIZE (mm) . . .	11	
THREAD (T.P.I.)	12	
NOM. WEIGHT (gms)	0.3	
	INCHES	MM
D (DIA)510 ±.005	12.9 ±0.1
H (HEIGHT)250 ±.005	6.4 ±0.1
E (MINOR THD. DIA.)408 ±.004	10.4 ±0.1
T (MAJOR THD. DIA.)440 ±.004	11.2 ±0.1

NOTES:

1. ALL DIMENSIONS ARE NOMINAL AND IN INCHES AND MILLIMETERS UNLESS OTHERWISE NOTED.
2. THIS IS NOT A PRODUCTION DRAWING, BUT IS FOR INFORMATIONAL PURPOSES ONLY, AND IS SUBJECT TO CHANGE WITHOUT NOTICE.



SPECS ON BACK

NOT TO SCALE

CONFIDENTIAL

THIS PRODUCT SPECIFICATION SHEET CONTAINS CONFIDENTIAL AND/OR PROPRIETARY INFORMATION AND IS TO BE USED ONLY FOR THE EXPRESSED PURPOSES AGREED UPON BY AN AUTHORIZED OFFICER OF THERMO FISHER SCIENTIFIC.

ThermoFisher
SCIENTIFIC

Thermo Fisher Scientific
75 Panorama Creek Drive
Rochester, NY 14625-2385, USA

PAGE	JGJ	APP'D	PVC	PSS 3X-2821-X11X	REV.	0398
CR'D	GRP	3/18/98				
DESCRIPTION: LOW PROFILE CLOSURE, MICRO PACKAGING VIAL						