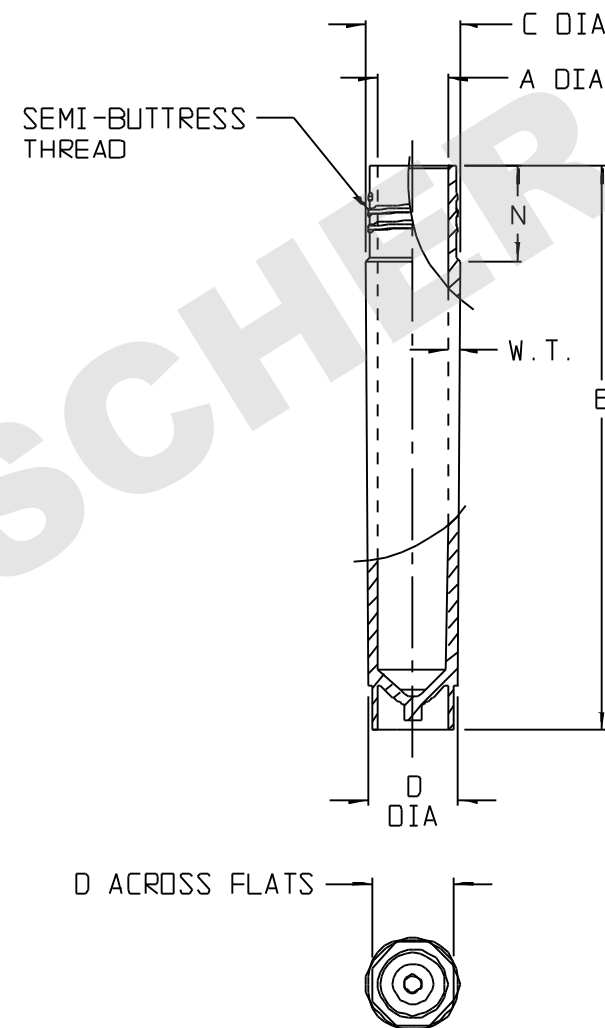


CATALOG NUMBERS.....:	342800-0045 (STERILE)	
	362800-0045 (NON-STERILE)	
MATERIAL.....:	PPCO	
SIZE (NOM VOL mL)....:	4.5	
NOM. BRIM CAP. (mL):	4.52	
NECK FINISH (mm)....:	13	
THREAD (T.P.I.).....:	12	
NOM. WEIGHT (gms)....:	3.0	
DIM. FOR IN./CM.....:	INCH	MM
A (NECK I.D.).....:	0.369 ±.006	9.37 ±.15
B (HT. W/O CLOSURE):	2.942 ±.015	74.73 ±.38
C (NECK DIA).....:	0.483 ±.006	12.3 ±0.15
D (DIA).....:	0.466	11.84
F (ACROSS FLATS)....:	0.43	10.9
N (NECK HEIGHT)....:	0.50	12.7
W.T.(NOM. WALL THK):	0.054	1.37



SPECS ON BACK

NOT TO SCALE

NOTES:

1. ALL DIMENSIONS ARE NOMINAL AND IN INCHES AND MILLIMETERS UNLESS OTHERWISE NOTED.
2. THIS IS NOT A PRODUCTION DRAWING, BUT IS FOR INFORMATIONAL PURPOSES ONLY, AND IS SUBJECT TO CHANGE WITHOUT NOTICE.

CONFIDENTIAL

THIS PRODUCT SPECIFICATION SHEET CONTAINS CONFIDENTIAL AND/OR PROPRIETARY INFORMATION AND IS TO BE USED ONLY FOR THE EXPRESSED PURPOSES AGREED UPON BY AN AUTHORIZED OFFICER OF THERMO FISHER SCIENTIFIC.

**ThermoFisher**  
SCIENTIFIC

Thermo Fisher Scientific  
75 Panorama Creek Drive  
Rochester, NY 14625-2385, USA

MADE	MC <sup>2</sup>	APP'D	PVC	PSS 3X-2800-0045	REV.	0302
CHK'D	PVC		4/8/02			
DESCRIPTION:						
MICRO PACKAGING VIAL, 4.5mL						