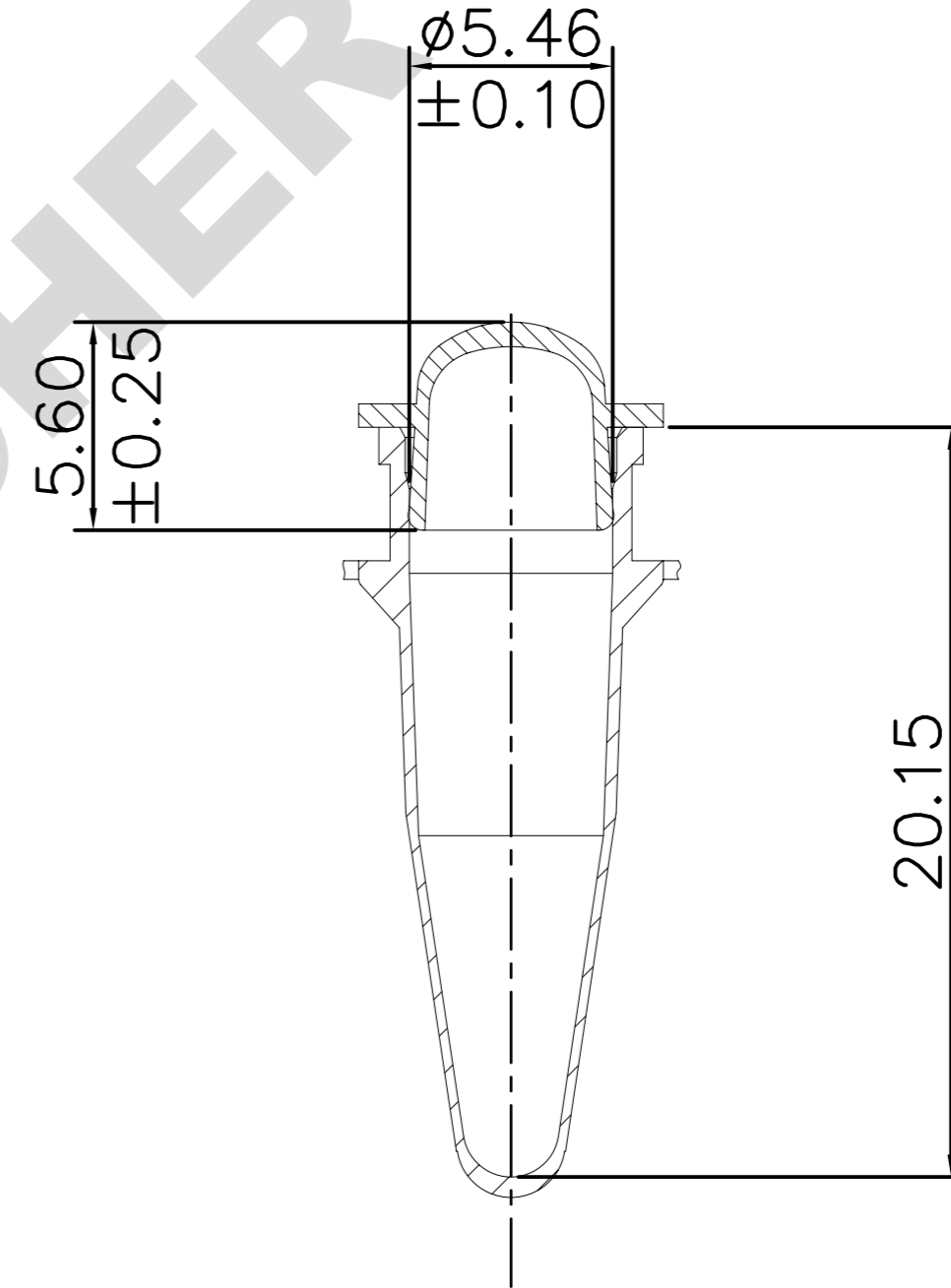
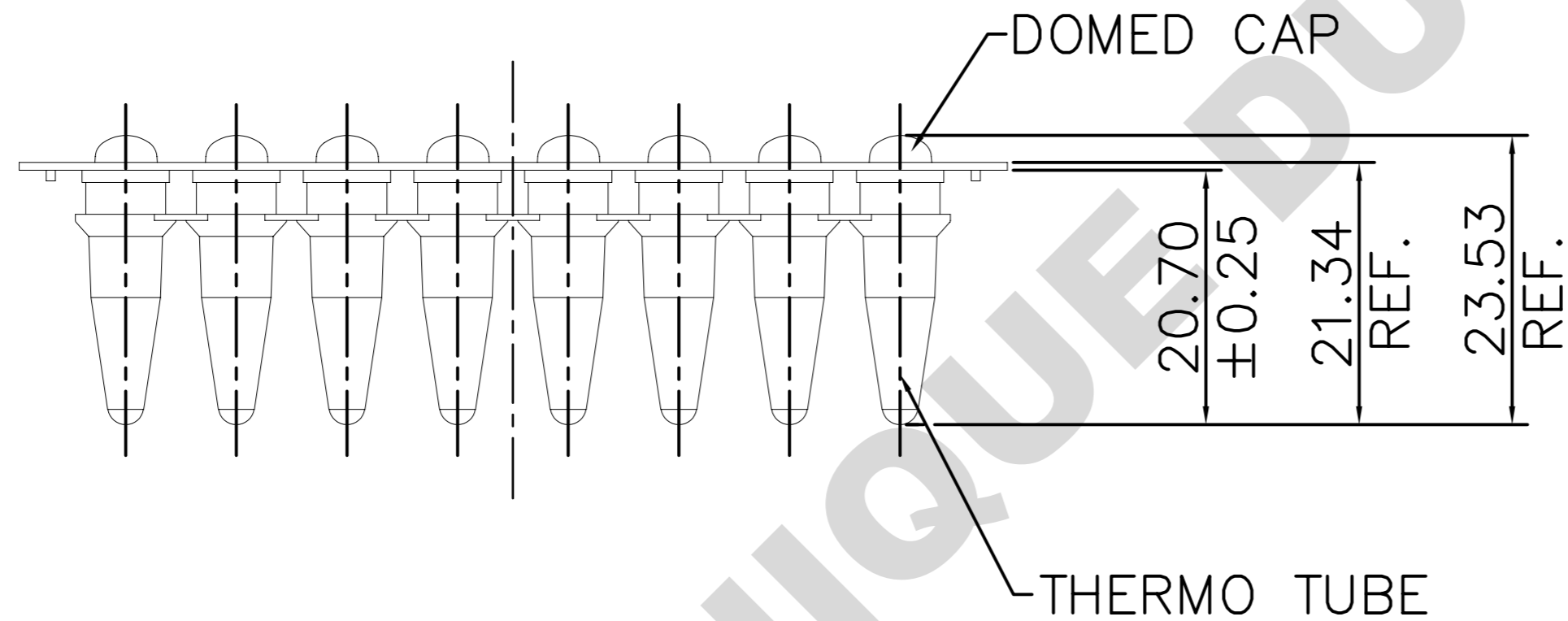
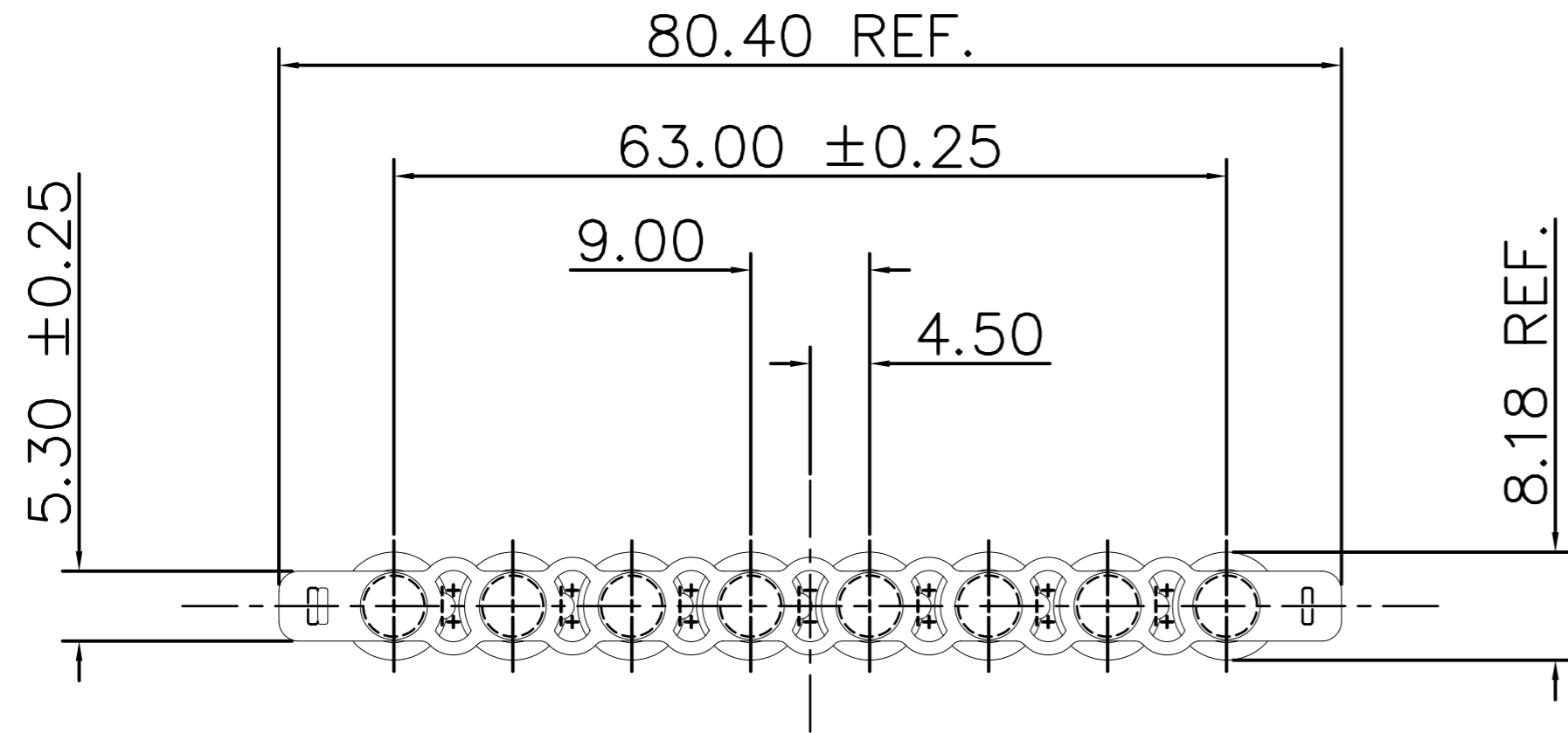


NOT TO SCALE

Copyright ThermoFisher Scientific  
 This drawing and/or any technical information relating to it is issued in strict confidence and may not be reproduced or used for manufacture without written permission. Upon receipt of which it is the users responsibility to seek confirmation of any dimensions and production tolerances.



SECTION thro' TUBE & CAP 8pos

All dimensions in mm



TITLE		
Strip of 8 Thermo Tubes & Domed Cap Strip		
DRG. NO.	ISSUE	DATE
016000CL	ORIGINAL	23/11/12