

## Deep Well Plates

### I. APPLICATIONS

1. Bacterial culture, bacterial storage, compound storage for screening libraries, etc.

### II. FEATURES

1. Materials: polypropylene.
2. Certified DNase/RNase-free.
3. Resistant to harsh organic solvents.
4. Autoclavable to 121°C, 20psi for 20 minutes without any deforming.
5. Freezable to -80°C.
6. Can withstand centrifugation of 3000-4000 RCF without damaging or deforming.
7. Compliant with SBS standards for automation; compatible with automated DNA extraction equipment.
8. Can be sealed with sealing film, silicone covers, self-adhesive covers, etc.

### III. PLATE DESIGN

1. Deep Well Plates with square or round wells are available.
2. Well volumes: 0.5ml (square), 1.0ml (round), 1.6 ml (square), 2.2 ml (square), or 10ml (square).
3. 96 wells or 24 wells per plate.
4. Sterilized, individually wrapped, and with lid type optional.

### IV. PACKAGING

1. Bulk, non-sterile.

### V. DESCRIPTION

Item	Description	Packaging	Sterile	Cap
02-1016	96 square wells, 1.6ml, U bottom	Bulk, 24 pieces/pack, 4 packs/case	No	No
02-1116	96 square wells, 1.6ml, U bottom	Bulk, 10 pieces/pack, 5 packs/case	Yes	No
02-1116	96 square wells, 1.6ml, U bottom	Bulk, 24 pieces/pack, 4 packs/case	No	Yes
02-1316	96 square wells, 1.6ml, U bottom	Bulk, 10 pieces/pack, 5 packs/case	Yes	Yes
02-1022	96 square wells, 2.2ml, U bottom	Bulk, 24 pieces/pack, 4 packs/case	No	No
02-1122	96 square wells, 2.2ml, U bottom	Bulk, 10 pieces/pack, 5 packs/case	Yes	No
02-1222	96 square wells, 2.2ml, U bottom	Bulk, 24 pieces/pack, 4 packs/case	No	Yes
02-1322	96 square wells, 2.2ml, U bottom	Bulk, 10 pieces/pack, 5 packs/case	Yes	Yes
02-2010-50	96 round wells, 1.0ml, U bottom	Bulk, 10 pieces/pack, 5 packs/case	No	No
02-2110	96 round wells, 1.0ml, U bottom	Bulk, 10 pieces/pack, 5 packs/case	Yes	No
02-2210	96 round wells, 1.0ml, U bottom	Bulk, 24 pieces/pack, 4 packs/case	No	Yes
02-2310	96 round wells, 1.0ml, U bottom	Bulk, 10 pieces/pack, 5 packs/case	Yes	Yes
02-6022	96 square wells, 2.2ml, profile concave, U bottom	Bulk, 24 pieces/pack, 4 packs/case	No	No

02-6122	96 square wells, 2.2ml, profile concave, U bottom	Bulk, 10 pieces/pack, 5 packs/case	Yes	No
02-6222	96 square wells, 2.2ml, profile concave, U bottom	Bulk, 24 pieces/pack, 4 packs/case	No	Yes
02-6322	96 square wells, 2.2ml, profile concave, U bottom	Bulk, 10 pieces/pack, 5 packs/case	Yes	Yes
02-7022	96 square wells, 2.2ml, V bottom	Bulk, 10 pieces/pack, 5 packs/case	No	No
02-7122	96 square wells, 2.2ml, V bottom	Bulk, 10 pieces/pack, 5 packs/case	Yes	No
02-7222	96 square wells, 2.2ml, V bottom	Bulk, 10 pieces/pack, 5 packs/case	No	Yes
02-7322	96 square wells, 2.2ml, V bottom	Bulk, 10 pieces/pack, 5 packs/case	Yes	Yes
02-8005	96 square wells, 0.5ml, V bottom	Bulk, 10 pieces/pack, 10 packs/case	No	No
02-8105	96 square wells, 0.5ml, V bottom	Bulk, 10 pieces/pack, 10 packs/case	Yes	No
02-8205	96 square wells, 0.5ml, V bottom	Bulk, 10 pieces/pack, 10 packs/case	No	Yes
02-8305	96 square wells, 0.5ml, V bottom	Bulk, 10 pieces/pack, 10 packs/case	Yes	Yes
02-9010	24 square wells, 10.0ml, V bottom	Bulk, 5 pieces/pack, 10 packs/case	No	No
02-9010	24 square wells, 10.0ml, V bottom	Bulk, 5 pieces/pack, 10 packs/case	Yes	No
02-9010	24 square wells, 10.0ml, V bottom	Bulk, 5 pieces/pack, 10 packs/case	No	Yes
02-9010	24 square wells, 10.0ml, V bottom	Bulk, 5 pieces/pack, 10 packs/case	Yes	Yes
02-0096	96 tip comb	2 pieces/pack, 25 packs/case	No	/
02-0196	96 tip comb	2 pieces/pack, 25 packs/case	Yes	/
02-0008	Magnet set	2 pieces/pack, 100 packs/case	No	/

## VI. STERILITY

1. Non-sterile and sterile all available.

## VII. CERTIFICATION

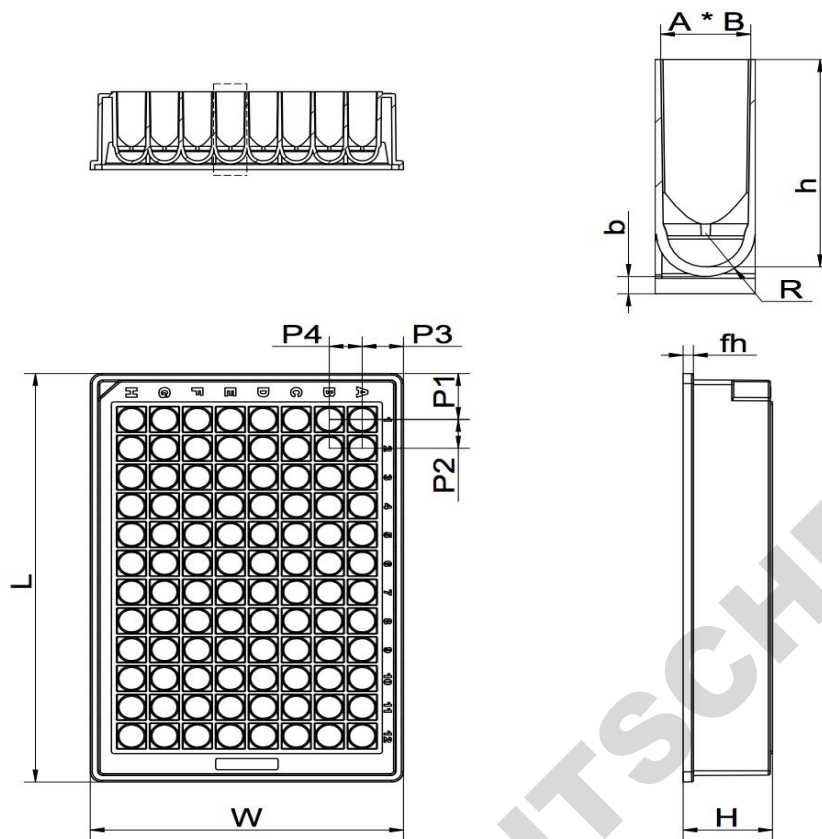
Biologix products are manufactured completely according to the TUV ISO 9001:2008 standard.

## VIII. RESTRICTIONS

Refer to the Chemical Resistance Chart in our catalog, and available within our online catalog.

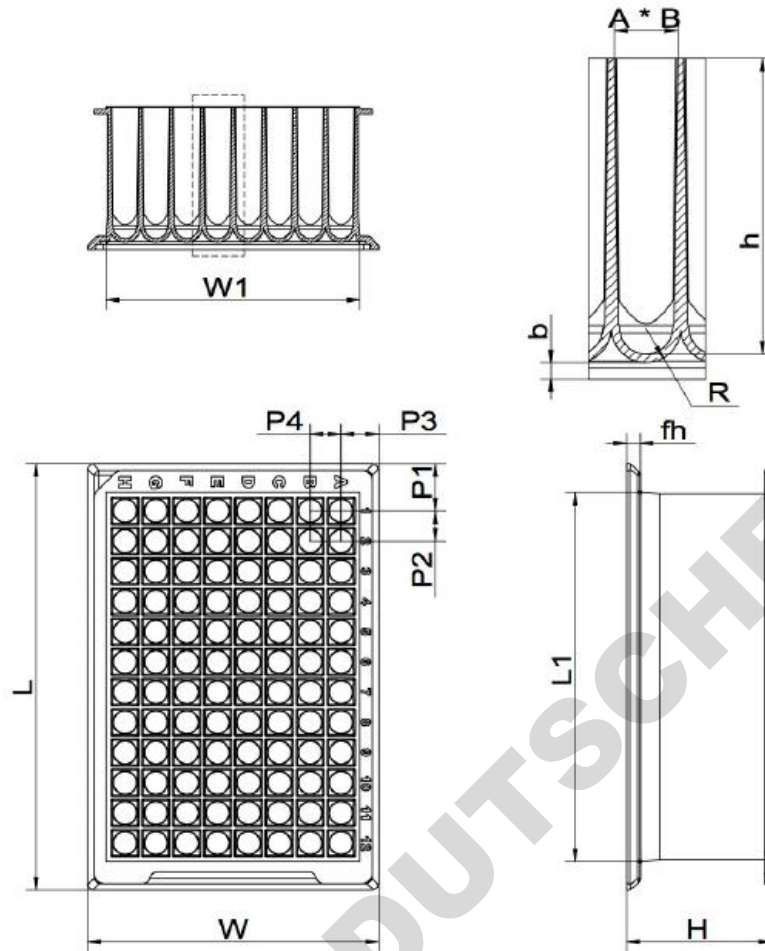
## IX. PRODUCT PARAMETER

Dimensions = mm



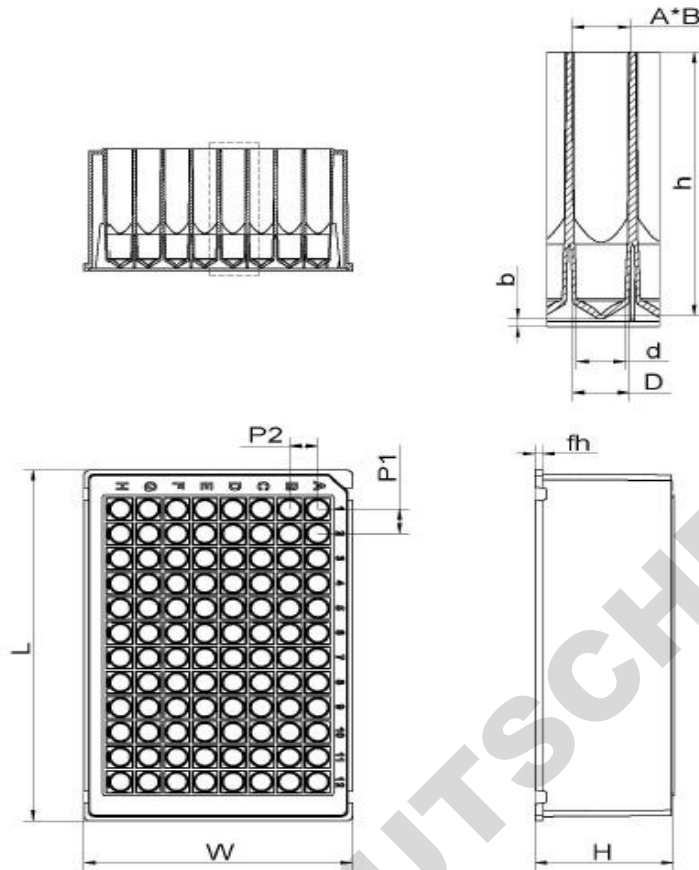
Item	Plate dimension				Well dimension		
	Length	Width	Height		Depth	Edge length	
	L	W	H	fh	h	A	B
02-2010	127.76	85.48	24.40	2.80	21.60	8.2	8.2
02-1016	127.76	85.48	31.60	2.50	28.50	8.2	8.2
02-1022	127.50	85.40	41.60	2.80	39.00	8.2	8.2

Item	Bottom		Position of well center				Theoretical Weight[g]
	radius	Space					
	R	b	P1	P2	P3	P4	
02-2010	4.5	1.8	14.38	9.00	11.24	9.00	53.20
02-1016	4.5	1.8	14.38	9.00	11.24	9.00	77.70
02-1022	4.5	1.8	14.25	9.00	11.20	9.00	101.60



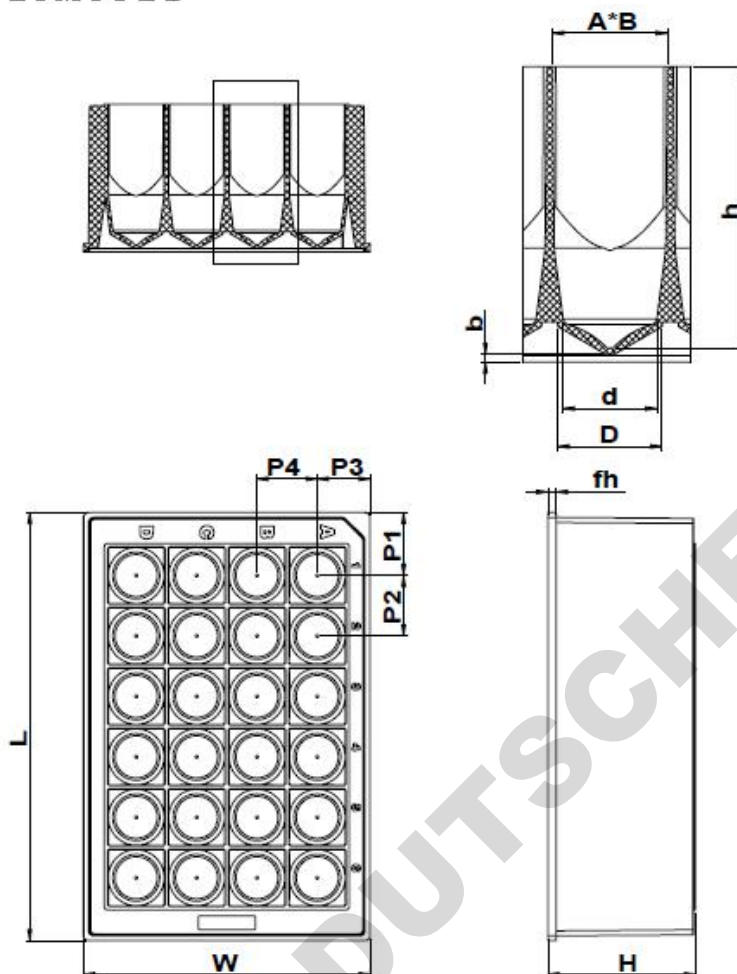
Item	Plate dimension						Well dimension	
	Length		Width		Height		Depth	Edge length
	L	L1	W	W1	H	fh	h	A/B
02-6022	127.00	110.00	85.00	74.00	41.90	4.00	38.60	2.20

Item	Bottom		Position of well center				Theoretical Weight[g]
	radius	Space					
	R	b	P1	P2	P3	P4	
02-6022	4.50	2.20	14.00	9.00	11.00	9.00	90.70



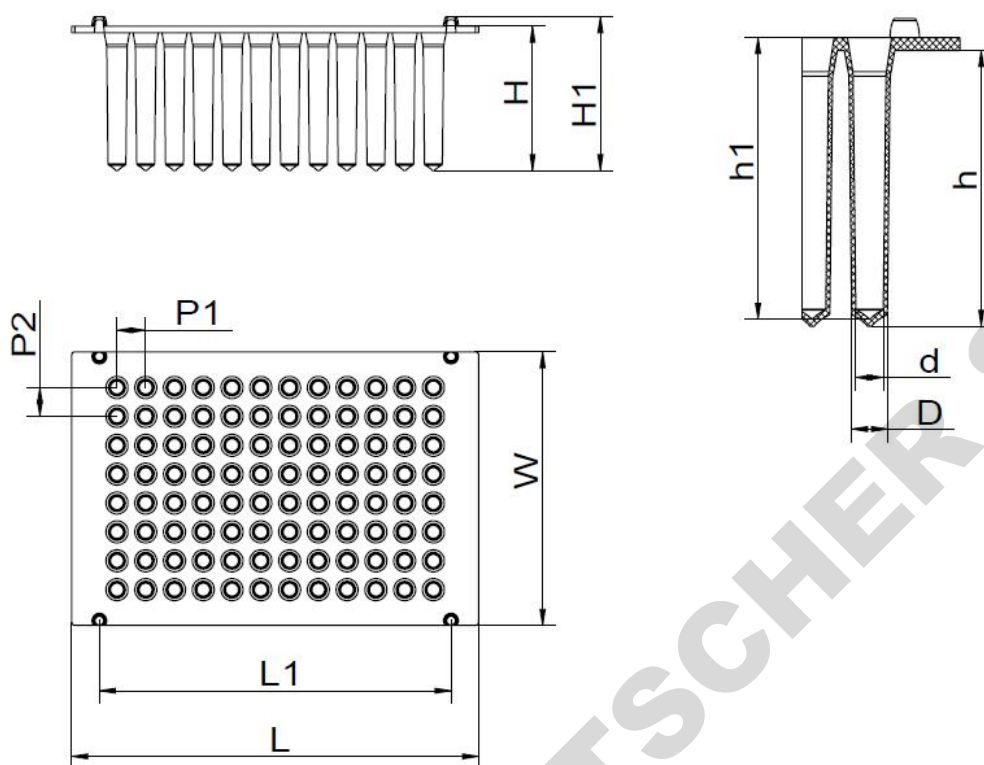
Item	Plate dimension				Well dimension		
	Length	Width	Height		Depth	Edge length	
	L	W	H	fh	h	A	B
02-7022	127.30	85.20	44.20	2.50	42.40	8.20	8.20
02-8005	127.50	85.35	15.10	2.50	13.30	8.20	8.20

Item	Bottom			Position of well center				Theoretical Weight[g]
	ID	OD	Space	P1	P2			
	d	D	b					
02-7022	6.90	8.00	1.20	9.00	9.00			86.00
02-8005	6.90	8.00	1.20	9.00	9.00			29.00



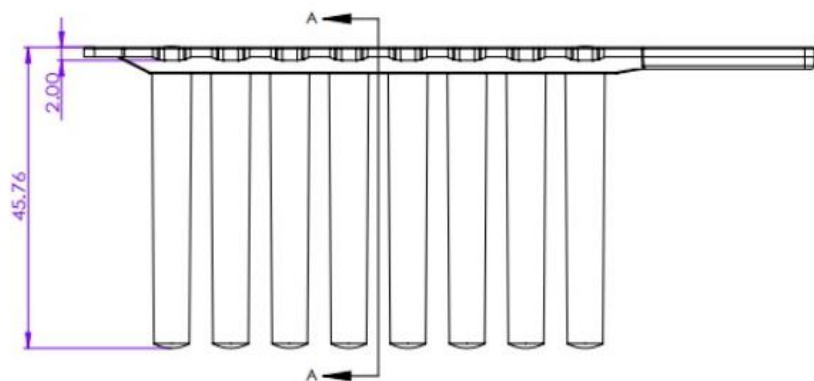
Item	Plate dimension				Well dimension		
	Length	Width	Height		Depth		Edge length
	L	W	H	fh	h	b	B
02-9010	127.50	85.50	44.00	2.50	41.90	1.20	17.10

Item	Bottom		Position of well center				Theoretical Weight[g]
	ID	OD	P1	P2	P3	P4	
	d	D					
02-9010	14.00	15.50	18.75	18.00	15.75	18.00	62.00

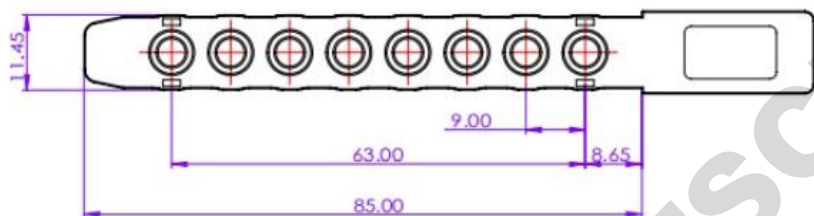


Item	Plate dimension					Well dimension	
	Length		Width	Height		Depth	
	L	L1	W	H	H1	h	h1
02-0096	127.30	110.00	85.30	45.00	48.00	43.00	43.90

Item	Bottom		Position of well center				Theoretical Weight[g]
	ID	OD	P1	P2			
	d	D					
02-0096	4.30	5.60	9.00	9.00			



剖面 A-A



**02-0008**

DOMINIQUE DUTSCHER SAS