



Electrothermal

MODEL PR2000S
(MYLOX PORTABLE/DESKTOP PRINTER)



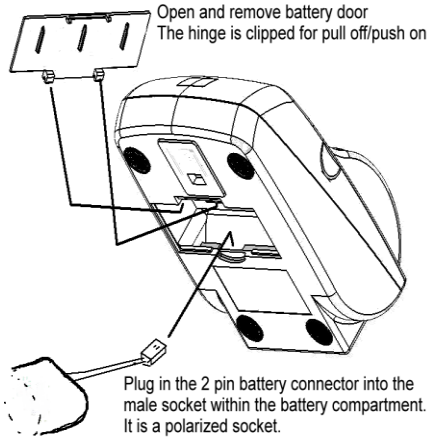
OPERATION:

The printer is powered by an external 12V DC 3.3Amp universal power supply that charges the internal 2200mA Lithium battery pack. The power supply can 'auto switch' to directly power the printer without the battery pack installed or should the battery pack become discharged.

The printer can also operate from a 12V DC vehicle aux. output.



CONNECTING THE BATTERY



The battery pack included will have only a limited charge on installation. We recommend ensuring an initial 8 to 12hr charge be provided using the included power supply. The printer can be used during the charging period.

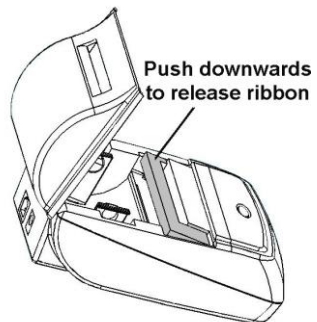
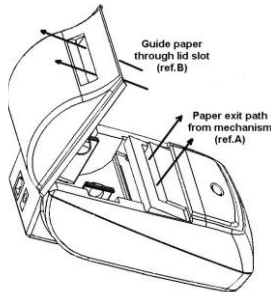
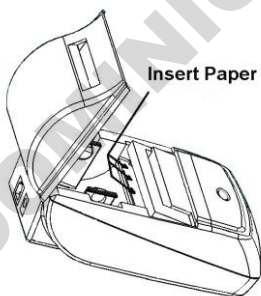
USING THE PRINTER



Paper Feed Button
2 color LED indicator

Green	Power on
Amber	Error
Off	Printer Off (in sleep mode)

Replacing the paper and ribbon



A single 'tap' of the paper feed button wakes the printer during battery save mode.

When the Paper feed button is pressed it will advance the paper until released. The paper feed button is disabled during a print cycle. If the button is 'double clicked' with the printer in an 'awake' status the printer will enter the self-test mode.

Replacement paper & ribbon specification

	PR2000S	Ribbon
Type	Impact 'Bond'	
Paper Width	58 mm	
Paper Thickness	70±5 µm	ERC-09
Outer Diameter	46 mm	
Inner Core	12.5 mm	
Part Number	AT4044	

Serial Data Cable Connection

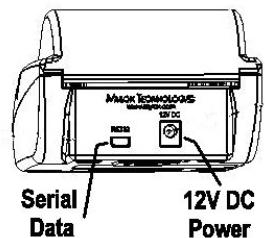
The printer is supplied with a dedicated serial data cable featuring an 8pin sub-mini connector. This is the same shape as the mini USB connector that uses a 5 pin configuration.

DO NOT USE A SUB-MINI USB CABLE

- It will not fit!

The D9 connector has the following pin signals suitable for PC connection.

Pin No.		Signal Name	Function
Printer	Host		
1	3	RxD	Receive Data
2	2	TxD	Transmit Data
3	7	CTS	Clear to Send
4	8	RTS	Ready to Send
5	5	GND	Ground
-	4	DTR	Linked in D9 connector.
-	6	DSR	Not used by printer.



Full technical data available by contacting info@bibby-scientific.com

Operating Precaution

When using the Printer

- Be careful not to drop or bump the printer on a hard surface.
- Suitable environment for the use of the printer is as follows:
 - Operating temperature : 0°C to 50°C
 - Relative humidity : 10% to 80% (No condensation)
- Do not open the printer cover during printing.
- Do not remove or reinstall the communication cable during printing or transmission.
- Do not remove or reinstall the paper or ribbon during printing or data transmission.
- When possible switch the POWER OFF when not in use.
- Do not use alcohol or other solvent when cleaning.

TROUBLESHOOTING

Check the following points before you make a request for repair.

The correct voltage is being supplied to the printer.

The Status LED is green.

The printer has paper and that the roll is correctly fitted.

Baud Rate & Comms protocol is correctly configured to the host equipment –

Parameters can be verified on the Self-Test print.

(Default Baud rate for printer is 9600Bd, 8,N,1. Hardware handshaking)

Initial diagnostic assistance can be provided over the phone by contacting

Mylox Technologies, Inc. www.mylox.com

CAUTION:

Replace paper roll when the roll starts to show a continuous red line. This indicates only 3 to 5 ft. of paper remains on the roll.

It is recommended that the ribbon cassette is replaced after every third roll of paper to ensure maximum mechanism life and ongoing print quality.

Use of non-standard paper or ribbons may invalidate the printer warranty.